

Signetics

Integrated Circuits – Voltage Regulators

LM340 Series – Positive Voltage Regulators

GENERAL DESCRIPTION

The LM340 series of 3-terminal regulators is available with several fixed output voltages making them useful in a wide range of applications. One of these is local on card regulation, eliminating the distribution problems associated with single point regulation. The voltages available allow these regulators to be used in logic systems, instrumentation, HiFi, and other solid state electronic equipment. Although designed primarily as fixed voltage regulators these devices can be used with external components to obtain adjustable voltages.

FEATURES

- Output current in excess of 1A
- Internal thermal overload protection
- No external components required
- Output transistor safe area protection
- Internal short circuit current limit
- Available in plastic TO-220 and metal TO-3 packages

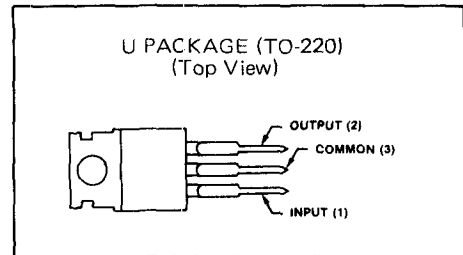
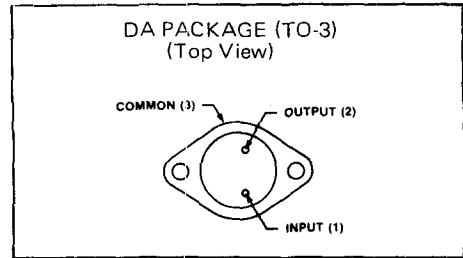
MAXIMUM RATINGS

PARAMETER	RATING	UNIT
Input voltage		
$V_0 = 5V$ through 18V	35	V
$V_0 = 24V$	40	V
Internal power dissipation ¹	Internally limited	
	0 to 70	°C
Operating temperature range		
Maximum junction temperature		
TO-3 package	150	°C
TO-220 package	150	°C
Storage temperature range	-65 to +150	°C
Lead temperature		
TO-3 package (soldering 10sec)	300	°C
TO-220 package (soldering 10sec)	230	°C

NOTE

1. Thermal resistance without a heat sink for junction to case temperature is 4°C/W for the TO-3 package and 6°C/W for the TO-220 package. Thermal resistance for case to ambient temperature is 35°C/W for the TO-3 package and 50°C/W for the TO-220 package.

CONNECTION DIAGRAM



REFERENCE TABLE

TYPE NO.	STOCK NO.	OUTLINE DRWG. NO.
LM340-5DA	56097B	14
LM340-5U	56098X	16
LM340-6DA	56099R	14
LM340-6U	56100X	16
LM340-8DA	56101R	14
LM340-8U	56102G	16
LM340-12DA	56103E	14
LM340-12U	56104C	16
LM340-15DA	56105A	14
LM340-15U	56106X	16
LM340-18DA	56107H	14
LM340-18U	56108F	16
LM340-24DA	56109D	14
LM340-24U	56110G	16

ITT GEMINI

FOR CURRENT PRICES PHONE
HARLOW (0279) 29644

Signetics

Outline Drawings



GEMINI

FOR CURRENT PRICES PHONE
HARLOW (0279) 29644

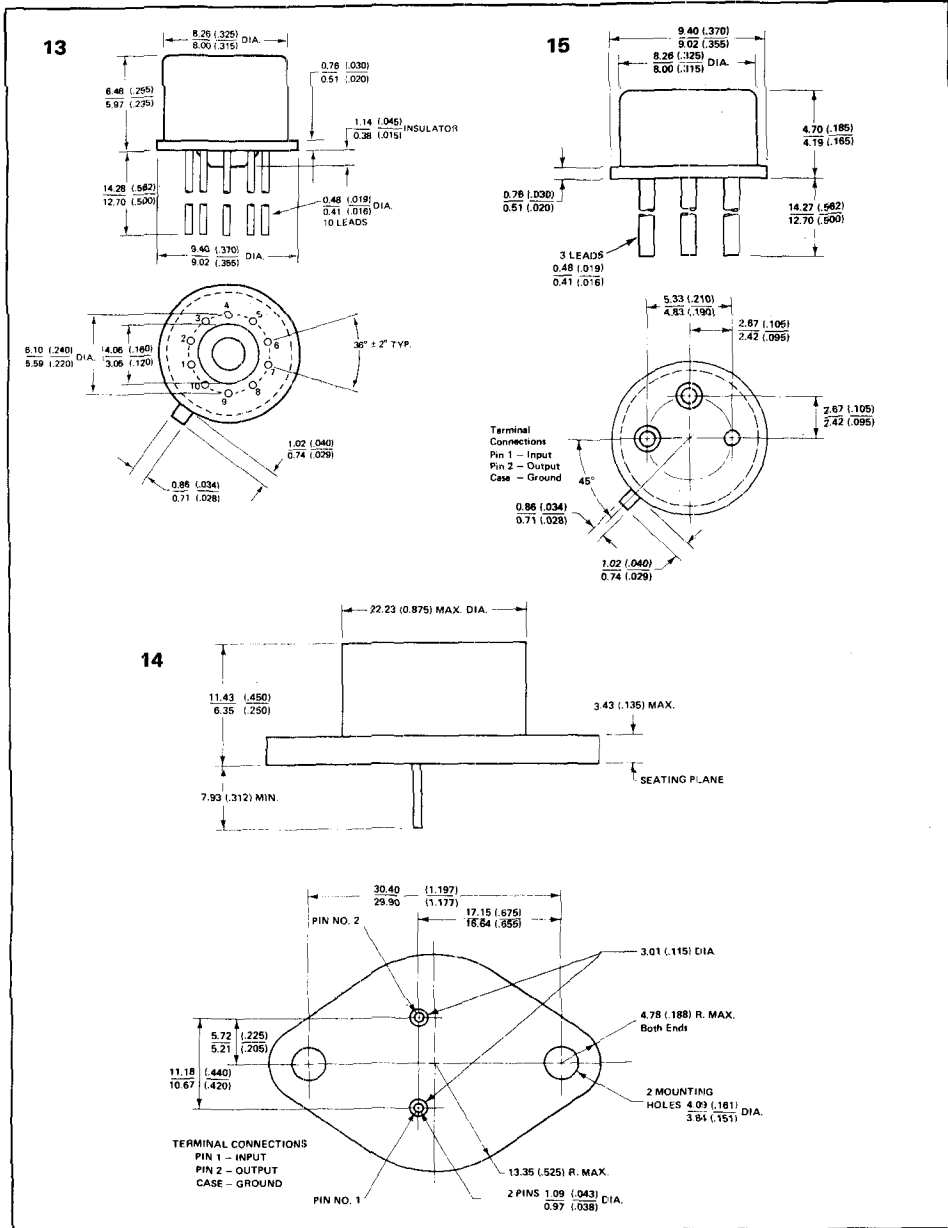


PLEASE QUOTE STOCK NO.
AND MANUFACTURERS PART NO. WHEN ORDERING

ITT GEMINI

Signetics

Outline Drawings



ITT GEMINI

FOR CURRENT PRICES PHONE
HARLOW (0279) 29644

