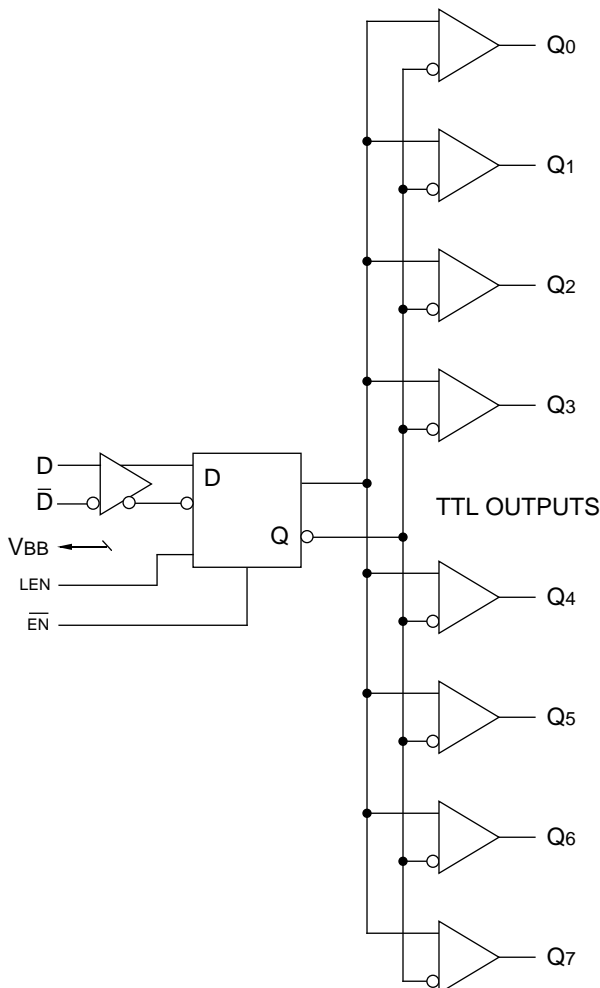


FEATURES

- ECL/TTL version of popular ECLinPS™ E111
- 400ps within device skew
- 800ps part-to-part skew
- Latch
- Differential internal design
- VBB output
- Dual supply
- Reset/Enable
- Multiple TTL and ECL power/ground pins
- Fully compatible with Motorola MC100H643
- Higher performance than H643 versions
- Industrial temperature availability
- Available in 28-pin PLCC package

BLOCK DIAGRAM



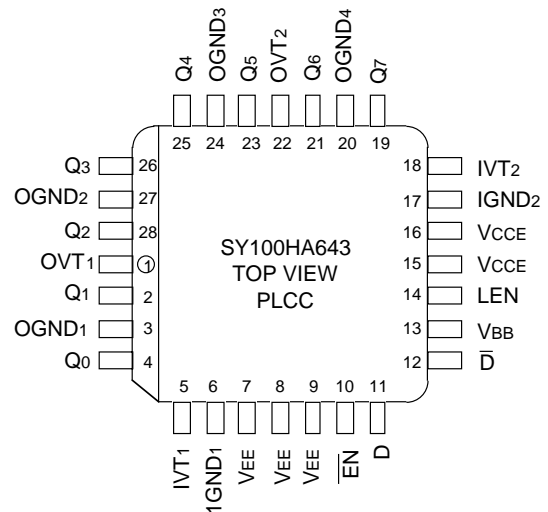
DESCRIPTION

The SY100HA643 is an enhanced dual supply, low skew translating 1:8 clock driver. Devices in the Micrel-Synergy H600 translators series utilize the 28-lead PLCC for optimal power pinning, signal flow through and electrical performance. The dual-supply HA643 is similar to the H641, which is a single-supply 1:9 version of the same function, with higher performance than the H643 versions.

The device features a 48mA TTL output stage, with AC performance specified into a 20pF load capacitance. A Latch is provided on-chip. When LEN is LOW (or left open, in which case it is pulled LOW by the internal pulldowns) the latch is transparent. A HIGH on the enable pin (\overline{EN}) forces all outputs LOW.

The 100HA643 is compatible with 100K ECL logic levels.

PIN CONFIGURATION



PIN NAMES

Pin	Function
OGND	TTL Output Ground (0V)
OVTTL	Output Vcc (+5.0V)
IGND	Internal TTL GND (0V)
IVT	Internal TTL Vcc (+5.0V)
VEE	ECL VEE (-5.2/-4.5V)
VCCE	ECL Ground (0V)
D, \overline{D}	Signal Input (ECL)
VBB	VBB Reference Output
Q0 - Q7	Signal Outputs (TTL)
\overline{EN}	Enable Input (ECL)
LEN	Latch Enable Input (ECL)

TRUTH TABLE

D	LEN	EN	Q
L	L	L	L
H	L	L	H
X	X	H	L

DC CHARACTERISTICS

IVT = OVT = 5.0V ±5%; VEE = -4.2V to -5.5V; VCC = GND

Symbol	Parameter	TA = -40°C		TA = 0°C		TA = +25°C		TA = +85°C		Unit	Condition
		Min.	Max.	Min.	Max.	Min.	Max.	Min.	Max.		
IEE	Power Supply	ECL	—	58	—	58	—	58	—	58	mA VEE Pins Total all OVT and IVT pins
ICCL		TTL	—	83	—	83	—	83	—	83	
ICCH			—	73	—	73	—	73	—	73	
VOH	TTL Output HIGH Voltage	2.5	—	2.5	—	2.5	—	2.5	—	V	IOH = -3.0mA IOH = -15mA
VOL	TTL Output LOW Voltage	—	0.5	—	0.5	—	0.5	—	0.5	V	IOL = 48mA
IOS	TTL Output Short Circuit Current	-80	-200	-80	-200	-80	-200	-80	-200	mA	VOU = 0V
IiH	ECL Input HIGH Current	—	225	—	225	—	175	—	175	μA	
IiL	ECL Input LOW Current	0.5	—	0.5	—	0.5	—	0.5	—	μA	
ViH	ECL Input HIGH Voltage	—	—	-1165	-880	-1165	-880	-1165	-880	mV	
ViL	ECL Input LOW Voltage	—	—	-1810	-1475	-1810	-1475	-1810	-1475	mV	
VBB	ECL Output Reference Voltage	-1380	-1260	-1380	-1260	-1380	-1260	-1380	-1260	mV	

AC CHARACTERISTICS

IVT = OVT = 5.0V ±5%; VEE = -4.2V to -5.5V ; VCCE = GND

Symbol	Parameter	TA = -40°C		TA = 0°C		TA = +25°C		TA = +85°C		Unit	Condition
		Min.	Max.	Min.	Max.	Min.	Max.	Min.	Max.		
t _{IH}	Propagation Delay to Output D LEN EN	2.3	3.1	2.3	3.1	2.3	3.1	2.3	3.1	ns	CL = 20pF
t _{skew}	Within-Device Skew ⁽¹⁾	—	0.4	—	0.4	—	0.4	—	0.4	ns	
t _{PW}	Pulse Width Out ⁽²⁾ HIGH or LOW @ FOUT = 100MHz	4.5	5.5	4.5	5.5	4.5	5.5	4.5	5.5	ns	CL = 20pF
t _S	Setup Time D	0.75	—	0.75	—	0.75	—	0.75	—	ns	
t _H	Hold Time D	0.75	—	0.75	—	0.75	—	0.75	—	ns	
t _{RR}	Recovery Time LEN EN	1.25 1.25	— —	1.25 1.25	— —	1.25 1.25	— —	1.25 1.25	— —	ns ns	
t _{PW}	Minimum Pulse Width LEN EN	1.5 1.5	— —	1.5 1.5	— —	1.5 1.5	— —	1.5 1.5	— —	ns ns	
t _r t _f	Rise / Fall times 0.8V — 2.0V	—	1.5	—	1.5	—	1.5	—	1.5	ns	CL = 20pF
f _{MAX}	Max. Input Frequency ^(3,4)	160	—	160	—	160	—	160	—	MHz	CL = 20pF

NOTES:

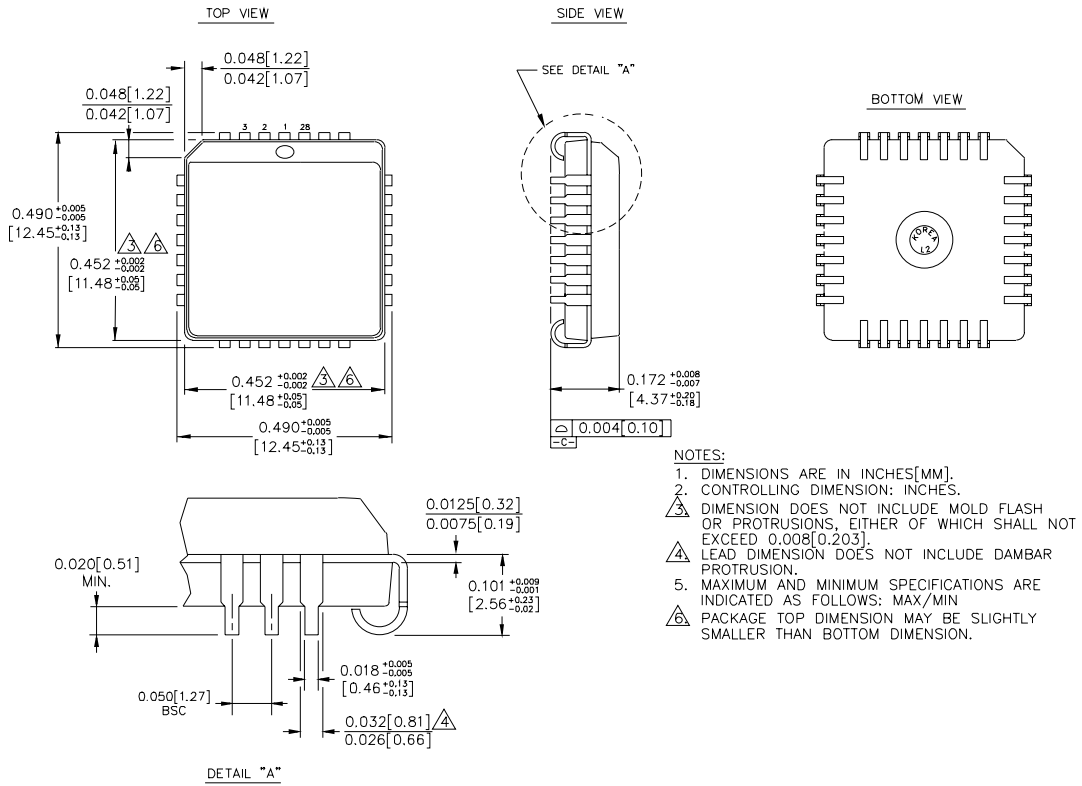
1. Within-Device skew defined as identical transitions on similar paths through a device.
2. Pulse width is defined relative to 1.5V measurement points on the output waveform.
3. Frequency at which output levels will meet a 0.8V to 2.0V minimum swing.
4. The f_{MAX} value is specified as the minimum guaranteed maximum frequency. Actual operational maximum frequency may be greater.

PRODUCT ORDERING CODE

Ordering Code	Package Type	Operating Range
SY100HA643JC	J28-1	Commercial
SY100HA643JCTR	J28-1	Commercial

Ordering Code	Package Type	Operating Range
SY100HA643JI	J28-1	Industrial
SY100HA643JITR	J28-1	Industrial

28 LEAD PLCC (J28-1)



Rev. 03

MICREL-SYNERGY 3250 SCOTT BOULEVARD SANTA CLARA CA 95054 USA

TEL + 1 (408) 980-9191 FAX + 1 (408) 914-7878 WEB <http://www.micrel.com>

This information is believed to be accurate and reliable, however no responsibility is assumed by Micrel for its use nor for any infringement of patents or other rights of third parties resulting from its use. No license is granted by implication or otherwise under any patent or patent right of Micrel Inc.

© 2000 Micrel Incorporated