

SIEMENS

ICs for Communications

ISDN Communication Controller

ICC

PEB 2070

PEF 2070

User's Manual 01.94

PEB 2070; PEF 2070	
Revision History:	01.94
Previous Releases:	06.92
Page	Subjects (changes since last revision)
	Update

Data Classification

Maximum Ratings

Maximum ratings are absolute ratings; exceeding only one of these values may cause irreversible damage to the integrated circuit.

Characteristics

The listed characteristics are ensured over the operating range of the integrated circuit. Typical characteristics specify mean values expected over the production spread. If not otherwise specified, typical characteristics apply at $T_A = 25\text{ °C}$ and the given supply voltage.

Operating Range

In the operating range the functions given in the circuit description are fulfilled.

For detailed technical information about “**Processing Guidelines**” and “**Quality Assurance**” for ICs, see our “**Product Overview**”.

Edition 01.94

This edition was realized using the software system FrameMaker®.

Published by Siemens AG, Bereich Halbleiter, Marketing-Kommunikation, Balanstraße 73, D-81541 München

© Siemens AG 1994. All Rights Reserved.

As far as patents or other rights of third parties are concerned, liability is only assumed for components, not for applications, processes and circuits implemented within components or assemblies.

The information describes the type of component and shall not be considered as assured characteristics.

Terms of delivery and rights to change design reserved.

For questions on technology, delivery, and prices please contact the Offices of Semiconductor Group in Germany or the Siemens Companies and Representatives worldwide (see address list).

Due to technical requirements components may contain dangerous substances. For information on the type in question please contact your nearest Siemens Office, Semiconductor Group.

Siemens AG is an approved CECC manufacturer.

Packing

Please use the recycling operators known to you. We can also help you - get in touch with your nearest sales office. By agreement we will take packing material back, if it is sorted. You must bear the costs of transport.

For packing material that is returned to us unsorted or which we are not obliged to accept, we shall have to invoice you for any costs incurred.

Table of Contents		Page
1	Features	7
1.1	Pin Configuration	8
1.2	Pin Definitions and Functions	9
1.3	Logic Symbol	13
1.4	Functional Block Diagram	14
1.5	System Integration	15
1.5.1	ISDN Applications	15
1.5.2	Other Applications	19
1.5.3	Microprocessor Environment	20
2	Functional Description	21
2.1	General Functions and Device Architecture	21
2.2	Serial Interface Modes	22
2.2.1	IOM®-1 Mode (IMS = 0, DIM2 = 0)	23
2.2.2	IOM®-2 Mode (IMS = 1)	25
2.2.3	HDLC Controller Mode (IMS = 0, DIM2 = 1)	26
2.3	Interfaces	26
2.3.1	mP Interface	27
2.3.2	ISDN Oriented Modular (IOM®) Interface	28
2.3.3	SSI (Serial Port A)	36
2.3.4	SLD	37
2.4	Individual Functions	38
2.4.1	Layer-2 Functions for HDLC	38
2.4.1.1	Message Transfer Modes	39
2.4.1.2	Protocol Operations (auto mode)	41
2.4.1.3	Reception of Frames	42
2.4.1.4	Transmission of Frames	47
2.4.2	B-Channel Switching (IOM®-1)	50
2.4.3	Access to B / IC Channels	52
2.4.4	C/I Channel Handling	57
2.4.5	MONITOR Channel Handling	57
2.4.6	Terminal Specific Functions	62
2.4.7	Test Functions	63
2.4.8	Documentation of the Auto Mode	64
3	Operational Description	91
3.1	Microprocessor Interface Operation	91
3.2	Reset	91
3.3	Initialization	93
3.4	IOM® Interface Connections	95
3.5	Processing	100
3.5.1	Interrupt Structure	100
3.5.2	Data Transfer	103
3.5.2.1	HDLC Frame Reception	107
3.5.2.2	HDLC Frame Transmission	109

Table of Contents		Page
4	Detailed Register Description	112
4.1	HDLC Operation and Status Registers	117
4.1.1	Receive FIFO RFIFO Read Address 00-1FH	117
4.1.2	Transmit FIFO XFIFO Write Address 00-1FH	117
4.1.3	Interrupt Status Register ISTA Read Address 20H	117
4.1.4	Mask Register MASK Write Address 20H	119
4.1.5	Status Register STAR Read Address 2H	119
4.1.6	Command Register CMDR Write Address 2H	120
4.1.7	Mode Register MODE Read/Write Address 22H	121
4.1.8	Timer Register TIMR Read/Write Address 23H	124
4.1.9	Extended Interrupt Register EXIR Read Address 24H	126
4.1.10	Transmit Address 1 XAD1 Write Address 24H	127
4.1.11	Receive Frame Byte Count Low RBCL Read Address 25H	128
4.1.12	Transmit Address 1 XAD2 Write Address 25H	128
4.1.13	Received SAPI Register SAPR Read Address 26H	129
4.1.14	SAPI1 Register SAP1 Write Address 26H	129
4.1.15	Receive Status Register RSTA Read Address 27H	130
4.1.16	SAP12 Register SAP2 Write Address 27H	131
4.1.17	TEI1 Register 1 TEI1 Write Address 28H	132
4.1.18	Receive HDLC Control Register RHCR Read Address 29H	132
4.1.19	TEI2 Register TEI2 Write Address 29H	134
4.1.20	Receive Frame Byte Count High RBCH Read Address 30H	134
4.1.21	Status Register 2 STAR2 Read Address 2BH	135
4.2	Special Purpose Registers: IOM-1Mode	135
4.2.1	Serial Port Control Register SPCR Read/Write Address 30H	135
4.2.2	Command/Indication Receive Register CIRR Read Address 31H	137
4.2.3	Command/Indication Transmit Register CIXR Write Address 31H	138
4.2.4	MONITOR Receive Register MOR Read Address 32H	139
4.2.5	MONITOR Transmit Register MOX Write Address 32H	139
4.2.6	SIP Signaling Code Receive SCR Read Address 33H	139
4.2.7	SIP Signaling Code Transmit SSCX Write Address 33H	139
4.2.8	SIP Feature Control Read SFCR Read Address 34H	140
4.2.9	SIP Feature Control Write SFCW Write Address 34H	140
4.2.10	Channel Register 1 C1R Read/Write Address 35H	140
4.2.11	Channel Register 2 C2R ead/Write Address 36H	140
4.2.12	B1 Channel Register B1CR Read Address 37H	141
4.2.13	Synchronous Transfer Control Register STCR Write Address 37H	141
4.2.14	B2 Channel Register B2CR Read Address 38H	142
4.2.15	Additional Feature Register 1 ADF1 Write Address 38H	142
4.2.16	Additional Feature Register 2 ADF2 Read/Write Address 39H	143

Table of Contents		Page
4.3	Special Purpose Registers: IOM-2 Mode	144
4.3.1	Serial Port Control Register SPCR Read/Write Address 30H	144
4.3.2	Command/Indication Receive 0 CIR0 Read Address 31H	146
4.3.3	Command/Indication Transmit 0 CIX0 Write Address 31H	146
4.3.4	MONITOR Receive Channel 0 MOR0 Read Address 32H	147
4.3.5	MONITOR Transmit Channel 0 MOX0 Write Address 32H	148
4.3.6	Command/Indication Receive 1 CIR1 Read Address 33H	148
4.3.7	Command/Indication Transmit 1 CIX1 Write Address 33H	148
4.3.8	MONITOR Receive Channel 1 MOR1 Read Address 34H	149
4.3.9	Channel Register 1 C1R Read/Write Address 35H	149
5	Electrical Characteristics	156
6	Package Outlines	168

Figure 24a until figure 26d are CCITT recommendations for comparison.

IOM[®], IOM[®]-1, IOM[®]-2, SICOFI[®], SICOFI[®]-2, SICOFI[®]-4, SICOFI[®]-4μC, SLICOFI[®], ARCOFI[®], ARCOFI[®]-BA, ARCOFI[®]-SP, EPIC[®]-1, EPIC[®]-S, ELIC[®], IPAT[®]-2, ITAC[®], ISAC[®]-S, ISAC[®]-S TE, ISAC[®]-P, ISAC[®]-P TE, IDEC[®], SICAT[®], OCTAT[®]-P, QUAT[®]-S are registered trademarks of Siemens AG.

MUSAC[™]-A, FALC[™]54, IWE[™], SARE[™], UTPT[™], ASM[™], ASP[™] are trademarks of Siemens AG.

Purchase of Siemens I²C components conveys a license under the Philips' I²C patent to use the components in the I²C-system provided the system conforms to the I²C specifications defined by Philips. Copyright Philips 1983.

Introduction

The transmission and protocol functions in an ISDN basis access can be all be implemented using the CMOS circuits of the ISDN Oriented Modular (IOM[®]) chip set. While three chips, the S Bus interface Circuit SBC (PEB 2080), the ISDN Echo Cancellation circuit IEC (PEB 2090) and the ISDN Burst Controller IBC (PEB 2095) perform the transmission functions in different applications (S and U interface), the ISDN Communication Controller ICC (PEB 2070) acts as the D-channel-link-access protocol controller.

The IOM[®] architecture makes possible a wide range of configurations for the Basic Access, using the basic devices. These configurations essentially differ in the implementation of the layer-1 OSI functions, while the layer-2 functions are provided by the ICC for all configurations.

In addition to that, the PEB 2070 provides the interface to B-channel sources in the terminal and to a peripheral board controller (PEB 2050, 51, 52 etc.) at the exchange.

The HDLC packets of the ISDN D channel are handled by the ICC which transfers them to the associated microcontroller. The ICC has on-chip buffer memories (64 bytes per direction) for the temporary storage of data packets. Because of the overlapping I/O operations the maximum length of the D-channel packets is not limited. In one of its operating modes the device offers high level support of layer-2 functions of the LAPD protocol.

Aside from ISDN applications, the ICC can be used as a general purpose communication controller in all applications calling for LAPD, LAPB or other HDLC/SDLC based protocols.

ISDN Communication Controller (ICC)

PEB 2070
PEF 2070

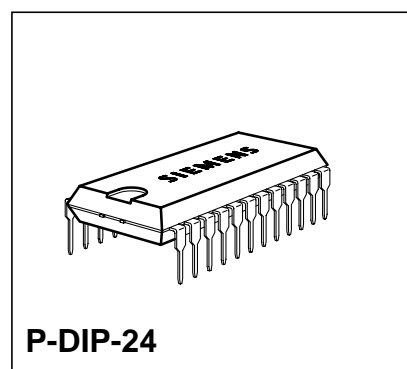
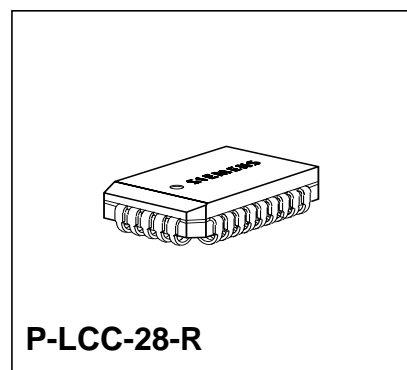
Preliminary Data

CMOSIC

1 Features

- Support of LAPD protocol
- Different types of operating modes for increased flexibility
- FIFO buffer (2 x 64 bytes) for efficient transfer of data packets
- Serial interfaces: IOM[®]-1, SLD, SSI
IOM[®]-2
- General purpose HDLC communication interface
- Implementation of IOM-1/IOM-2 MONITOR and C/I channel protocol to control layer 1 and peripheral devices
- D-channel access with contention resolution mechanism
- μ P access to B channel and intercommunication channels
- B-channels switching
- Watchdog timer
- Test loops
- Advanced CMOS technology
- Low power consumption:

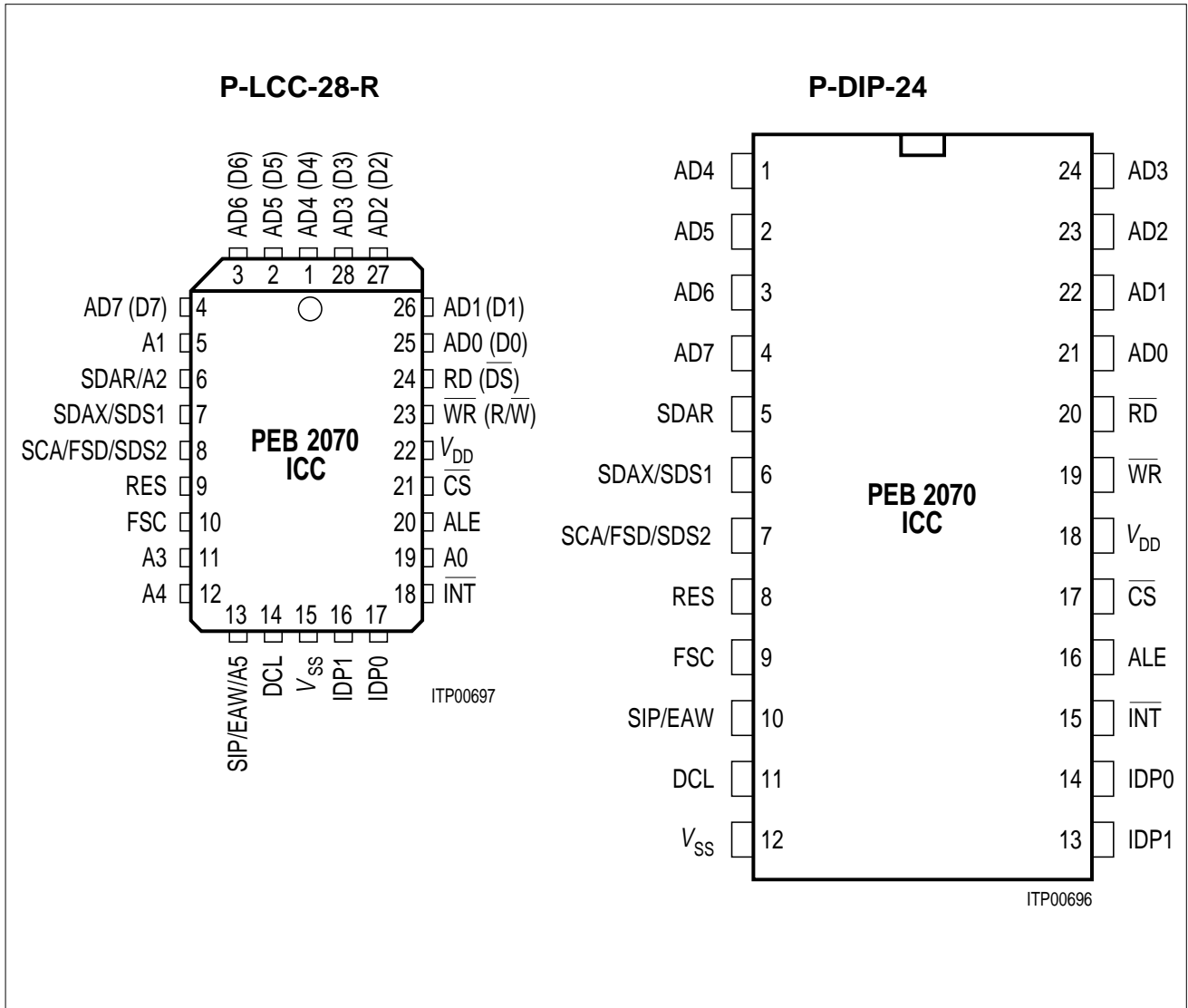
active	: 17 mW	(IOM-2)
	: 8 mW	(IOM-1)
standby	: 3 mW	



Type	Ordering Code	Package
PEB 2070-N	Q67100-H6213	P-LCC-28-R (SMD)
PEB 2070-P	Q67100-H6212	P-DIP-24
PEF 2070-N	H67100-H6246	P-LCC-28-R (SMD)

1.1 Pin Configuration

(top view)



1.1 Pin Definitions and Functions

Pin No. P-DIP	Pin No. P-LCC	Symbol	Input (I) Output (O)	Function
21	25	AD0/D0	I/O	Multiplexed Bus Mode: Address/Data bus. Transfers addresses from the μ P system to the ICC and data between the μ P system and the ICC. Non Multiplexed Bus Mode: Data bus. Transfers data between the μ P system and the ICC.
22	26	AD1/D1	I/O	
23	27	AD2/D2	I/O	
24	28	AD3/D3	I/O	
1	1	AD4/D4	I/O	
2	2	AD5/D5	I/O	
3	3	AD6/D6	I/O	
4	4	AD7/D7	I/O	
17	21	\overline{CS}	I	Chip Select. A "Low" on this line selects the ICC for read/write operation.
–	23	R/W	I	Read/Write. When "High", identifies a valid μ P access as a read operation. When "Low", identifies a valid μ P access as a write operation (Motorola bus mode). Write. This signal indicates a write operation (Siemens/Intel bus mode).
19	23	\overline{WR}	I	
–	24	\overline{DS}	I	Data Strobe. The rising edge marks the end of a valid read or write operation (Motorola bus mode). Read. This signal indicates a read operation (Siemens/Intel bus mode).
20	24	\overline{RD}	I	
15	18	\overline{INT}	OD	Interrupt Request. The signal is activated when the ICC request an interrupt. It is an open drain output.
16	20	ALE	I	Address Latch Enable. A high on this line indicates an address on the external address bus (Multiplexed bus typ only).

Pin Definitions and Functions (cont'd)

Pin No. P-DIP	Pin No. P-LCC	Symbol	Input (I) Output (O)	Function
7	8	SCA	O	Serial Clock Port A , IOM-1 timing mode. A 128-kHz data clock signal for serial portA (SSI).
7	8	FSD	O	Frame Sync Delayed , IOM-1 timing mode1. An 8-kHz synchronization signal, delayed by 1/8 of a frame, for IOM-1 is supplied. In this mode a minimal round-trip delay for B1 and B2 channels is guaranteed.
7	8	SDS2	O	Serial Data Strobe 2 , IOM-2 mode. A programmable strobe signal, selecting either one or two B or IC channels on IOM-2 interface, is supplied via this line. After reset, SCA/FSD/SDS2 takes on the function of SDS2 until a write access to SPCR is made.
8	9	RES	I/O	Reset . A "High" on this input forces the ICC into reset state. The minimum pulse length is four clock periods. If the terminal specific functions are enabled, the ICC may also supply a reset signal.
9	10	FSC	I	Frame Sync . Input synchronization signal. IOM-2 mode: Indicates the beginning of IOM frame. IOM-2 mode: Indicates the beginning of IOM and, if TSF = 0, frame (timing mode 0). Indicates the beginning of SLD frame (timing mode 1). HDLC-mode: Strobe signal of programmable polarity.

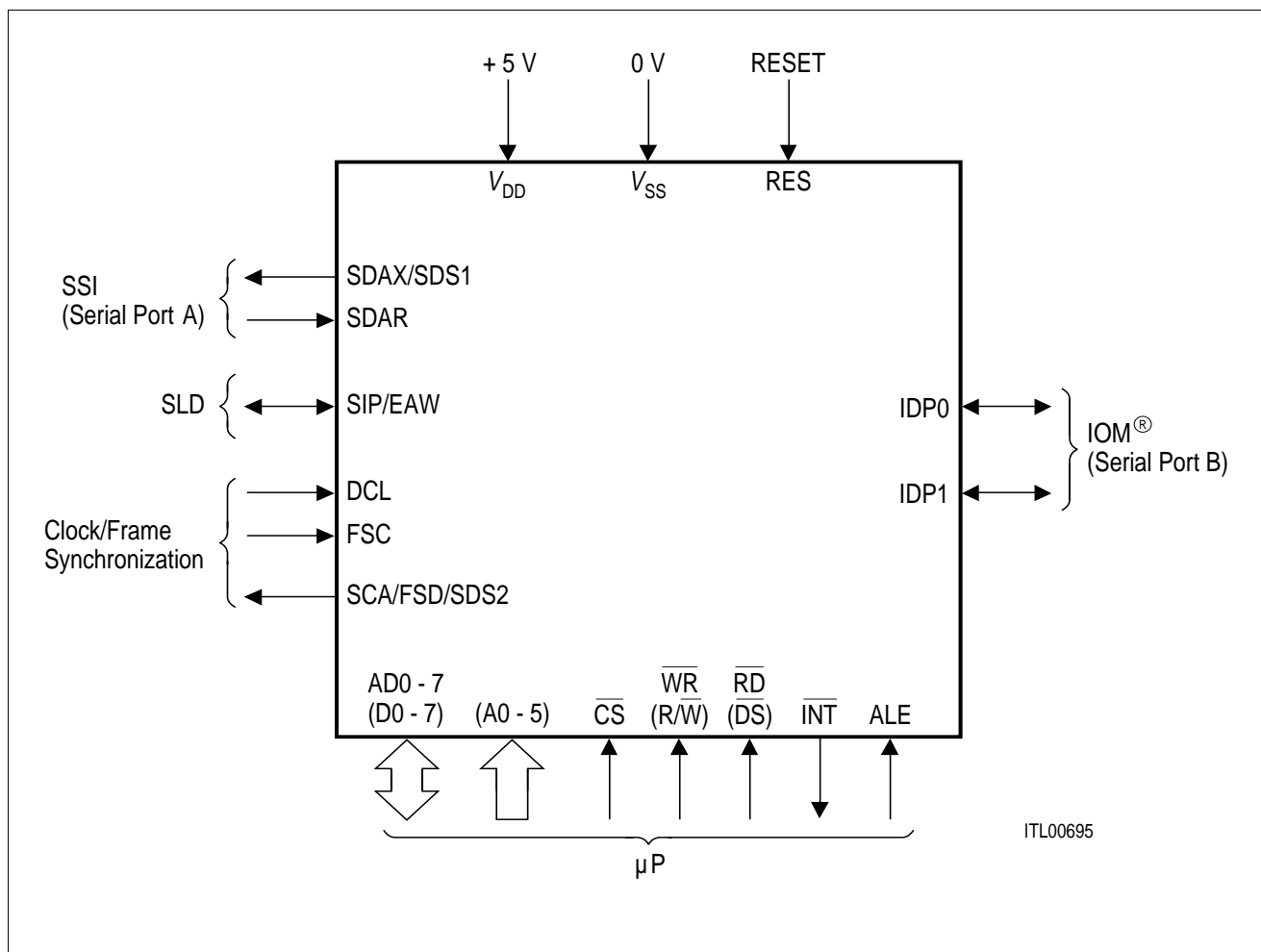
Pin Definitions and Functions (cont'd)

Pin No. P-DIP	Pin No. P-LCC	Symbol	Input (I) Output (O)	Function
11	14	DCL	I	Data Clock. IOM modes: Clock of the frequency equal to twice the data on the IOM interface. HDLC mode: Clock of frequency equal to the data on serial port B.
	19	A0	I	Address bit 0 (Non-multiplexed bus type).
	5	A1	I	Address bit 1 (Non-multiplexed bus type).
6	6	A2	I	Address bit 2 (Non-multiplexed bus type)
	6	SDAR	I	Serial Data Port Receive. Serial data is received on this pin at standard TTL or CMOS level. An integrated pull-up circuit enables connection of an open-drain/ open collector driver without an external pull-up resistor. SDAR is used only if IOM-1 mode is selected.
	11	A3	I	Address bit 3 (Non-multiplexed bus type).
	12	A4	I	Address bit 4 (Non-multiplexed bus type).
	13	A5	I	Address bit 5 (Non-multiplexed bus type).
10	13	SIP	I/O	SLD Interface Port , IOM-1 mode. This line transmits and receives serial data at standard TTL or CMOS levels.
10	13	EAW	I	External Awake (terminal specific function). If a falling edge on this input is detected, the ICC generates an interrupt and, if enabled, a reset pulse..

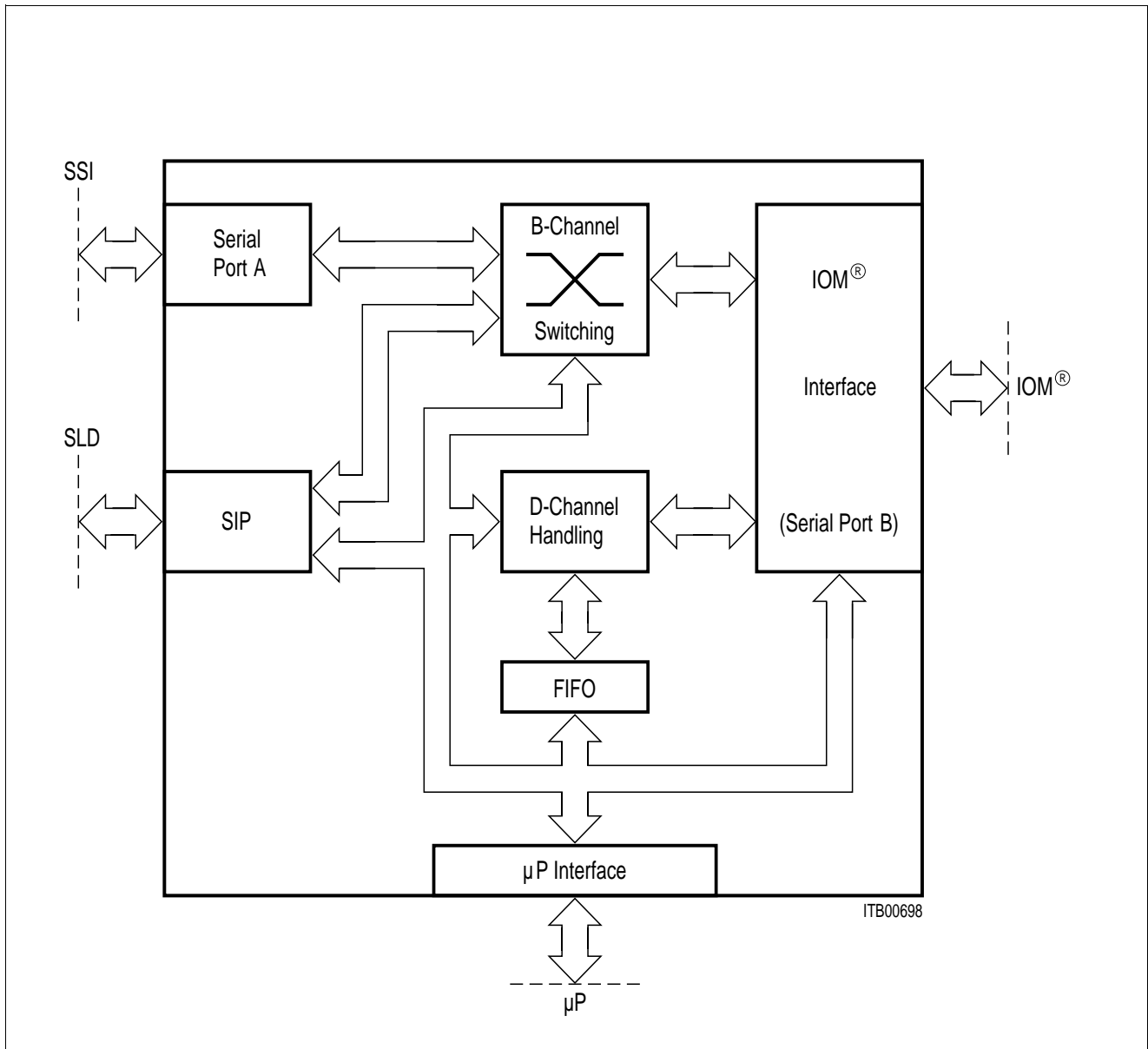
Pin Definitions and Functions (cont'd)

Pin No. P-DIP	Pin No. P-LCC	Symbol	Input (I) Output (O)	Function
6	7	SDAX	0	Serial Data Port A transmit, IOM-1 mode. Transmit data is shifted out via this pin at standard TTL or CMOS levels.
6	7	SDS1	0	Serial Data Strobe 1 , IOM-2 mode. A programmable strobe signal, selecting either one or two B or IC channels on IOM-2 interface, is supplied via this line. After reset, SDAX/SDS1 takes on the function of SDS1 until a write access to SPCR is made.
12	15	V_{SS}	—	Ground (0 V)
18	22	V_{DD}	—	Power supply (5 V \pm 5%)
14	17	IDP0	I/O	IOM Data Port 0
13	16	IDP1	I/O	IOM Data Port 1

1.2 Logic Symbol



1.3 Functional Block Diagram



1.4 System Integration

1.4.1 ISDN Applications

The reference model for the ISDN basic access according to CCITT I series recommendations consists of

- an exchange and trunk line termination in the central office (ET, LT)
- a remote network termination in the user area (NT)
- a two-wire loop (U interface) between NT and LT
- a four-wire link (S interface) which connects subscriber terminals and the NT in the user area as depicted in **figure 1**.

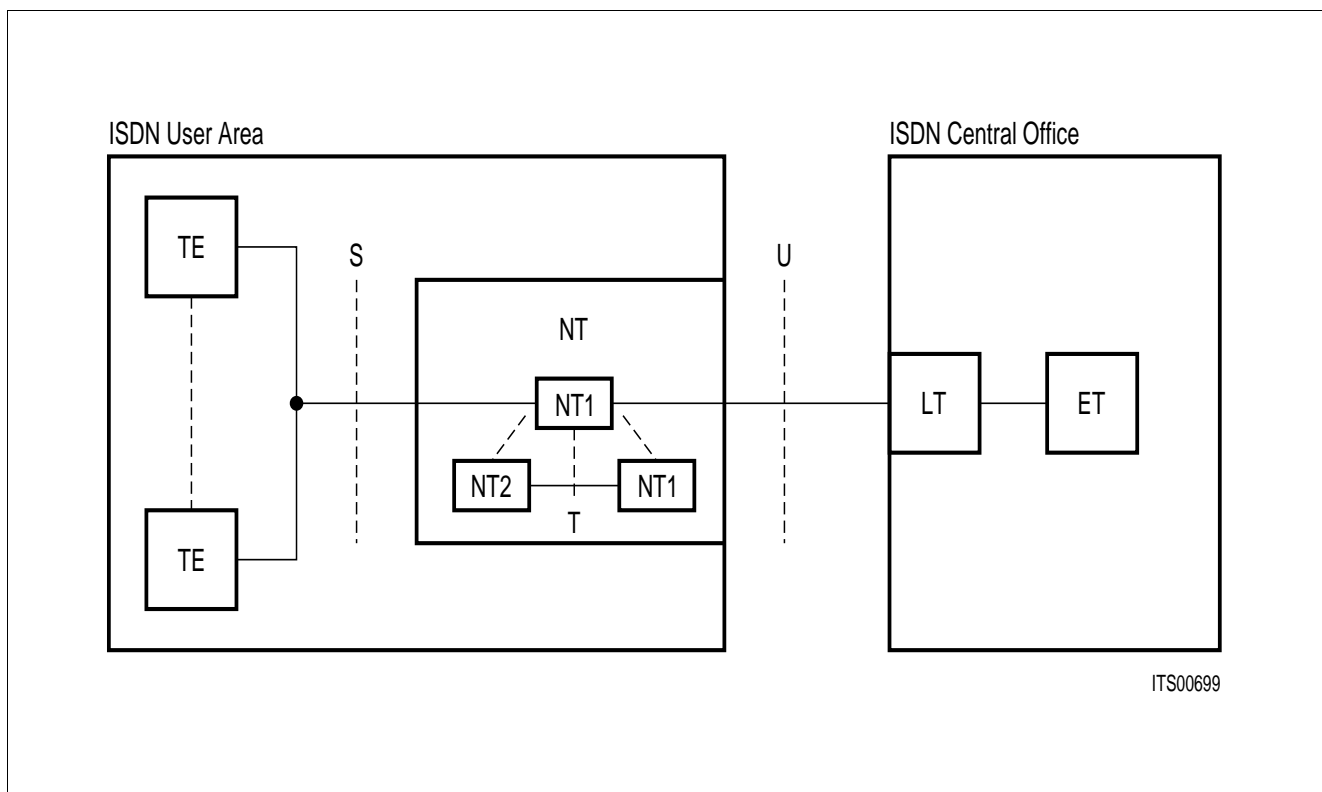


Figure 1
ISDN Subscriber Basic Access Architecture

The NT equipment serves as a converter between the U interface at the exchange and the S interface at the subscriber premises. The NT may consist of either an NT1 only or an NT1 together with an NT2 connected via the T interface which is physically identical to the S interface. The NT1 is a direct transformation between layer 1 of S and layer 1 of U. NT2 may include higher level functions like multiplexing and switching as in a PABX.

In terms of **channels** the ISDN access consists of:

- a number of 64 kbit/s bearer channels ($n \times B$)
 - e.g. $n = 2$ for basic rate ISDN access
 - $n = 30$ or 23 for primary rate ISDN access;
- and a signaling channel (D), either 16 (basic rate) or 64 (primary rate) kbit/s (**figure 2**).

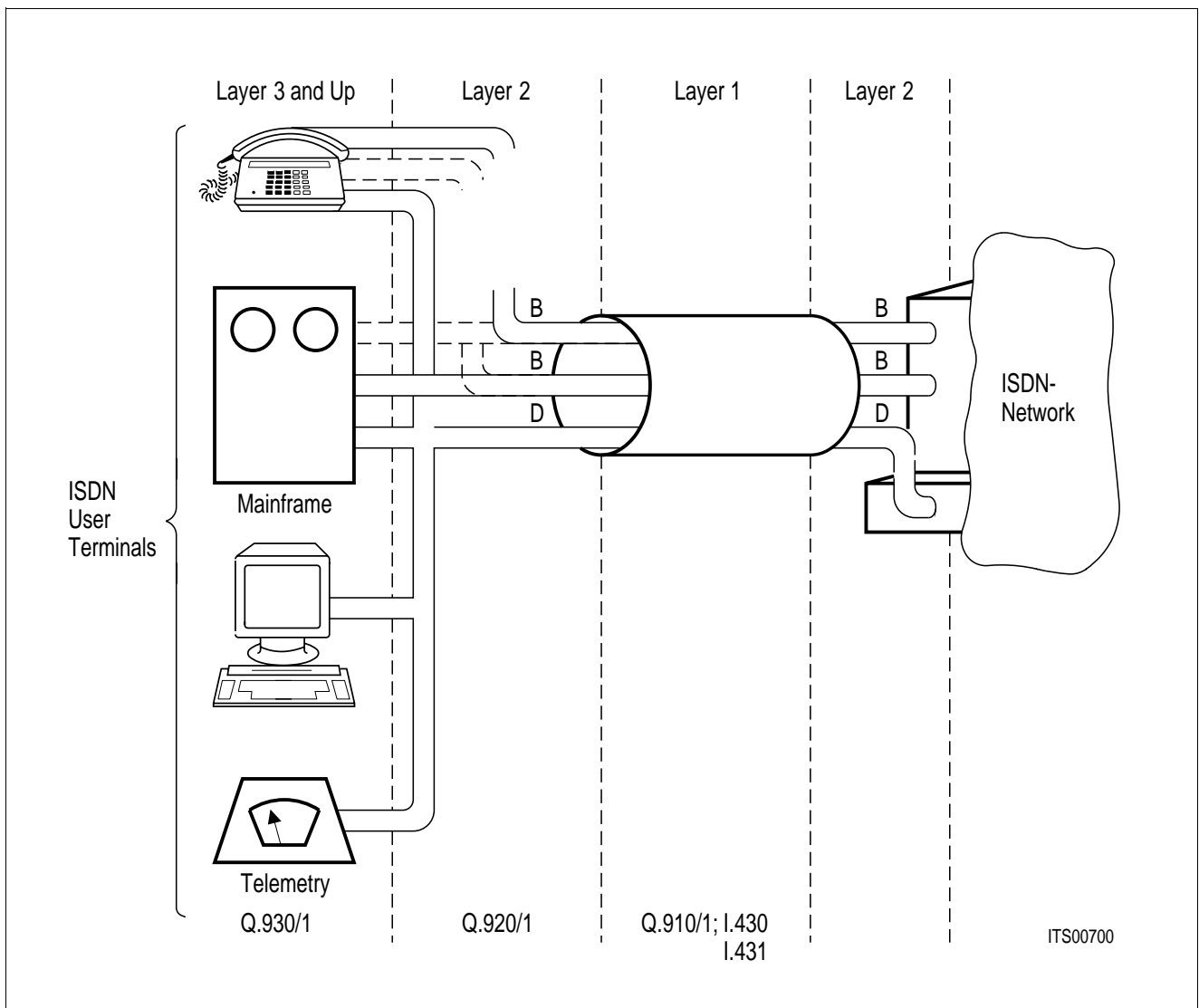


Figure 2
ISDN Basic Access Channel Structure

The B channels are used for end-to-end circuit switched digital connections between communicating stations.

The D channel is used to carry signaling and data via protocols defined by the CCITT. These protocols cover the network services layers of the open system interconnection model (Layers 1-3). At layer 2, the data link layer, an HDLC type protocol is employed, the link access procedure on the D channel LAPD (CCITT Rec. Q. 920/1).

The ISDN Communication Controller PEB 2070 can be used in all ISDN applications involving establishment and maintenance of the data link connection in either the D channel or B channel. It also provides the interface to layer-1 functions controlled via the IOM which links the ICC to any transceiver or peripheral device. Depending on the interface mode, the ICC supports three serial interfaces and offers switching functions and μ P access to voice/ data channels.

The applications comprise:

- Use as a signaling controller for the D channel
- Access to the D channel for data transmission
- Source/ sink for secured B-channel data

and the target equipment include:

- ISDN terminal
- ISDN PABX (NT2) and Central Office (ET) line card
- ISDN packet switches
- “Intelligent” NT1.

Terminal Applications

The concept of the ISDN basic access is based on two circuit-switched 64 kbit/s B channels and a message oriented 64 kbit/s D channel for packetized data, signaling and telemetry information.

Figure 3 shows an example of an integrated **multifunctional ISDN** terminal using the ICC. The transceiver provides the layer-1 connection to the transmission line, either an S or U interface, and is connected to the ICC and other, peripheral modules via the IOM-2 interface.

The D channel, containing signaling data and packet switched data, is processed by the ICC LAPD controller and routed via a parallel μ P interface to the terminal processor. The high level support of the LAPD protocol which is implemented by the ICC allows the use of a low cost processor in cost sensitive applications.

The IOM-2 interface is used to connect diverse voice/data application modules:

- sources/ sinks for the D channel
- sources/ sinks for the B1 and B2 channels.

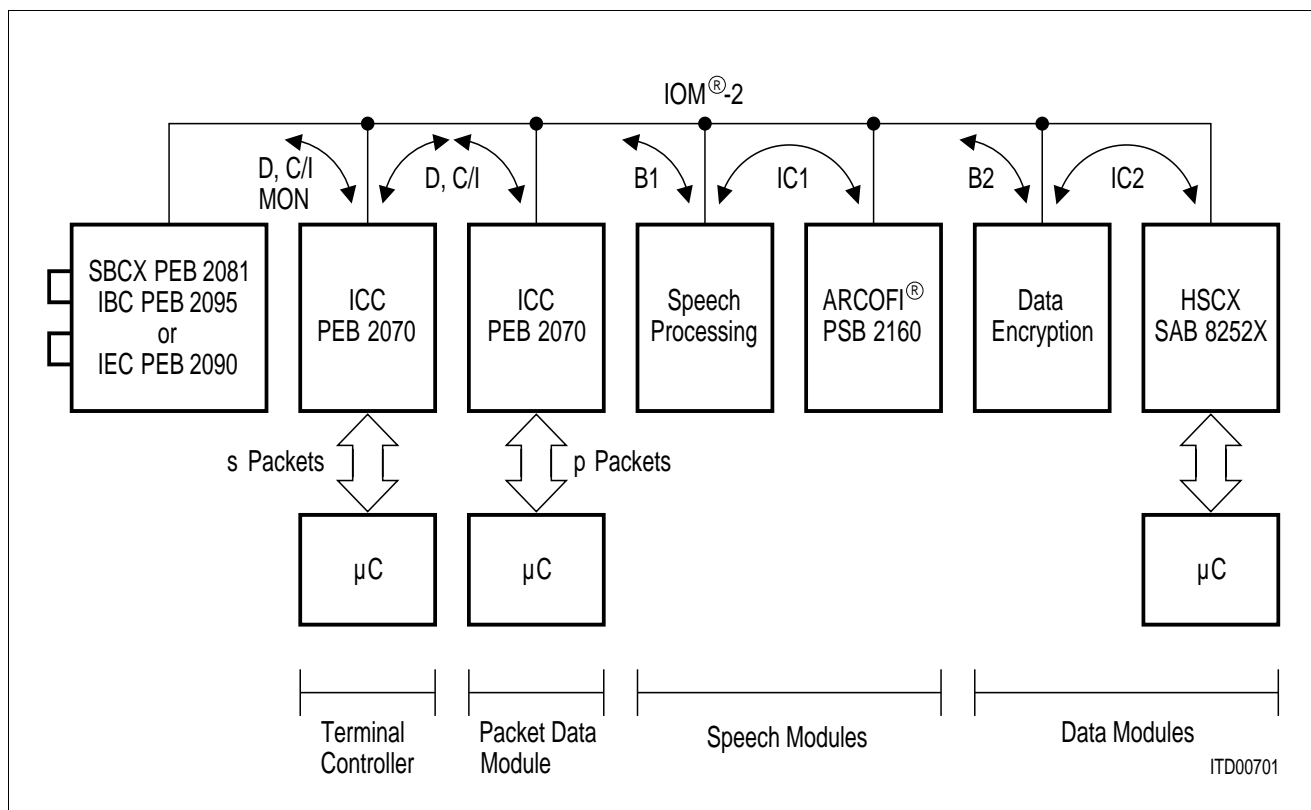


Figure 3
Example of ISDN Voice/Data Terminal

Different D-channel services (for different SAPI's) can be simply implemented by connecting an additional ICC in parallel to the first one, for instance for transmitting p-packets in the D channel.

Up to eight ICCs may thus be connected to the D and C/I (Command/Indication) channels via the TIC bus. The ICCs handle contention autonomously.

Data transfer between the terminal controller and the different modules are done with the help of the IOM-2 MONITOR channel protocol. Each voice/data module can be accessed by an individual address. The same protocol enables the control of terminal modules that do not have an associated microcontroller (such as the Audio Ringing Codec Filter ARCOFI® : PSB 2160) and the programming of intercommunication inside the terminal. Two intercommunication channels IC1 and IC2 allow a 2 x 64 kbit/s transfer rate between voice/data modules.

In the example above (**figure 3**), one ICC is used for data packets in the D channel. A voice processor is connected to a programmable digital signal processing codec filter via IC1 and a data encryption module to a data device via IC2. B1 is used for voice communication, B2 for data communication.

The ICC ensures full upward compatibility with IOM-1 devices. It provides the additional strobe, clock and data lines for connecting standard combos or data devices via IOM, or serial SLD and SSI interfaces. The strobe signals and the switching of B channels is programmable.

Line Card Application

An example of the use of the ICC on an **ISDN LT + ET line card** (decentralized architecture) is shown in **figure 4**.

The transceivers (ISDN Cancellation Circuit IEC: PEB 2090) are connected to an Extended PCM Interface Controller (EPIC[®] PEB 2055) via an IOM interface.

This interface carries the control and data for up to eight subscribers using time division multiplexing. The ICCs are connected in parallel on IOM, one ICC per subscriber.

The EPIC performs dynamic B- and D-channel assignment on the PCM highways. Since this component supports four IOM interfaces, up to 32 subscribers may be accommodated.

1.4.2 Other Applications

If programmed in non-ISDN mode, the ICC serial port B operates as an HDLC communication link without IOM frame structure. This allows the use of the ICC as a general purpose communication controller. The valid HDLC data is marked by a strobe signal on serial port B. Examples of the use of the ICC are: X.25 packet controllers, terminal adaptors, and packet transmission e.g. in primary rate/ DMI systems.

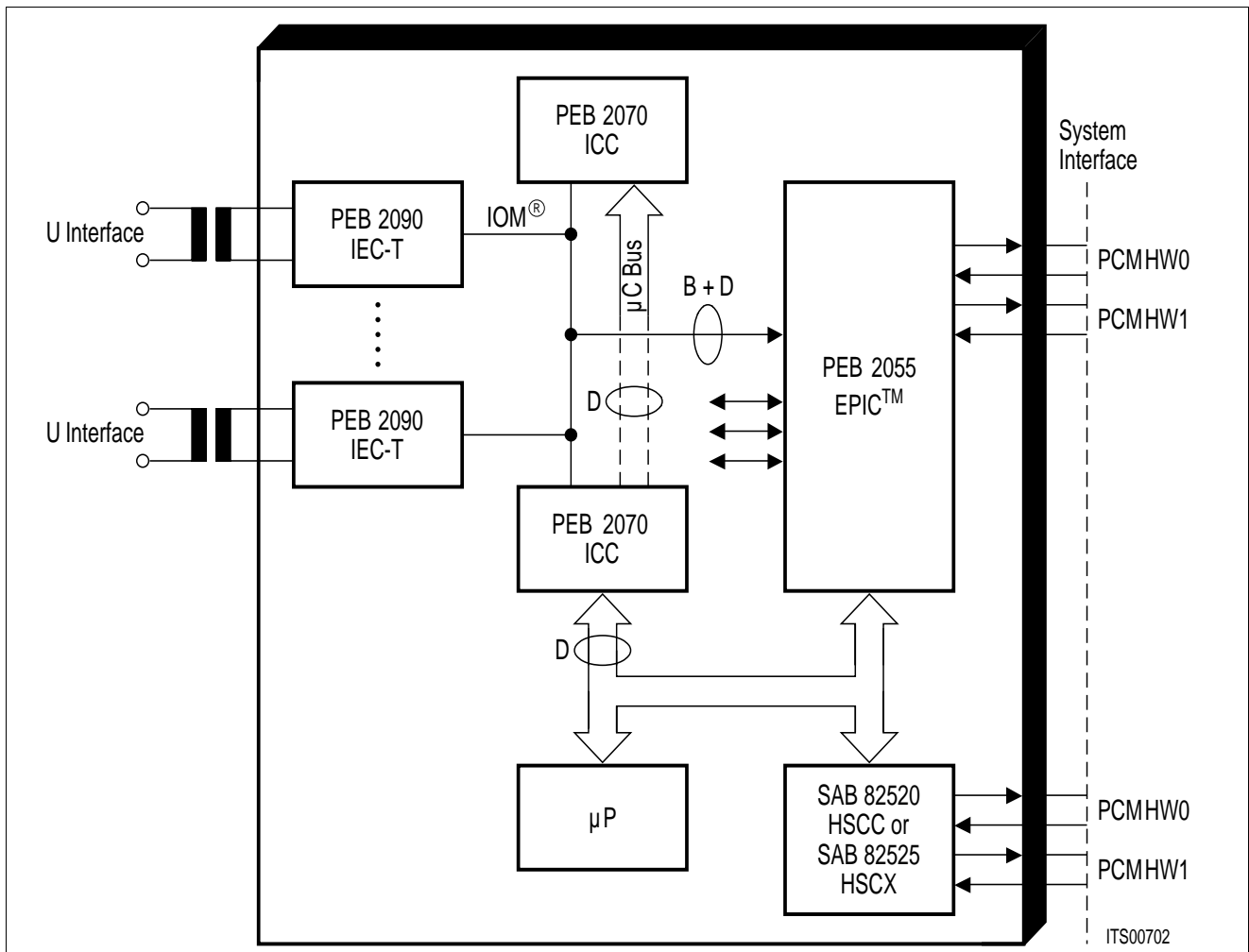


Figure 4
ISDN Line Card Implementation

1.4.3 Microprocessor Environment

The ICC is especially suitable for cost-sensitive applications with single-chip microcontrollers (e.g. SAB 8048 / 8031 / 8051). However, due to its programmable micro interface and non-critical bus timing, it fits perfectly into almost any 8-bit microprocessor system environment. The microcontroller interface can be selected to be either of the Motorola type (with control signals \overline{CS} , R/\overline{W} , \overline{DS}) of the Siemens/Intel non-multiplexed bus type (with control signals \overline{CS} , \overline{WR} , \overline{RD}) or of the Siemens/Intel multiplexed address/data bus type (\overline{CS} , \overline{WR} , \overline{RD} , ALE).

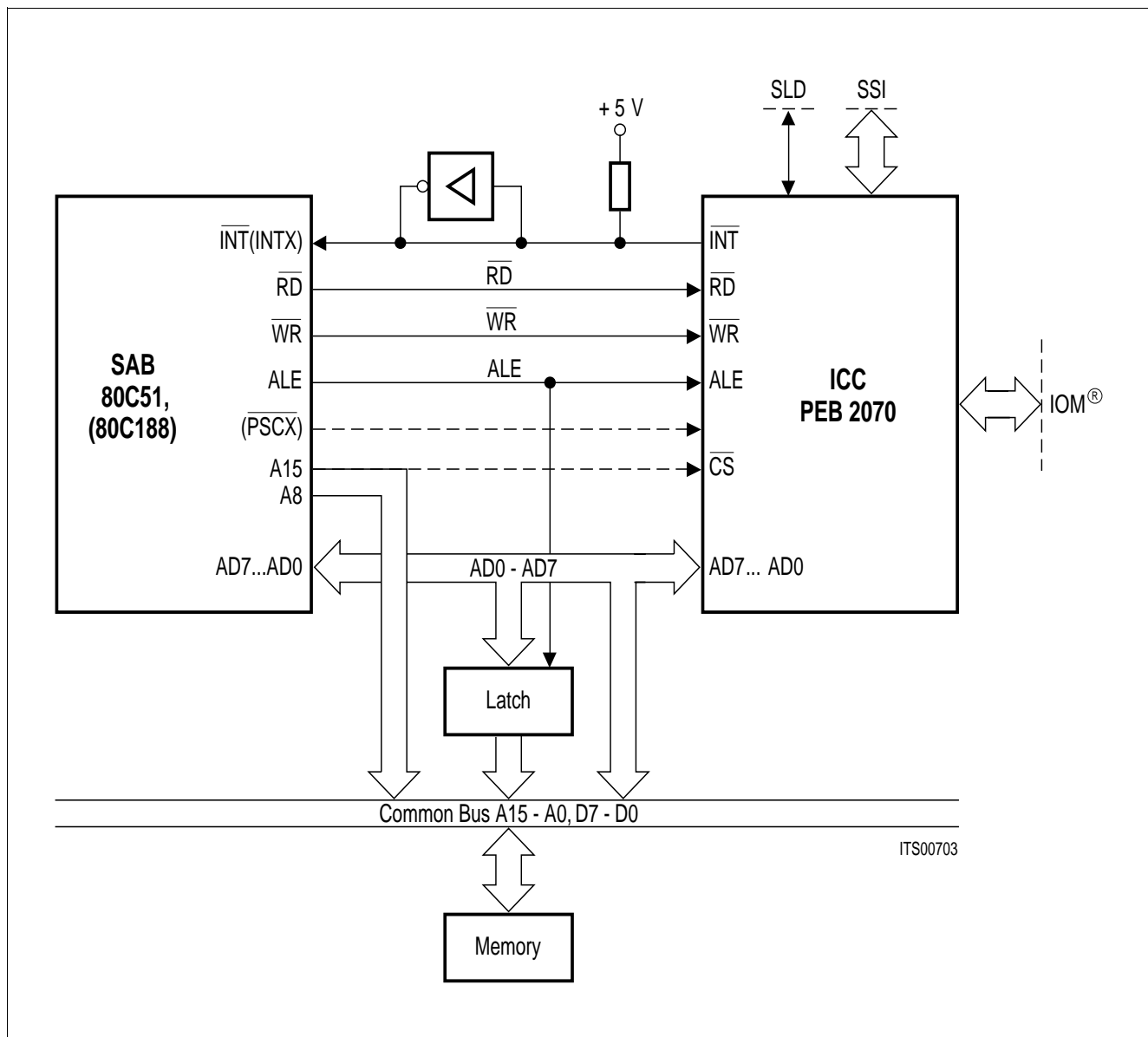


Figure 5
Example of ICC Microcontroller Environment

2 Functional Description

2.1 General Functions and Device Architecture

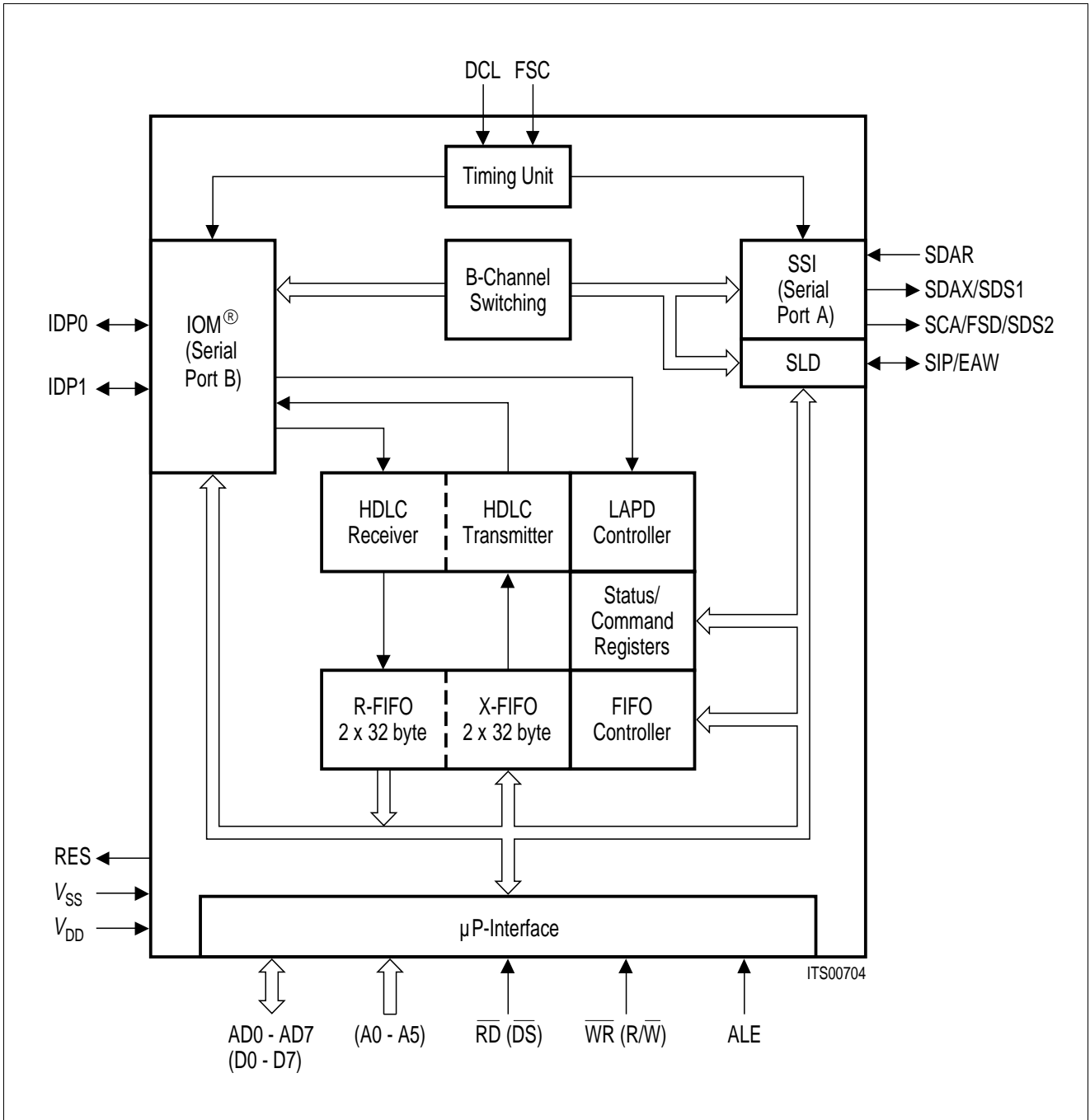


Figure 6 Architecture of the ICC

The functional block diagram in **figure 6** shows the ICC to consist of:

- serial interface logic for the IOM and the SLD and SSI interfaces, with B-channel switching capabilities
- logic necessary to handle the D-channel messages (layer 2)

The latter consists of an HDLC receiver and an HDLC transmitter together with 64-byte deep FIFO's for efficient transfer of the messages to/ from the user's CPU.

In a special HDLC controller operating mode, the auto mode, the ICC processes protocol handshakes (I and S frames) of the LAPD (Link Access Procedure on the D channel) autonomously.

Control and MONITOR functions as well as data transfers between the user's CPU and the D and B channel are performed by the 8-bit parallel μ P interface logic.

The IOM interface allows interaction between layer-1 and layer-2 functions. It implements D-channel collision resolution for connecting other layer-2 devices to the IOM interface, and the C/I and MONITOR channel protocols (IOM-1/IOM-2) to control peripheral devices.

This function is called TIC-Bus-Access-Procedure.

The timing unit is responsible for the system clock and frame synchronization.

2.2 Serial Interface Modes

The PEB 2070 can be used in different modes of operation:

- IOM-1 Mode
- IOM-2 Mode
- HDLC Controller Mode.

These modes are selected via bit IMS (Interface Mode Select) in ADF2 register and bits DIM2-0 (Digital Interface Mode) in MODE register. **See table 1.**

Table 1
Interface Modes

IMS	DIM2	Mode
0	0	IOM-1 Mode
	1	HDLC Mode
1	X	IOM-2 Mode

2.2.1 IOM[®]-1 Mode (IMS = 0, DIM2 = 0)

Serial port B is used as the IOM-1 interface, which connects the ICC to layer-1 component.

The HDLC controller is always connected to the D channel of the IOM-1 interface.

Two additional serial interfaces are available in this mode, the Synchronous Serial Interface SSI (Serial Port A) and the Subscriber Line Datalink (SLD) interface.

The SSI is used especially in ISDN terminal applications for the connection of B-channel sources/sinks. It is available if timing mode 0 (Bit SPM = 0, SPCR register) is programmed.

The SLD is used:

- in ISDN terminal applications for the connection of SLD compatible B-channel devices
- in line card applications for the connection of a peripheral line board controller (e.g. PEB 2050).

The connections of the serial interfaces in both terminal and exchange applications are shown in **figure 7**.

The SSI interface is only available in timing mode 0 (SPM = 0). Timing mode 1 (SPM = 1) is only applicable in exchange applications **figure 7b** and is used to minimize the B channel round-trip delay time for the SLD interface. Refer to **section 2.3.2**.

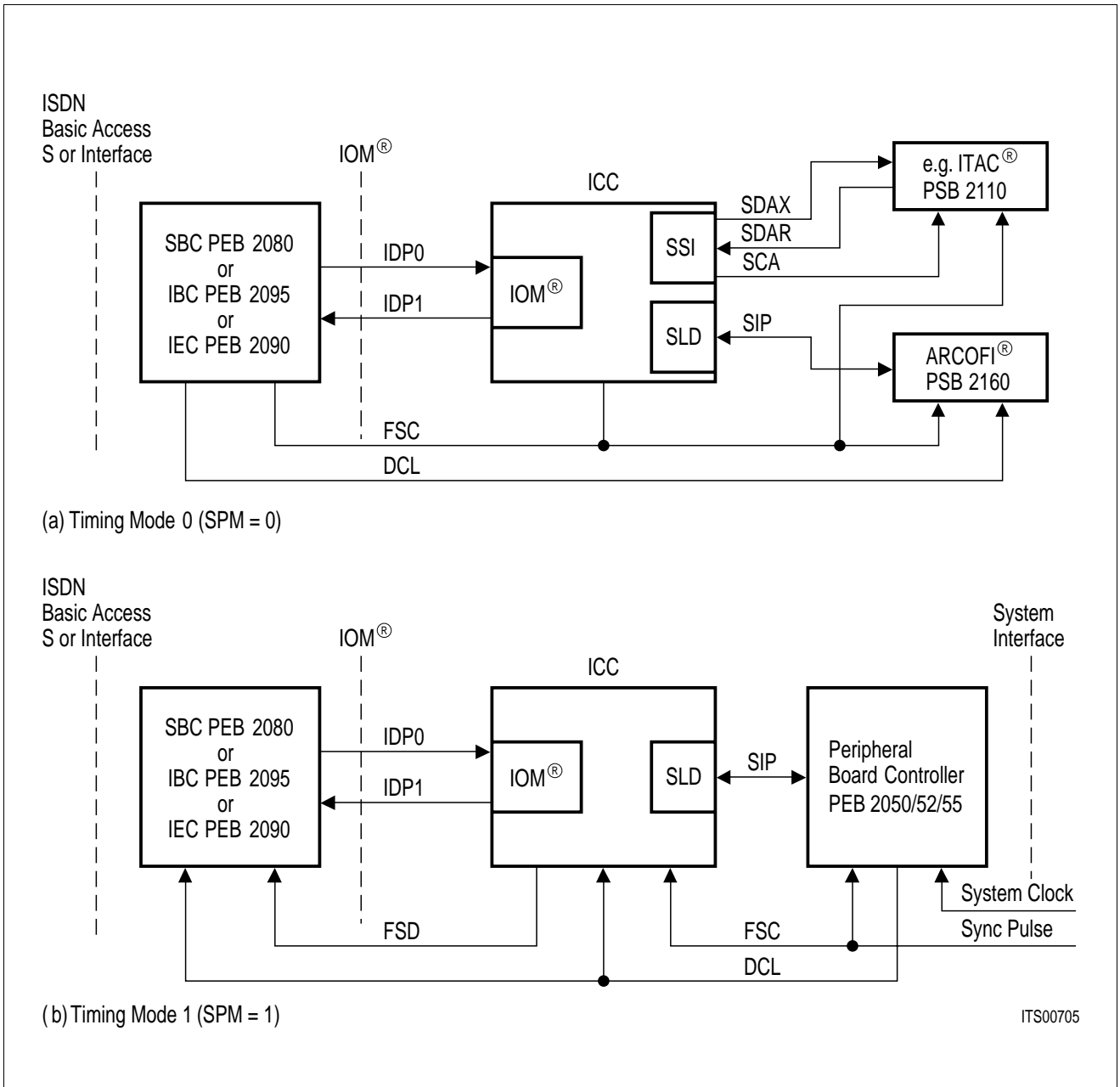


Figure 7
ICC Interfaces in IOM[®]-1 Mode

The characteristics of the IOM interface are determined by bits DIM1, 0 as shown in **table 2**.

Table 2
IOM[®]-1 Interface Mode Characteristics

DIM1	DIM0	Characteristics
0	0	MONITOR channel upstream is used for TIC bus access.
0	1	MONITOR channel upstream is used for TIC bus access. Bit 3 of MONITOR channel downstream is evaluated to control D-channel transmission.
1	0	MONITOR channel is used for TIC bus access and for data transfer.
1	1	MONITOR channel is used for TIC bus access, for data transfer and for D-channel access control.

2.2.2 IOM[®]-2 Mode (IMS = 1)

Serial port B is operated as an IOM-2 interface for the connection of layer-1 devices, and as a general purpose backplane bus in terminal equipment. The auxiliary serial SSI and SLD interfaces are not available in this case.

The functions carried out by the IOM are determined by bits SPCR:SPM (terminal mode/non-terminal mode) and DIM2-0, as shown in **table 3**.

Table 3
IOM[®]-2 Interface Mode Characteristics

DIM2	DIM1	DIM0	Characteristics
HDLC in D channel:			Last octet of IOM channel 2 is used for TIC bus access. Applicable in terminal mode (SPM = 0).
0	0	0	
0	0	1	Last octet of IOM channel 2 is used for TIC bus access, bit 5 of last octet is evaluated to control D-channel transmission. Applicable in terminal mode (SPM = 0).
0	1	0	No TIC bus access and no S bus D-channel access control. Applicable in terminal and non-terminal mode.
0	1	1	Bit 5 of last octet is evaluated to control D-channel transmission. Applicable in terminal mode (SPM = 0).
HDLC in B or IC channel:			No transmission/reception in D channel. HDLC channel selected by ADF2:D1C2-0.
1	1	0	

Note: In IOM-2 terminal mode (SPM = 0, 12-byte IOM-2 frame), all DIM2 – 0 combinations are meaningful. When IOM-2 non-terminal mode is programmed (SPM = 1), the only meaningful combination is “10”.

2.2.3 HDLC Controller Mode (IMS = 0, DIM2 = 1)

In this case serial port B has no fixed frame structure, but is used as a serial HDLC port. The valid HDLC data is marked by a strobe signal input via pin FSC. The data rate is determined by the clock input DLC (maximum 4096 Mbit/s). The characteristics of the serial port B are determined by bits DIM1, 0 as shown in **table 4**.

Table 4
HDLC Mode Characteristics

DIM1	DIM0	Characteristics
0	0	reserved
0	1	FSC strobe active low
1	0	FSC strobe active high
1	1	FSC strobe ignored

2.3 Interfaces

The ICC serves three different user-oriented interface types:

- parallel processor interface to higher layer functions
- IOM interface: between layer 1 and 2, and as a universal backplane for terminals
- SSI and SLD interfaces for B-channel sources and destinations (in IOM-1 mode only).

2.3.1 μ P Interface

The ICC is programmed via an 8-bit parallel microcontroller interface. Easy and fast microprocessor access is provided by 8-bit address decoding on chip. The interface consists of 13 (18) lines and is directly compatible with multiplexed and non-multiplexed microcontroller interfaces (Siemens/Intel or Motorola type buses). The microprocessor interface signals are summarized in **table 5**.

Table 5
Interface of the ICC

Pin No. P-DIP	Pin No. P-LCC	Symbol	Input (I) Output (O)	Function
21	25	AD0/D0	I/O	Multiplexed Bus Mode: Address/ Data bus. Transfers addresses from the μ P system to the ICC and data between the μ P system and the ICC. Non Multiplexed Bus Mode: Data bus. Transfers data between the μ P system and the ICC.
22	26	AD1/D1	I/O	
23	27	AD2/D2	I/O	
24	28	AD3/D3	I/O	
1	1	AD4/D4	I/O	
2	2	AD5/D5	I/O	
3	3	AD6/D6	I/O	
4	4	AD7/D7	I/O	
17	21	\overline{CS}	I	Chip Select. A 0 "low" on this line selects the ICC for read/write operation.
–	23	R/ \overline{W}	I	Read/Write. At 1 "high", identifies a valid μ P access as a read operation. At 0, identifies a valid μ P access as a write operation (Motorola bus mode). Write. This signal indicates a write operation (Siemens/Intel bus mode).
19	23	\overline{WR}	I	
–	24	\overline{DS}	I	Data Strobe. The rising edge marks the end of a valid read or write operation (Motorola bus mode). Read. This signal indicates a read operation (Siemens/Intel bus mode).
20	24	\overline{RD}	I	

Interface of the ICC (cont'd)

Pin No. P-DIP	Pin No. P-LCC	Symbol	Input (I) Output (O)	Function
15	18	$\overline{\text{INT}}$	OD	Interrupt Request. The signal is activated when the ICC requests an interrupt. It is an open drain output.
16	20	ALE	I	Address Latch Enable. A high on this line indicates an address on the external address bus (Multiplexed bus typ only).
	19	A0	I	Address bit 0 (Non-multiplexed bus type).
	5	A1	I	Address bit 1 (Non-multiplexed bus type).
	6	A2	I	Address bit 2 (Non-multiplexed bus type).
	11	A3	I	Address bit 3 (Non-multiplexed bus type).
	12	A4	I	Address bit 4 (Non-multiplexed bus type).
	13	A5	I	Address bit 5 (Non-multiplexed bus type).

2.3.2 ISDN Oriented Modular (IOM[®]) Interface

IOM[®]-1

This interface consists of one data line per direction (IOM Data Ports 0 and 1: IDP0,1). Three additional signals define the data clock (DCL) and the frame synchronization (FSC/FSD) at this interface. The data clock has a frequency of 512 kHz (twice the data rate) and the frame sync clock has a repetition rate of 8 kHz.

Via this interface four octets are transmitted per 125 μs frame (**figure 8**):

- The first two octets constitute the two 64 kbit/s B channels.
- The third octet is the MONITOR channel. It is used for the exchange of data using the IOM-1 MONITOR channel protocol which involves the E bit as a validation bit. In addition, it carries a bit which enables/inhibits the transmission of HDLC frames (IDP0) and it serves to arbitrate the access to the last octet. (IDP1).
- The fourth octet is called the Telecom IC (TIC) bus because of the offered busing capability. It is constituted of the 16 kbit/s D channel (2 bits), a four-bit Command/Indication channel and the T and E bits. The C/I channel serves to control and MONITOR layer-1 functions (e.g. activation/deactivation of a transmission line...). The T bit is a transparent 8-kbit/s channel which can be accessed from the ICC, and the E bit is used in MONITOR byte transfer.

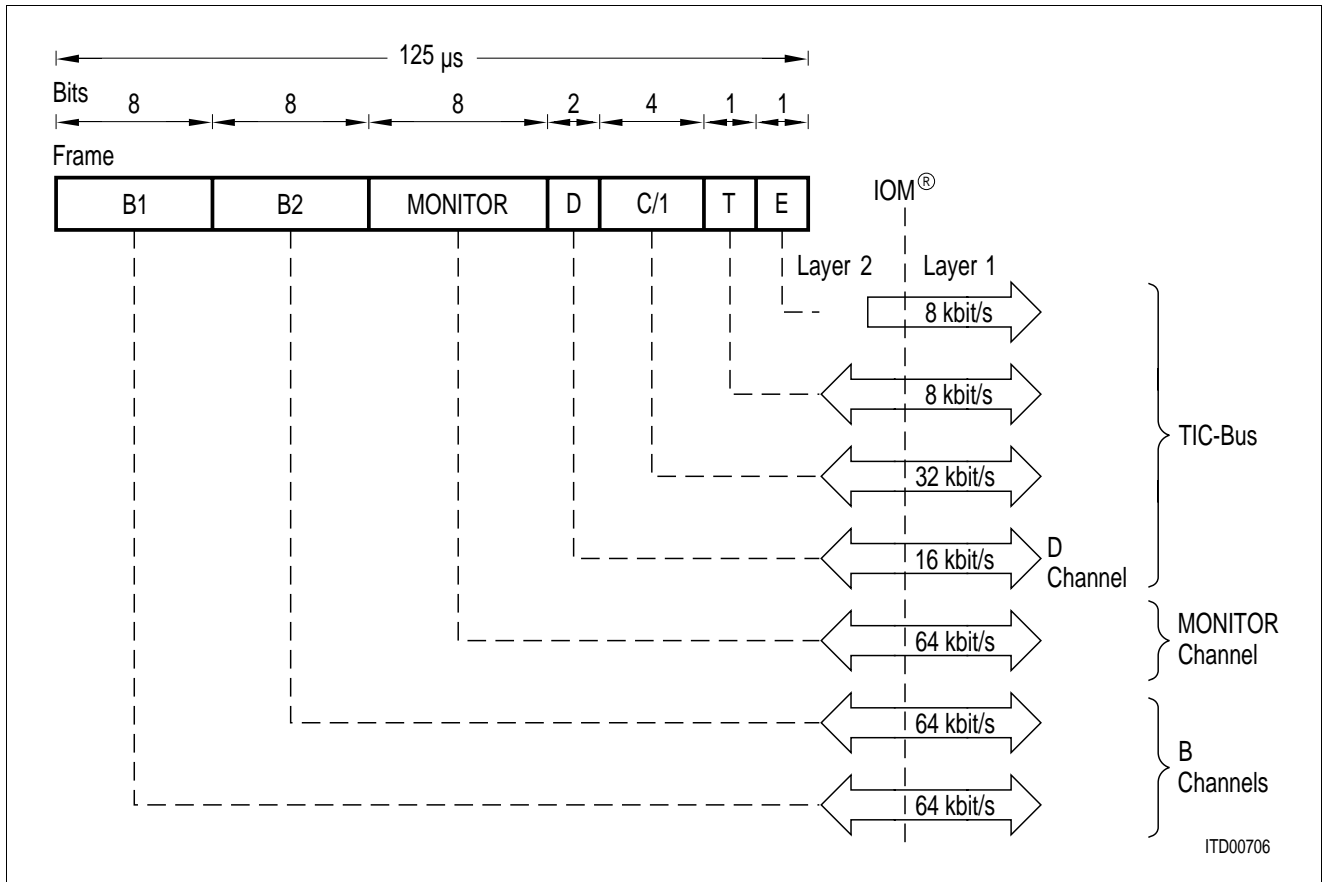


Figure 8
IOM[®]-1 Frame Structure

TIC Bus and Arbitration via MONITOR Channel

The arbitration mechanism implemented in the MONITOR channel allows the access of more than one (up to eight) ICC to the last octet of IOM (TIC). This capability is useful for the modular implementation of different ISDN services (different Service Access Points) e.g. in ISDN voice/data terminals. The IDP1 pins are connected together in a wired-or configuration, as shown in figure 9.

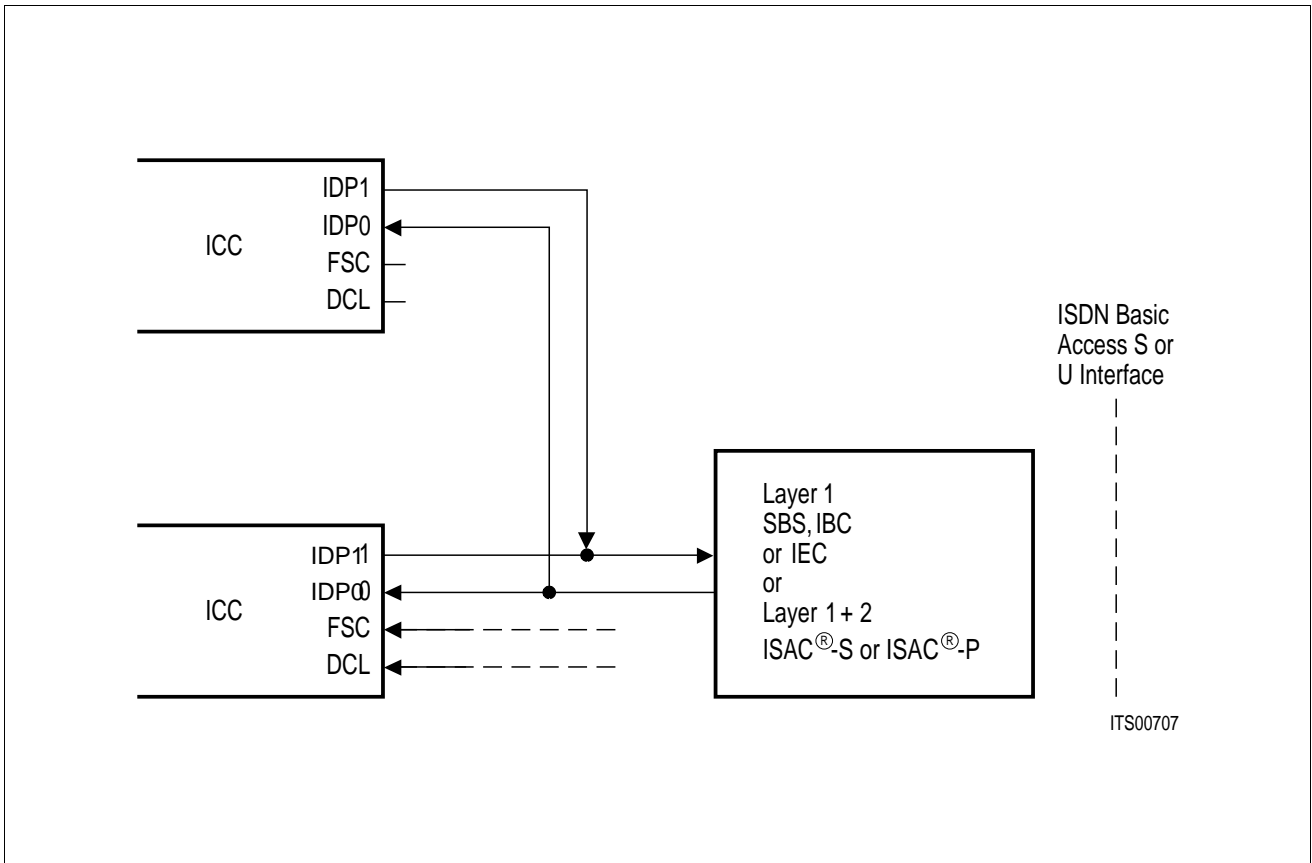


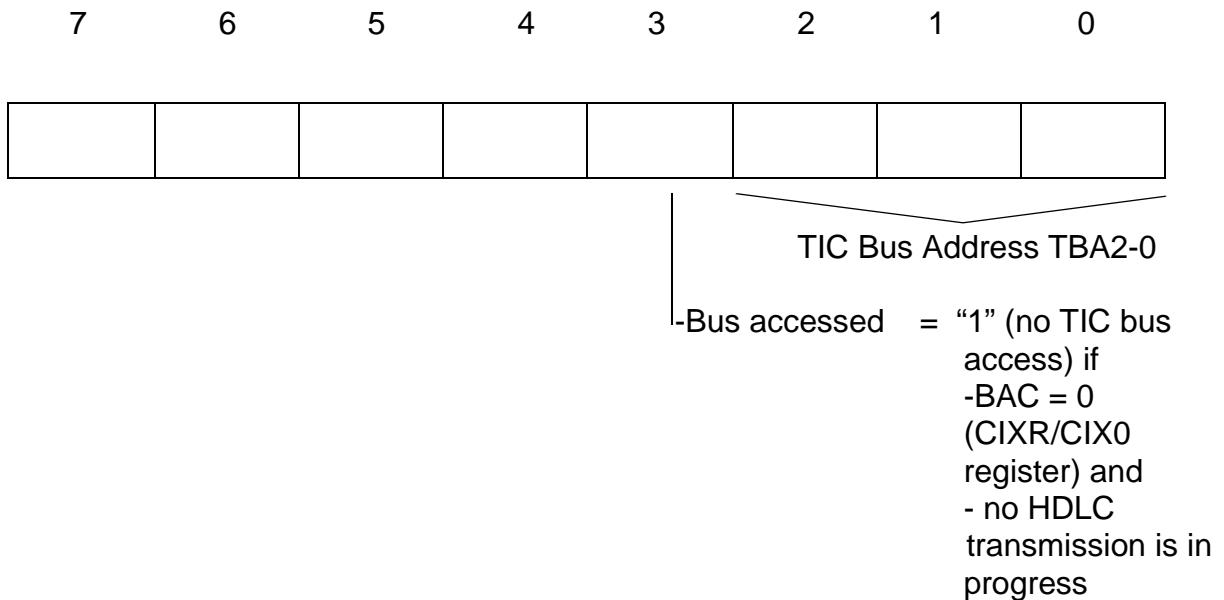
Figure 9
IOM[®] Bus (TIC Bus) Configuration

The arbitration mechanism is described in the following.

An access request to the TIC bus may either be generated by software (μ P access to the C/I channel) or by the ICC itself (transmission of an HDLC frame). A software access request to the bus is effected by setting the BAC bit (CIXR/CIX0 register) to "1".

In the case of an access request, the ICC checks the bus accessed-bit (bit 3 of IDP1 MONITOR octet) for the status “bus free”, which is indicated by a logical “1”. If the bus is free, the ICC transmits its individual TIC bus address programmed in STCR register. The TIC bus is occupied by the device which is able to send its address error-free. If more than one device attempt to seize the bus simultaneously, the one with the lowest address value wins.

MONITOR Channel Structure on IDP1



When the TIC bus is seized by the ICC, the bus is identified to other devices as occupied via the IDP1 MONITOR channel bus accessed bit state “0” until the access request is withdrawn. After a successful bus access, the ICC is automatically set into a lower priority class, that is, a new bus access cannot be performed until the status “bus free” is indicated in two successive frames.

If none of the devices connected to the IOM interface request access to the D and C/I channels, the TIC bus address 7 will be present. The device with this address will therefore have access, by default, to the D and C/I channels.

Note: Bit BAC (CIXR/CIX0 register) should be reset by the μ P when access to the C/I channel is no more requested, to grant other devices access to these channels.

MONITOR Channel

The MONITOR channel protocol for data transfer is described in section **2.4.5**.

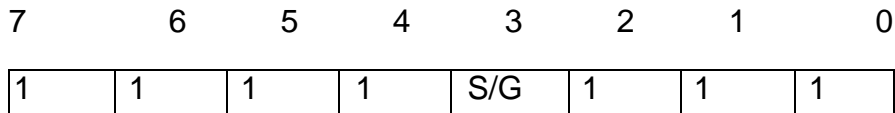
When the ICC is used in connection with an S interface layer-1 transceiver, an indication must be given to the ICC whether the D channel is available for transmission (TE applications with short passive or extended bus configuration).

This indication is assumed to be given in bit 3 “Stop/Go” (S/G) of the MONITOR input channel on IDP0. When a HDLC frame is to be transmitted in the D channel, the ICC automatically starts, proceeds with, or stops frame transmission according to the S/G bit value:

S/G = 1 : stop

S/G = 0 : go

MONITOR Channel Structure IDP0



IOM[®]-1 Timing

In IOM-1 mode, the ICC may be operated either in timing mode 0 or timing mode 1. The selection is via bit SPM in SPCR register.

Timing mode 0 (**SPM = 0**) is used in terminal applications. Timing mode 1 (**SPM = 1**) is only meaningful in exchange applications when the SLD is used. Programming timing mode 1 minimizes the B-channel round-trip delay time on the SLD interface.

In timing mode 0 the IOM frame begin is marked by a rising edge on the FSC input. It simultaneously marks the beginning of the SLD frame.

In timing mode 1 the IOM frame begins is marked by a rising edge on FSD output. The FSD output is delayed by the ICC by 1/8 th of a frame with respect to FSC (**figure 10**).

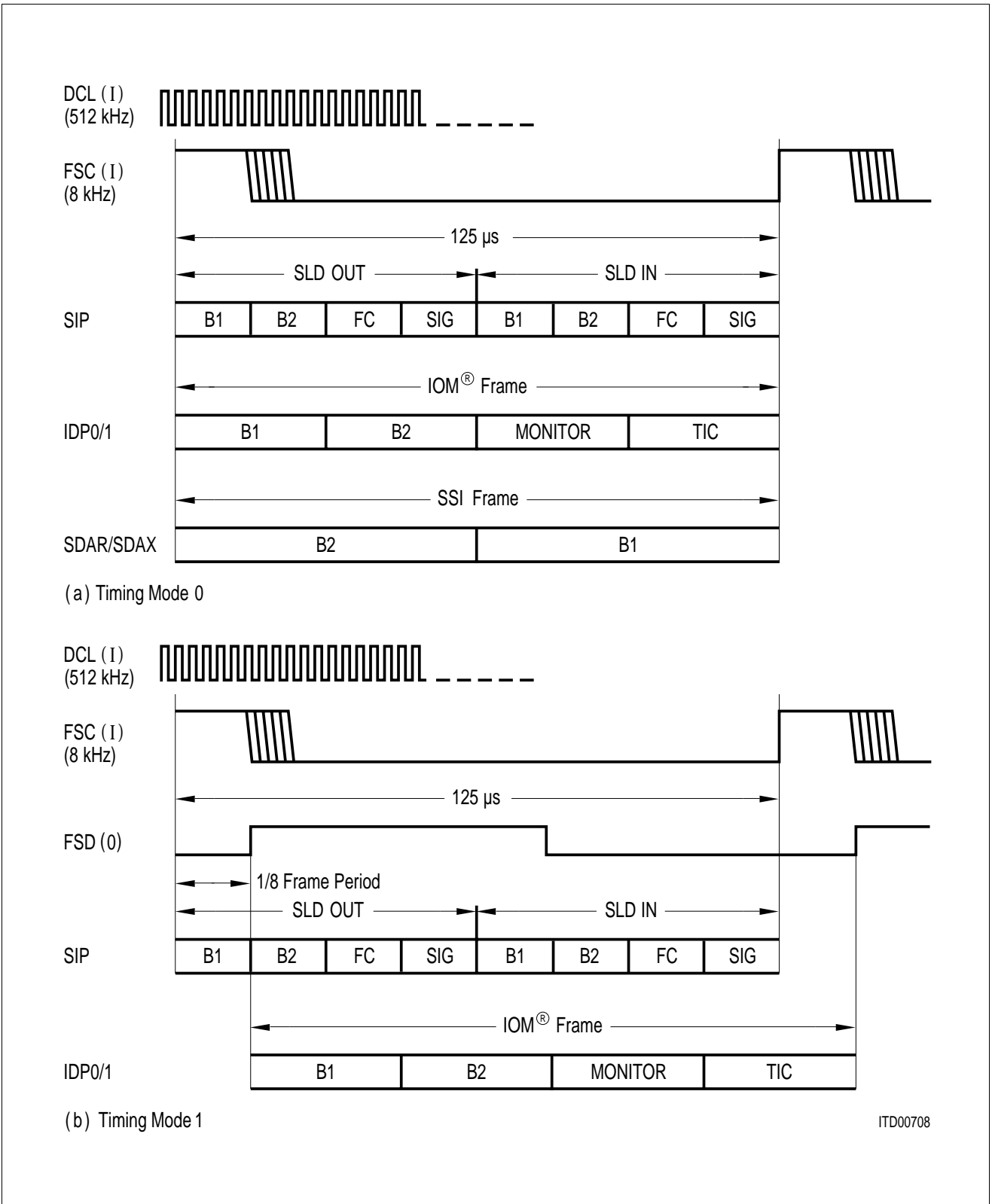


Figure 10
Interface Timing in IOM[®]-1 Mode

Note: The up-arrows show the position, where register contents are transferred to the sender, the down-arrows show the position, where the receiver transfers data to the registers.

IOM[®]-2

The IOM-2 is a generalization and enhancement of the IOM-1. While the basic frame structure is very similar, IOM-2 offers further capacity for the transfer of maintenance information. In terminal applications, the IOM-2 constitutes a powerful backplane bus offering intercommunication and sophisticated control capabilities for peripheral modules.

The channel structure of the IOM-2 is depicted below.

Channel Structure of the IOM[®]-2

B1	B2	MONITOR	D	C/I	MR
----	----	---------	---	-----	----

MX

- The first two octets constitute the two 64 kbit/s B channels.
- The third octet is the MONITOR channel. It is used for the exchange of data between the ICC and the other attached device(s) using the IOM-2 MONITOR channel protocol.
- The fourth octet (control channel) contains
 - two bits for the 16 kbit/s D channel
 - a four-bit Command/Indication channel
 - two bits MR and MX for supporting the MONITOR channel protocol.

In the case of an IOM-2 interface the frame structure depends on whether TE- or non-TE mode is selected, via bit SPM in SPCR register.

Non-TE Timing Mode (SPM = 1)

In this case the frame is a multiplex of eight IOM-2 channels (**figure 11**), each channel has the same structure.

Thus the data rate per subscriber connection (corresponding to one channel) is 256 kbit/s, whereas the bit rate is 2048 kbit/s. The IOM-2 interface signals are:

IDP0,1 : 2048 kbit/s
 DCL : 4096 kHz input
 FSC : 8 kHz input

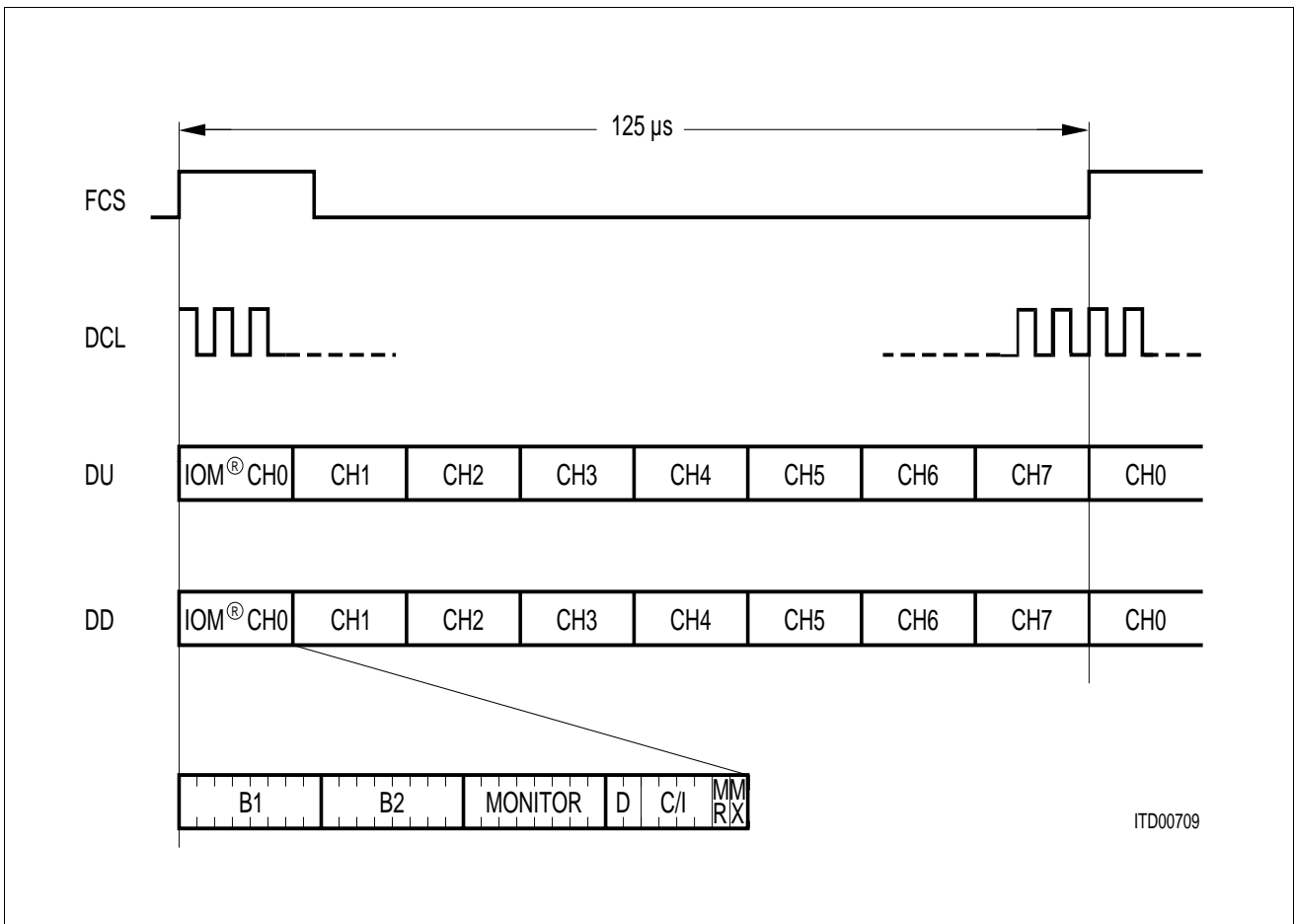


Figure 11
Multiplexed Frame Structure of the IOM[®]-2 Interface in Non-TE Timing Mode

The ICC is assigned to one of the eight channels (0 to 7) via register programming. This mode is used in ISDN exchange/line card applications.

TE Timing Mode (SPM = 0)

The frame is composed of three channels (**figure 11**):

- Channel 0 contains 144 kbit/s (for 2B + D) plus MONITOR and command/indication channels for layer-1 devices.
- Channel 1 contains two 64-kbit/s intercommunication channels plus MONITOR and command/indication channels for other IOM-2 devices.
- Channel 2 is used for enabling/inhibiting the transmission of HDLC frames. This bit is typically generated by an S-bus transceiver (stop/go: bit 5, or 3rd MSB of the last octet on IDP0). On IDP1, bits 2 to 5 of the last octet are used for TIC bus access arbitration.

As in the IOM-1 case (**figure 9**), up to eight ICCs can access the TIC bus (D and C/I channels). The bus arbitration mechanism is identical to that described previously, except that it involves bits 2 to 5 in channel 2.

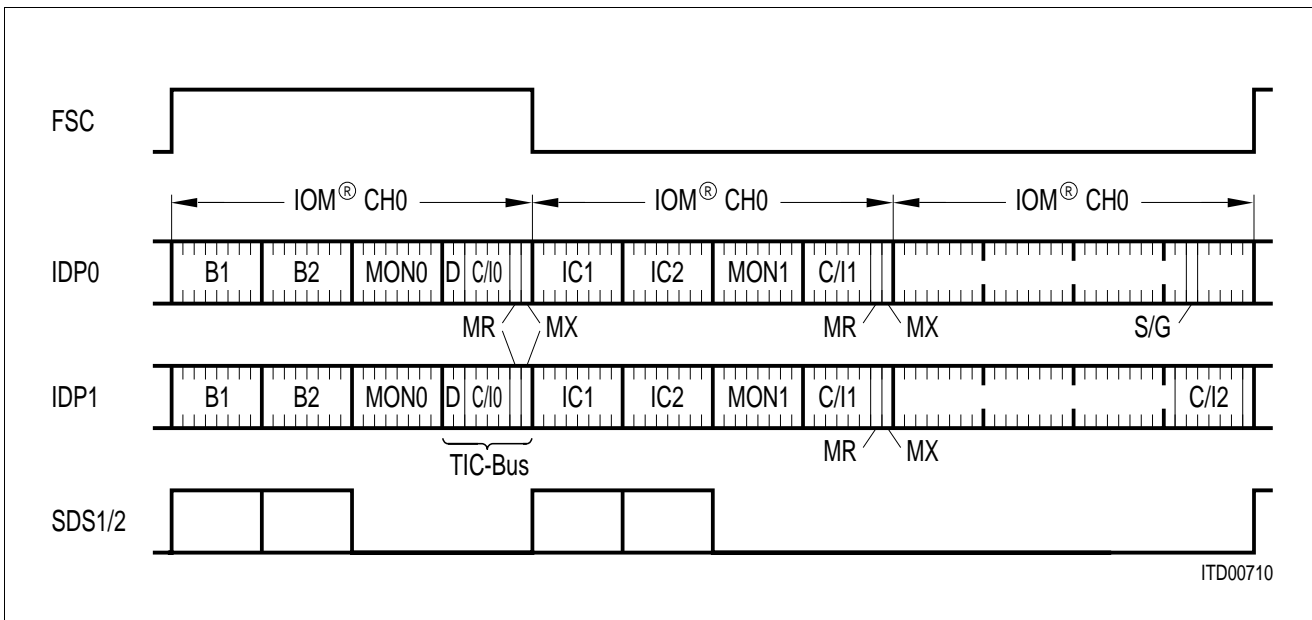


Figure 12
Definition of the IOM[®]-2 Channels in Terminal Timing Mode

The IOM-2 signals are:

- IDP0,1 : 768 kbit/s
- DCL : 1536 kHz input
- FSC : 8 kHz input.

In addition, to support standard combos/data devices the following signals are generated as outputs:

- SDS1/2 : 8 kHz programmable data strobe signals for selecting one or both B/IC channel(s).

2.3.3 SSI (Serial Port A)

The SSI (Serial Synchronous Interface) is available in IOM-1 interface mode. Timing mode 0 (SPM = 0) has to be programmed.

The serial port SSI has a data rate of 128 kbit/s. It offers a full duplex link for B channels in ISDN voice/data terminals. Examples: serial synchronous transceiver devices (USART's, HSCX SAB 82525, ITAC PSB 2110, ...), and CODEC filters.

The port consists of one data line in each direction (SDAX and SDAR) and the 128-kHz clock output (SCA). The beginning of B2 is marked by a rising edge on FSC, see **figure12**.

The μ C system has access to B-channel data via the ICC registers BCR1/2 and BCX1/2.

The μ C access must be synchronized to the serial transmission by means of the Synchronous Transfer Interrupt (STCR **see chapter 4**).

2.3.4 SLD

The SLD is available in IOM-1 interface mode.

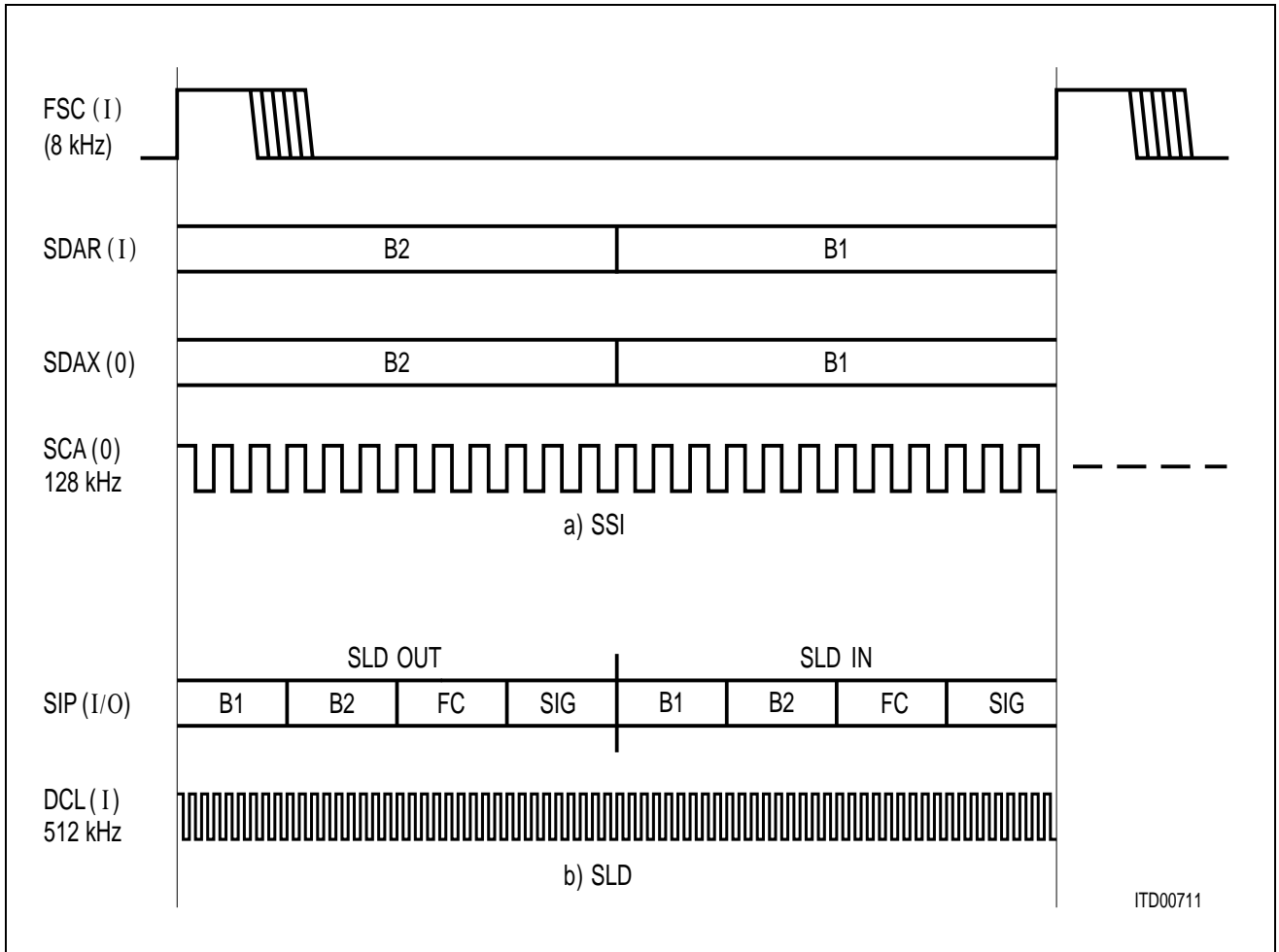


Figure 13
SSI (a) and SLD (b) Interface Lines

The standard SLD interface is a three-wire interface with a 512-kHz clock input (DCL), an 8-kHz frame direction signal input (FSC), and a serial ping-pong data lead (SIP) with an effective full duplex data rate of 256 kbit/s.

The frame is composed of four octets per direction. Octets 1 and 2 contain the two B channels, octet 3 is a feature control byte, and octet 4 is a signaling byte (**figure 13**).

The SLD interface can be used in:

- **Terminal applications** as a full duplex time-multiplexed (ping-pong) connection to B-channel sources/destinations. CODEC filters, such as the SICOFI® (PEB 2060) or the ARCOFI® (PSB 2160) as well as other SLD compatible voice/data modules may be connected directly to the ICC as depicted in **figure 13a**. Terminal specific functions have to be deselected (TSF = 0), so that pin SIP/EAW takes on its proper function as SLD data line. Moreover, in TE applications timing mode 0 has to be programmed.

- **Digital exchange applications** as a full duplex time-multiplexed connection to convey the B channels between the layer-1 devices and a Peripheral Board Controller (e.g. PBC PEB 2050 or PIC PEB 2052), which performs time-slot assignment on the PCM highways, forming a system interface to a switching network (**figure 13b**).
Timing mode 1 (SPM = 1) can be programmed in order to minimize the B-channel round-trip delay.

The μ C system has access to B-channel data, the feature control byte and the signaling byte via the ICC registers:

- C1R, C2R \longrightarrow B1/B2
- CFCR and SFCX \longrightarrow FC
- SSCR and SSCX \longrightarrow SIG

The μ P access to C1R, C2R, SFCR, SFCX, SSCR and SSCX must be synchronized to the serial transmission by means of the Synchronous Transfer Interrupt (STCR) and the BVS-bit (STAR).

2.4 Individual Functions

2.4.1 Layer-2 Functions for HDLC

The HDLC controller in the ICC is responsible for the data link layer using HDLC/SDLC based protocols.

The ICC can be made to support that data link layer to a degree that best suits system requirements. When programmed in auto mode, it handles elements of procedure of an acknowledged, balanced class of HDLC protocol autonomously (window size equal to "1"). Multiple links may be handled simultaneously due to the address recognition capabilities, as explained in **section 2.4.1.1**.

The ICC supports point-to-point protocols such as LAPB (Link Access Procedure Balanced) used in X.25 networking.

For ISDN, one particularly important protocol is the **Link Access Procedure for the D channel (LAPD)**.

LAPD, layer 2 of the ISDN D-channel protocol (CCITT I.441) includes functions for:

- Provision of one or more data link connections on a D channel (multiple LAP). Discrimination between the data link connections is performed by means of a data link connection identifier (DLCI = SAPI + TEI)
- HDLC-framing
- Application of a balanced class of procedure in point-multipoint configuration.

The simplified block diagram in **figure 6** shows the functional blocks of the ICC which support the LAPD protocol.

The HDLC transceiver in the ICC performs the framing functions used in HDLC/SDLC based communication: flag generation/recognition, bit stuffing, CRC check and address recognition.

The FIFO structure with two 64-byte pools for transmit and receive directions and an intelligent FIFO controller permit flexible transfer of protocol data units to and from the μ C system.

2.4.1.1 Message Transfer Modes

The HDLC controller can be programmed to operate in various modes, which are different in the treatment of the HDLC frame in receive direction. Thus, the receive data flow and the address recognition features can be programmed in a flexible way, to satisfy different system requirements.

In the auto mode the ICC handles elements of procedure of the LAPD (S and I frames) according to CCITT I.441 fully autonomously.

For the address recognition the ICC contains four programmable registers for individual SAPI and TEI values SAP1-2 and TEI1-2, plus two fixed values for “group” SAPI and TEI, SAPG and TEIG.

There are 5 different operating modes which can be set via the MODE register:

Auto mode (MDS2, MDS1 = 00)

Characteristics: – Full address recognition (1 or 2 bytes).

– Normal (mod 8) or extended (mod 128) control field format

– Automatic processing of numbered frames of an HDLC procedure (**see 2.4.1.2**).

If a 2-byte address field is selected, the high address byte is compared with the fixed value FE_H or FC_H (group address) as well as with two individually programmable values in SAP1 and SAP2 registers. According to the ISDN LAPD protocol, bit 1 of the high byte address will be interpreted as COMMAND/RESPONSE bit (C/R) dependent on the setting of the CRI bit in SAP1, and will be excluded from the address comparison.

Similarly, the low address byte is compared with the fixed value FF_H (group TEI) and two compare values programmed in special registers (TEI1, TEI2). A valid address will be recognized in case the high and low byte of the address field match one of the compare values. The ICC can be called (addressed) with the following address combinations:

- SAP1/TEI1
- SAP1/FF_H
- SAP2/TEI2
- SAP2/FF_H
- FE_H(FC_H)/TEI1
- FE_H(FC_H)/TEI2
- FE_H(FC_H)/FF_H

Only the logical connection identified through the address combination SAP1, TEI1 will be processed in the auto mode, all others are handled as in the non-auto mode. The logical connection handled in the auto mode must have a window size 1 between transmitted and acknowledged frames. HDLC frames with address fields that do not match with any of the address combinations, are ignored by the ICC.

In case of a 1-byte address, TEI1 and TEI2 will be used as compare registers. According to the X.25 LAPB protocol, the value in TEI1 will be interpreted as COMMAND and the value in TEI2 as RESPONSE.

The control field is stored in RHCR register and the I field in RFIFO. Additional information is available in RSTA.

Non-Auto Mode (MDS2, MDS1 = 01)

Characteristics: Full address recognition (1 or 2 bytes)
Arbitrary window sizes

All frames with valid addresses (address recognition identical to auto mode) are accepted and the bytes following the address are transferred to the μ P via RHCR and RFIFO. Additional information is available in RSTA.

Transparent Mode 1 (MDS2, MDS1, MDS0 = 101).

Characteristics: TEI recognition

A comparison is performed only on the second byte after the opening flag, with TEI1, TEI2 and group TEI (FF_H). In case of a match, the first address byte is stored in SAPR, the (first byte of the) control field RHCR, and the rest of the frame in the RFIFO. Additional information is available in RSTA.

Transparent Mode 2 (MDS2, MDS1, MDS0 = 110).

Characteristics: non address recognition.

Every received frame is stored in RFIFO (first byte after opening flag to CRC field). Additional information can be read from RSTA.

Transparent Mode 3 (MDS2, MDS1, MDS0 = 111)

Characteristics: SAPI recognition

A comparison is performed on the first byte after the opening flag with SAP1, SAP2 and group SAPI (FE/FC_H). In the case of a match, all the following bytes are stored in RFIFO. Additional information can be read from RSTA.

2.4.1.2 Protocol Operations (auto mode)

In addition to address recognition all S and I frames are processed in hardware in the auto mode. The following functions are performed:

- update of transmit and receive counter
- evaluation of transmit and receive counter
- processing of S commands
- flow control with RR/RNR
- response generation
- recognition of protocol errors
- transmission of S commands, if an acknowledgment is not received
- continuous status query of remote station after RNR has been received
- programmable timer/repeater functions.

The processing of frames in auto mode is described in detail in **section 2.4.8**.

2.4.1.3 Reception of Frames

A 2x32-byte FIFO buffer (receive pools) is provided in the receive direction.

The control of the data transfer between the CPU and the ICC is handled via interrupts.

There are two different interrupt indications concerned with the reception of data:

- RPF (**R**eceive **P**ool **F**ull) interrupt, indicating that a 32-byte block of data can be read from the RFIFO and the received message is not yet complete.
- RME (**R**eceive **M**essage **E**nd) interrupt, indicating that the reception of one message is completed, i.e. either
 - one message ≤ 32 bytes, or
 - the last part of a message ≥ 32 bytes

is stored in the RFIFO.

Depending on the message transfer mode the address and control fields of received frames are processed and stored in the receive FIFO or in special registers as depicted in **figure 14**.

The organization of the RFIFO is such that, in the case of short (≤ 32 bytes), successive messages, up to two messages with all additional information can be stored. The contents of the RFIFO would be, for example, as shown in **figure 15**.

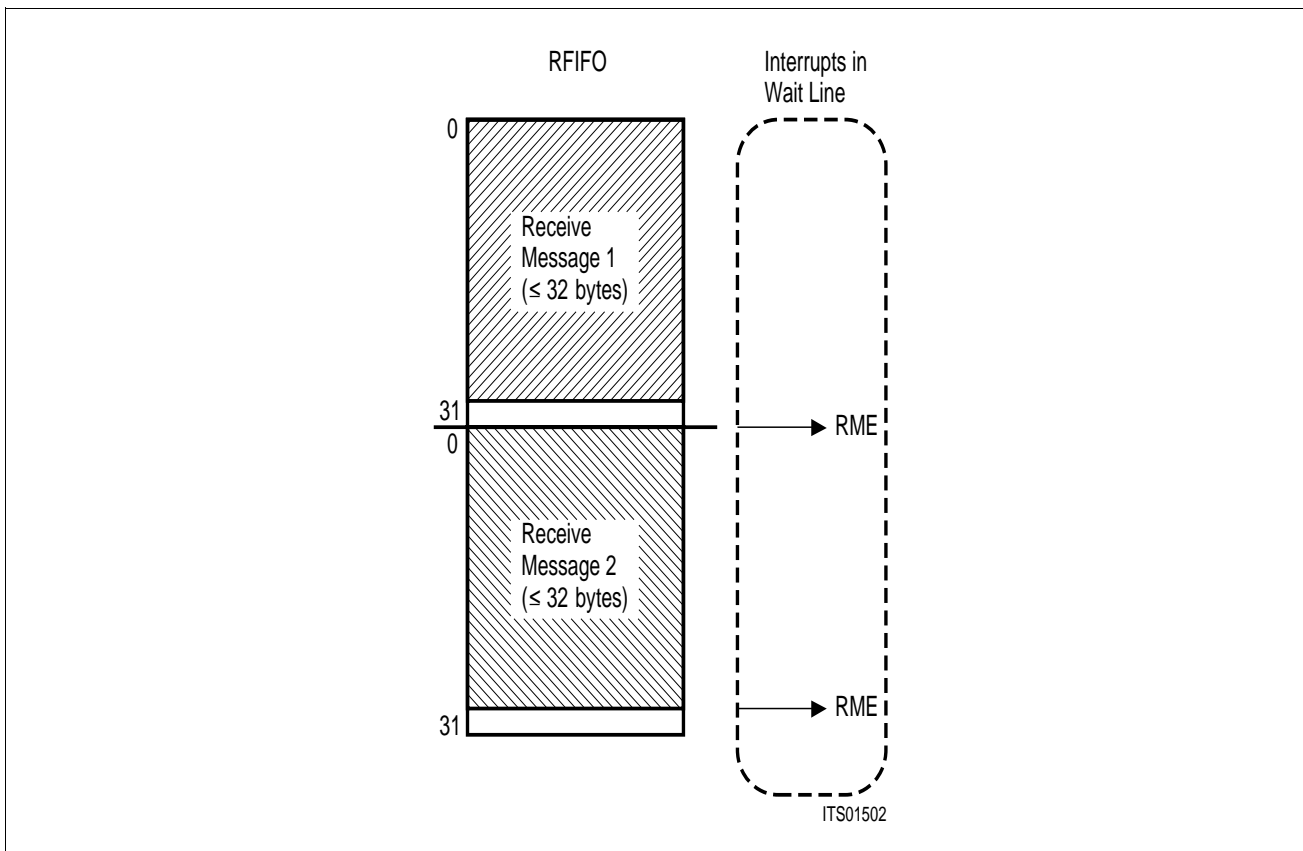


Figure 14
Contents of RFIFO (short message)

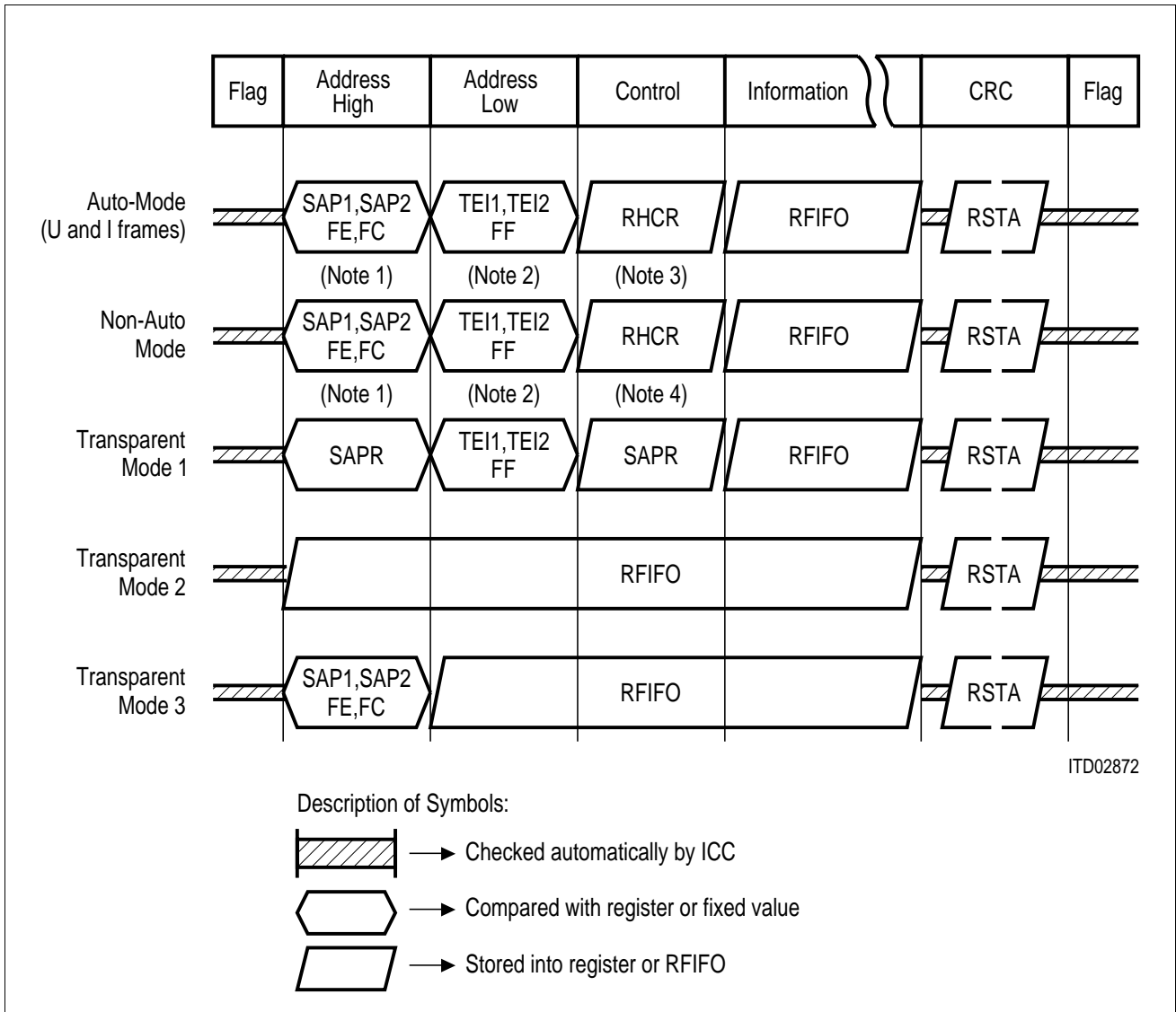


Figure 15
Receive Data Flow

- Note 1** Only if a 2-byte address field is defined (MDS0 = 1 in MODE register).
- Note 2** Comparison with Group TEI (FF_H) is only made if a 2-byte address field is defined (MDS0 = 1 in MODE register).
- Note 3** In the case of an extended, modulo 128 control field format (MCS = 1 in SAP2 register) the control field is stored in RHCR in compressed form (I frames).
- Note 4** In the case of extended control field, only the first byte is stored in RHCR, the second in RFIFO.

When 32 bytes of a message longer than that are stored in RFIFO, the CPU is prompted to read out the data by an RPF interrupt. The CPU must handle this interrupt before more than 32 additional bytes are received, which would cause a “data overflow” (**figure 16**). This corresponds to a maximum CPU reaction time of 16 ms (data rate 16 kbit/s).

After a remaining block of less than or equal to 16 bytes has been stored, it is possible to store the first 16 bytes of a new message (**see figure 16b**).

The internal memory is now full. The arrival of additional bytes will result in “data overflow” and a third new message in “frame overflow”.

The generated interrupts are inserted together with all additional information into a wait line to be individually passed to the CPU.

After an RPF or RME interrupt has been processed, i.e. the received data has been read from the RFIFO, this must be explicitly acknowledged by the CPU issuing a RMC (Receive Message Complete) command.

The ICC can then release the associated FIFO pool for new data. If there is an additional interrupt in the wait line it will be generated after the RMC acknowledgment.

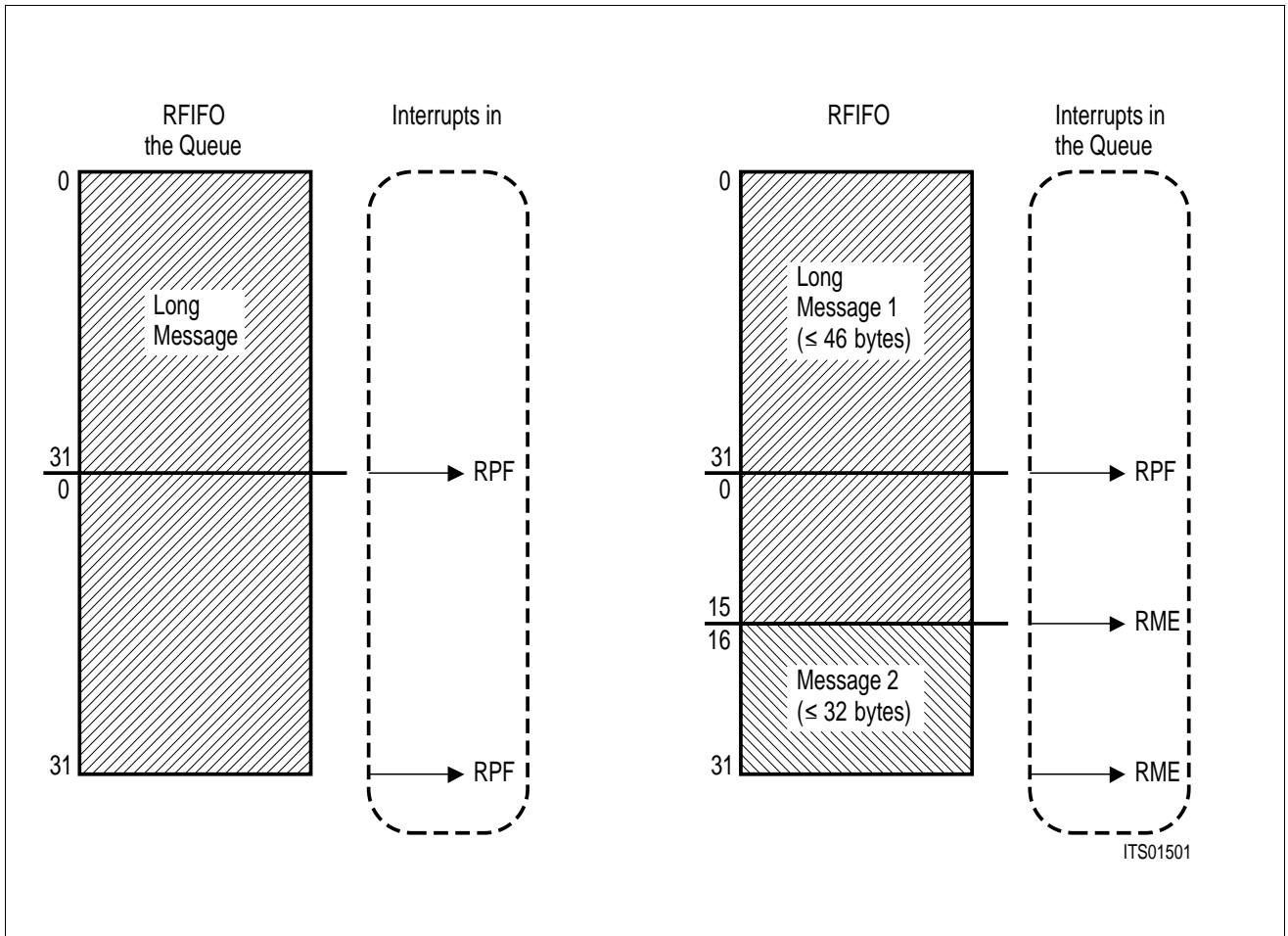


Figure 16
Contents of RIFIFO (long message)

Information about the received frame is available for the μP when the RME interrupt is generated, as shown in **table 6**.

Table 6
Receive Information at RME Interrupt

Information	Register	Bit	Mode
First byte after flag (SAPI of LAPD address field)	SAPR	–	Transparent mode 1
Control field	RHCR	–	Auto mode, I (modulo 8) and U frames
Compressed control field	RHCR	–	Auto mode, I frames (modulo 128)
2 nd byte after flag	RHCR	–	Non-auto mode, 1-byte address field
3 rd byte after flag	RHCR	–	Non-auto mode, 2-byte address field Transparent mode 1
Type of frame (Command/Response)	STAR	C/R	Auto mode, 2-byte address field Non-auto mode, 2-byte address field Transparent mode 3
Recognition of SAPI	STAR	SA1-0	Auto mode, 2-byte address field Non-auto mode, 2-byte address field Transparent mode 3
Recognition of TEI	STAR	TA	All expect Transparent mode 2,3
Result of CRC check (correct/incorrect)	STAR	CRC	ALL
Data available in RFIFO (yes/no)	STAR	RDA	ALL
Abort condition detected (yes/no)	STAR	RAB	ALL
Data overflow during reception of a frame (yes/no)	STAR	RDO	ALL
Number of bytes received in RFIFO	RBCL	RBC4-0	ALL
Message length	RBCL RBCH	RBC11-50V	ALL

2.4.1.4 Transmission of Frames

A 2x32 byte FIFO buffer (transmit pools) is provided in the transmit direction.

If the transmit pool is ready (which is true after an XPR interrupt or if the XFW bit in STAR is set), the CPU can write a data block of up to 32 bytes to the transmit FIFO. After this, data transmission can be initiated by command.

Two different frame types can be transmitted:

- Transparent frames (command: XTF), or
- I frames (command: XIF)

as shown in **figure 17**.

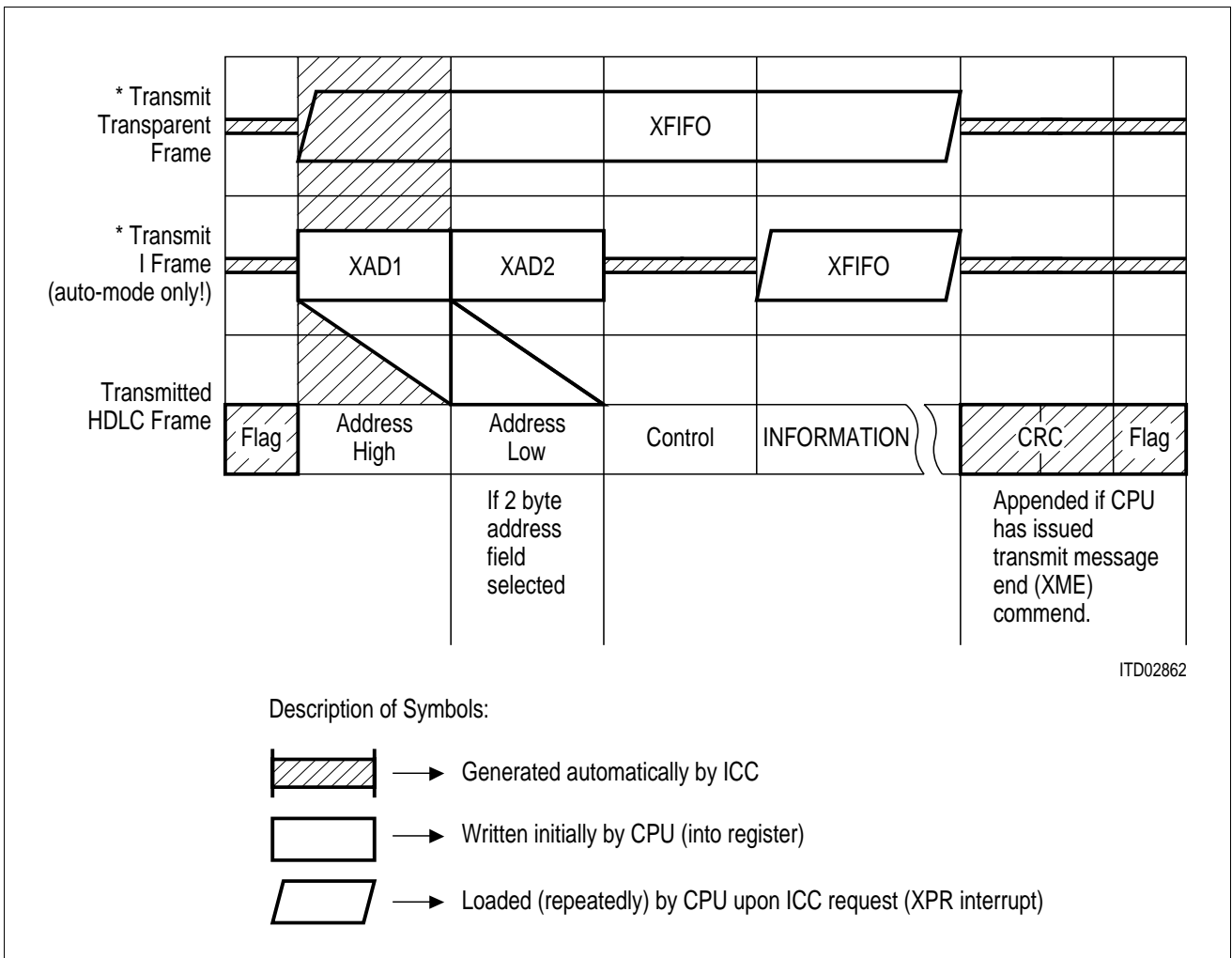


Figure 17
Transmit Data Flow

For transparent frames, the whole frame including address and control field must be written to the XFIFO.

The transmission of **I frames** is possible only if the ICC is operating in the auto mode. The address and control field is autonomously generated by the ICC and appended to the frame, only the data in the information field must be written to the XFIFO.

If a 2-byte address field has been selected, the ICC takes the contents of the XAD 1 register to build the high byte of the address field, and the contents of the XAD 2 register to build the low byte of the address field.

Additionally the C/R bit (bit 1 of the high byte address, as defined by LAPD protocol) is set to "1" or "0" dependent on whether the frame is a command or a response.

In the case of a 1-byte address, the ICC takes either the XAD 1 or XAD 2 register to differentiate between command or response frame (as defined by X.25 LAP B).

The control field is also generated by the ICC including the receive and send sequence number and the poll/final (P/F) bit. For this purpose, the ICC internally manages send and receive sequence number counters.

In the auto mode, S frames are sent autonomously by the ICC. The transmission of U frames, however, must be done by the CPU. U frames must be sent as transparent frames (XTF), i.e. address and control field must be defined by the CPU.

Once the data transmission has been initiated by command (XTF or XIF), the data transfer between CPU and ICC is controlled by interrupts.

The ICC repeatedly requests another data packet or block by means of an XPR interrupt, every time no more than 32 bytes are stored in the XFIFO.

The processor can then write further data to the XFIFO and enable the continuation of frame transmission by issuing an XIF/XTF command.

If the data block which has been written last to the XFIFO completes the current frame, this must be indicated additionally by setting the XME (Transmit Message End) command bit. The ICC then terminates the frame properly by appending the CRC and closing flag.

If the CPU fails to respond to an XPR interrupt within the given reaction time, a data underrun condition occurs (XFIFO holds no further valid data). In this case, the ICC automatically aborts the current frame by sending seven consecutive "ones" (ABORT sequence).

The CPU is informed about this via an XDU (Transmit Data Underrun) interrupt.

It is also possible to abort a message by software by issuing an XRES (Transmitter RESet) command, which causes an XPR interrupt.

After an end of message indication from the CPU (XME command), the termination of the transmission operation is indicated differently, depending on the selected message transfer mode and the transmitted frame type.

If the ICC is operating in the auto mode, the window size (= number of outstanding unacknowledged frames) is limited to 1; therefore an acknowledgment is expected for every I frame sent with an XIF command. The acknowledgment may be provided either by a received S or I frame with corresponding receive sequence number (**see figure 14**).

If no acknowledgment is received within a certain time (programmable), the ICC requests an acknowledgment by sending an S frame with the poll bit set ($P = 1$) (RR or RNR). If no response is received again, this process is repeated in total CNT times (retry count, programmable via TIMR register).

The termination of the transmission operation may be indicated either with:

- XPR interrupt, if a positive acknowledgment has been received,
- XMR interrupt, if a negative acknowledgment has been received, i.e. the transmitted message must be repeated (XMR = Transmit Message Repeat),
- TIN interrupt, if no acknowledgment has been received at all after CNT times the expiration of the time period t_1 (TIN = Timer INterrupt, XPR interrupt is issued additionally).

Note: Prerequisite for sending I frames in the auto mode (XIF) is that the internal operational mode of the timer has been selected in the MODE register (TMD bit = 1).

The transparent transmission of frames (XTF command) is possible in all message transfer modes. The successful termination of a transparent transmission is indicated by the XPR interrupt.

In the case where an IOM interface mode is programmed (**see section 2.2**), a transmission may be aborted from the outside by setting the stop/go bit to 1, provided DIM1 - 0 are programmed appropriately, **see tables 2 and 3**. An example of this is the occurrence of an S bus D-channel collision. - If this happens before the first FIFO pool has been completely transmitted and released, the ICC will retransmit the frame automatically as soon as transmission is enabled again. Thus no μ P interaction is required.

On the other hand, if a transmission is inhibited by the stop/go bit after the first pool has already been released (and XPR generated), the ICC aborts the frame and requests the processor to repeat the frame with an XMR interrupt.

2.4.2 B-Channel Switching (IOM[®]-1)

The ICC contains two serial interfaces, SLD and SSI, which can serve as interfaces to B-channel sources/destinations. Both channels B1 and B2 can be switched independently of one another to the IOM interface (**figure 18**).

The following possibilities are provided:

- Switching from/to SSI
- Switching from/to SLD
- IOM looping
- SLD looping

The microcontroller can select the B-channel switching in the SPCR register. In **figure 19** all possible selections of the B-channel routes and access to B-channel data via the microprocessor interface are illustrated. This access from the microcontroller is possible by writing or reading the C1R/C2R register or reading the B1CR/B2CR register (cf. Synchronous Transfer, paragraph 2.4.3).

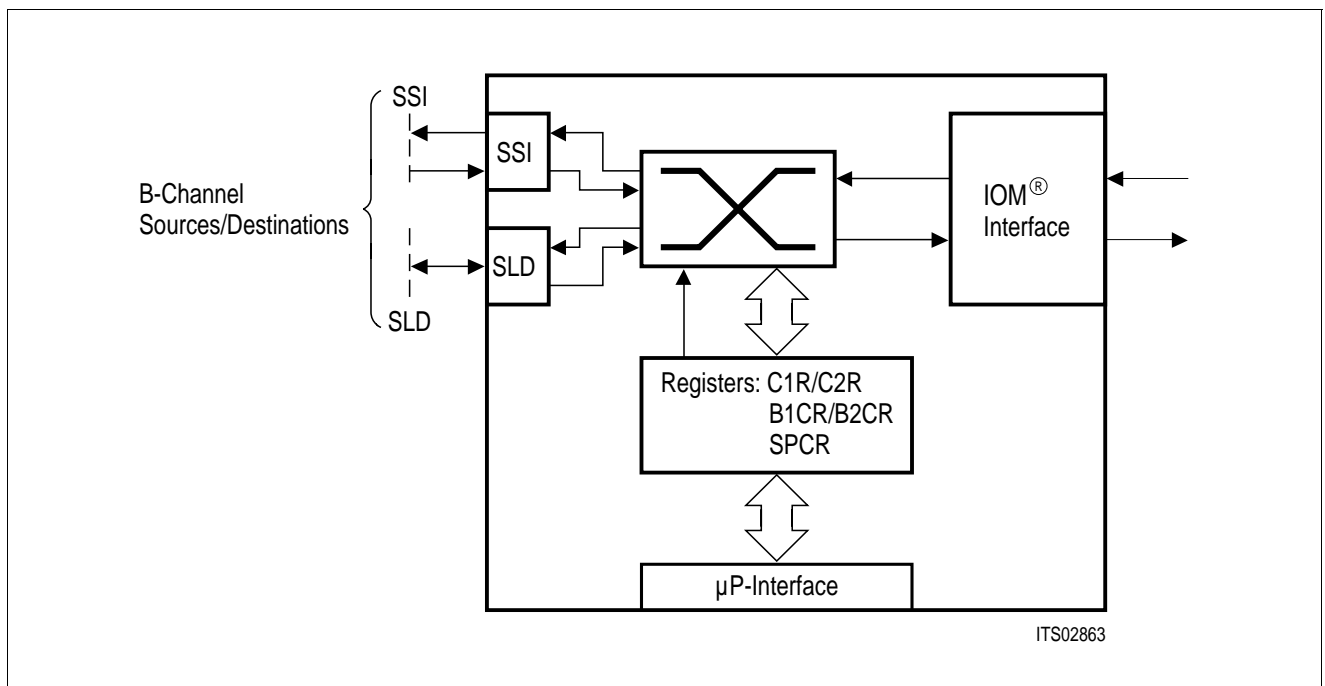


Figure 18

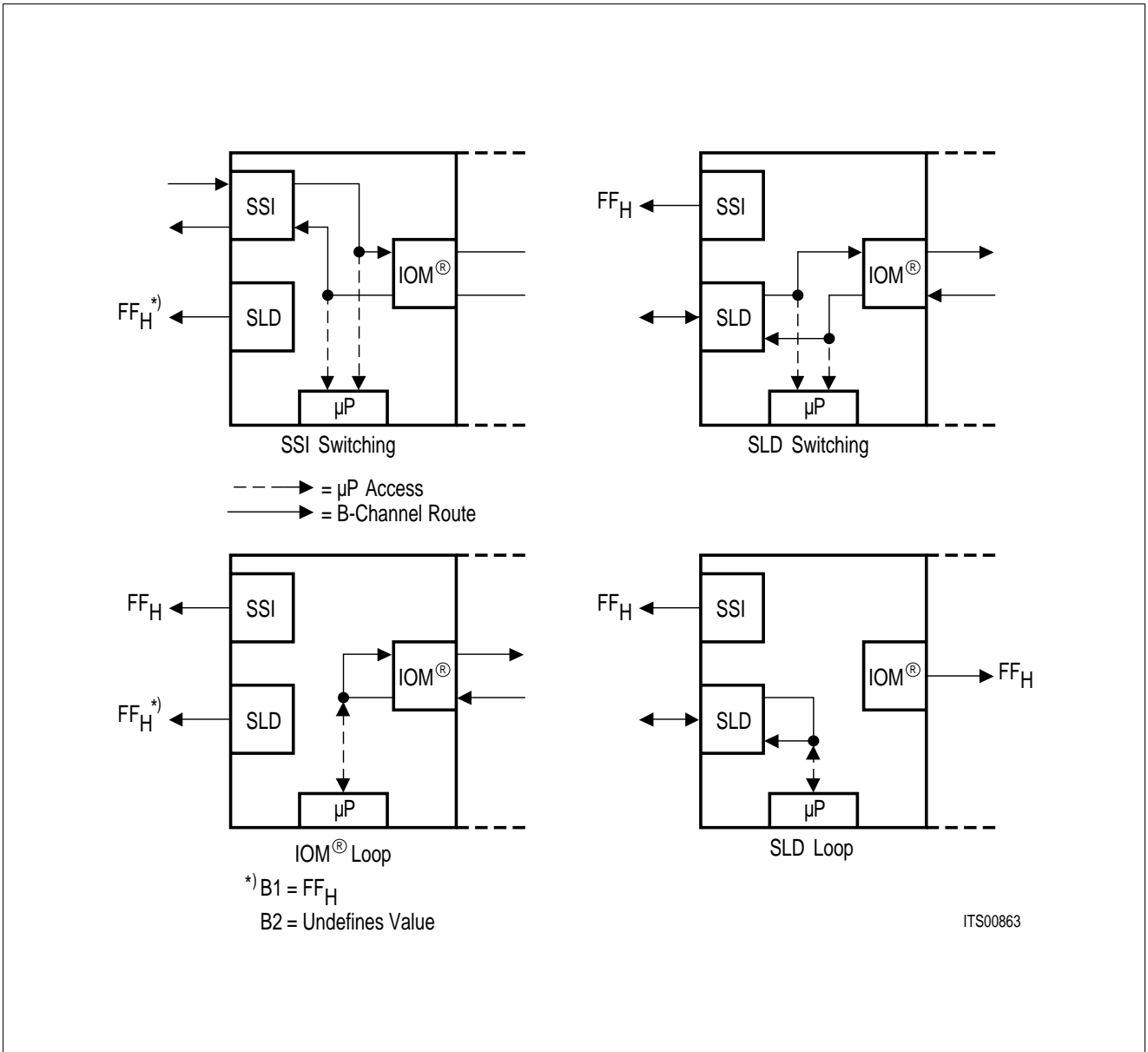


Figure 19

2.4.3 Access to B / IC Channels

IOM[®]-1 mode (IMS = 0)

The B1 and/or B2 channel is accessed by reading the B1CR/B2CR or by reading and writing the C1R/C2R registers. The μ P access can be synchronized to the serial interface by means of a Synchronous Transfer programmed in the STCR register.

The read/write access possibilities are shown in **table 7**.

Table 7

		C_R		B_CR	Application(s)
C_C1	C_C0	Read	Write	Read	
0	0	SLD	SLD	IOM	B_not switched, SLD looping
0	1	SLD	–	IOM	B_switched to/from SLD
1	0	SSI	–	IOM	B_switched to/from SSI
1	1	IOM	IOM	–	IOM looping

The Synchronous Transfer Interrupt (SIN, ISTA register) can be programmed to occur at either the beginning of a 125 μ s frame or at its center, depending on the channel(s) to be accessed and the current configuration, see **figure 20a**.

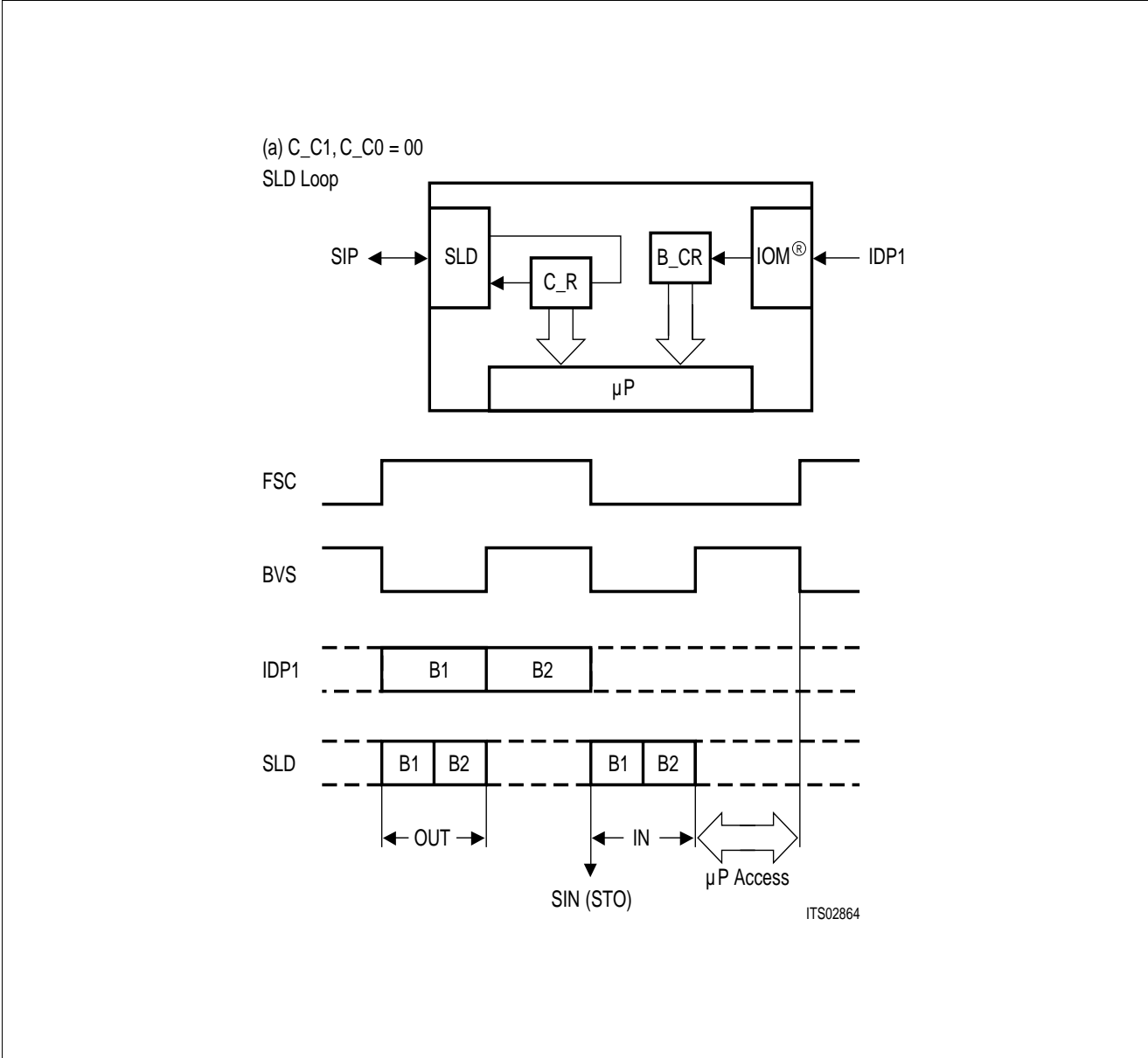


Figure 20a

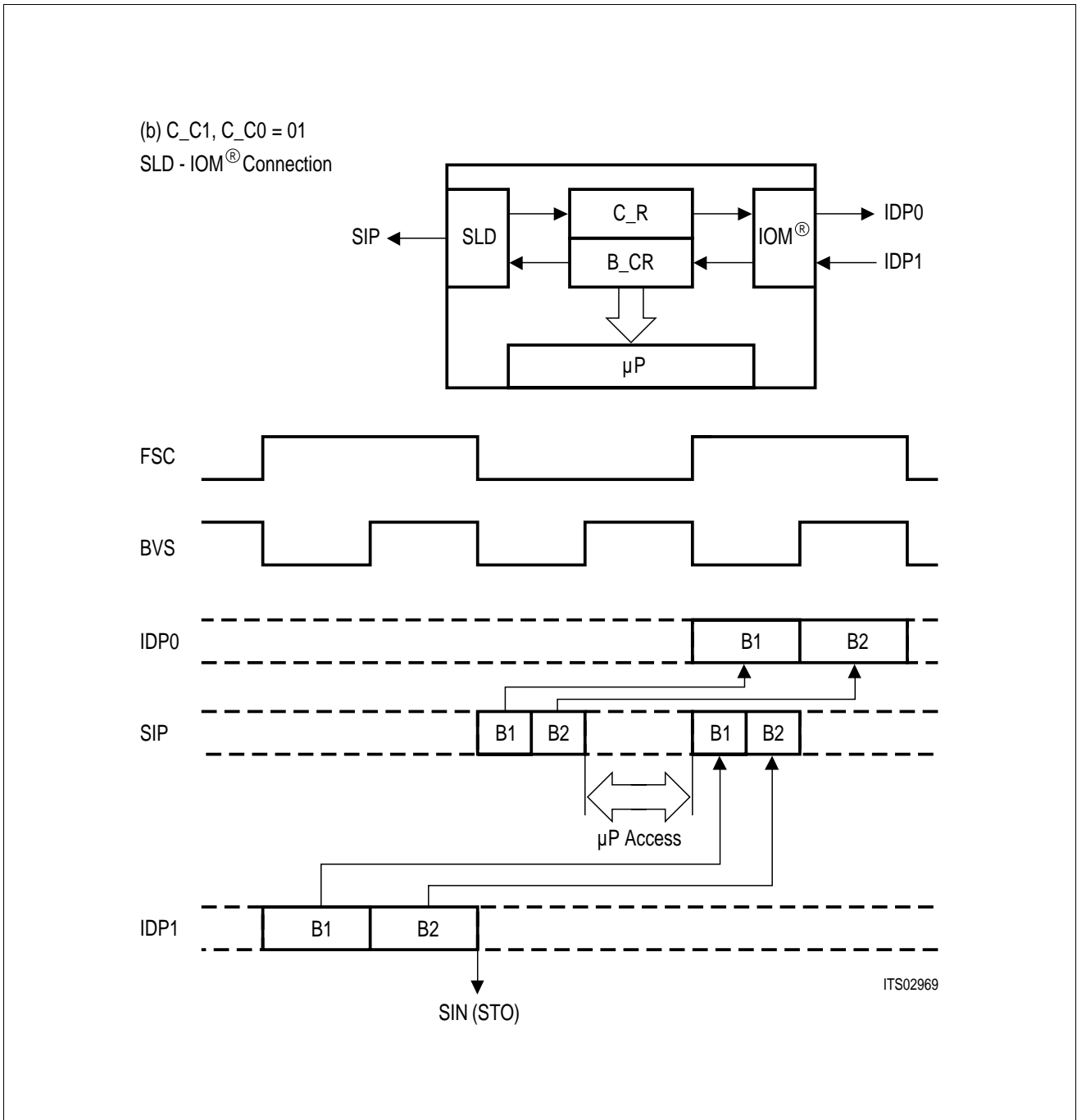


Figure 20b

(c) C_C1, C_C0 = 10
 SSI - IOM[®] Connection

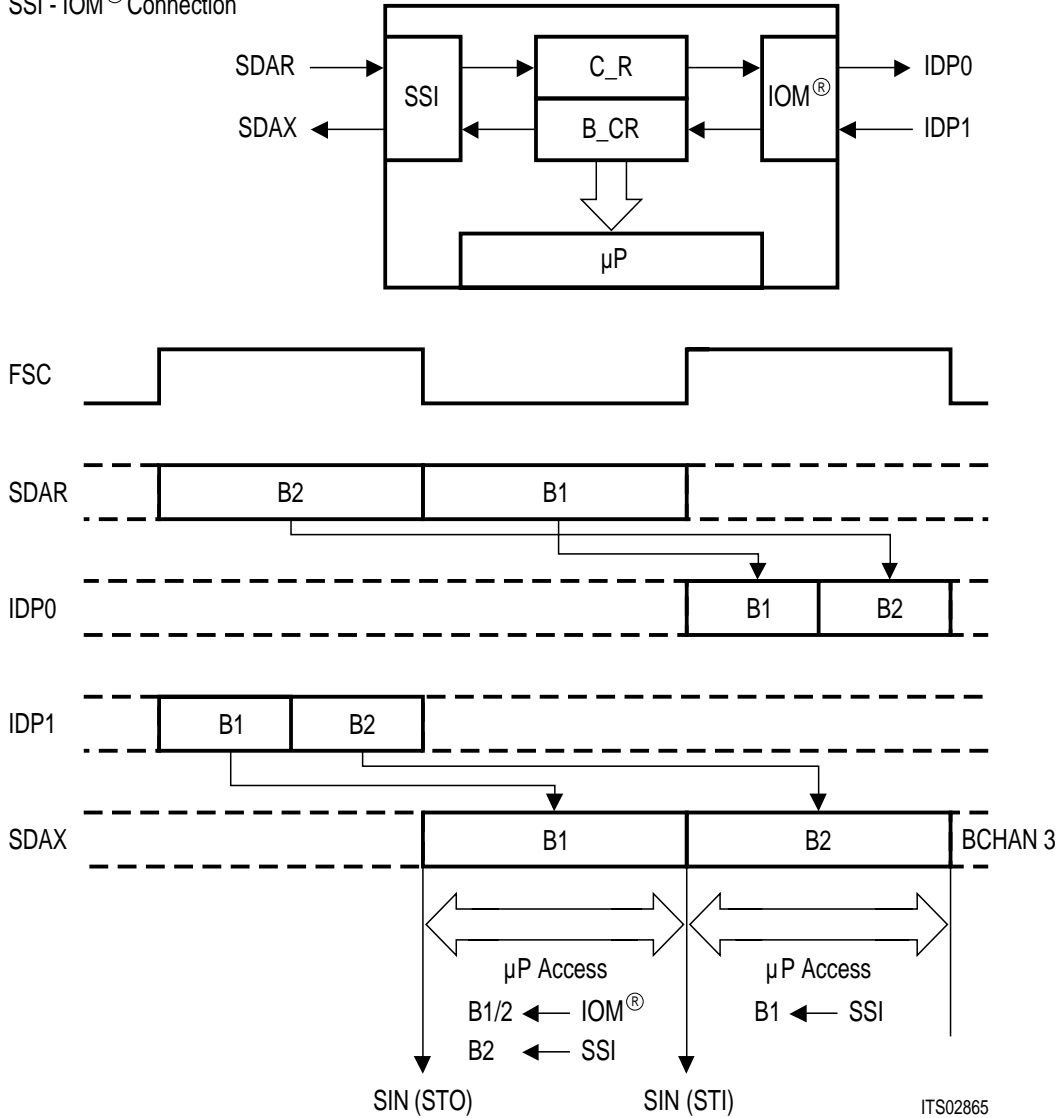


Figure 20c

IOM[®]-2 mode (IMS = 1)

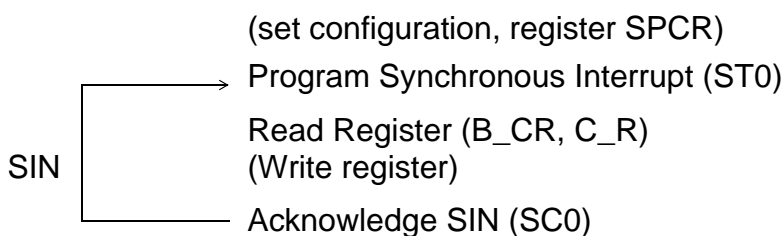
The B1, B2 and/or IC1, IC2 channels are accessed by reading the B1CR/B2CR or by reading and writing the C1R/C2R registers. The μ P access can be synchronized to the IOM interface by means of a Synchronous Transfer programmed in the STCR register.

The read/write access possibilities are shown in **table 8**.

Table 8

C_C1	C_C0	C_R Read	C_R Write	B_CR Read	Output to IOM2	Application(s)
0	0	IC_	–	B_	–	B_monitoring, IC_monitoring
0	1	IC_	IC_	B_	IC_	B_monitoring, IC_looping from/to IOM
1	0	–	B_	B_	B_	B_access from/to IOM; transmission of a constant value in B_channel to IOM.
1	B_	1	B_	–	B_	B_looping from IOM; transmission of a variable pattern in B_channel to IOM.

The general sequence of operations to access the B/IC channels is:



Note: The data transfer itself works independent of the Synchronous Transfer Interrupt. In case of a SOV e.g. transfer is still possible.

2.4.4 C/I Channel Handling

The Command/Indication channel carries real-time status information between the ICC and another device connected to the IOM.

- 1) One C/I channel conveys the commands and indications between a layer-1 device and a layer-2 device. This channel is available in all timing modes (IOM-1 or IOM-2). It can be accessed from the microcontroller e.g. to control the layer-1 activation/deactivation procedures. Access is arbitrated via the TIC bus access protocol:

- in IOM-1 mode, this arbitration is done in the MONITOR channel
- in IOM-2 TE timing mode (SPM = 0), this arbitration is done in C/I channel 2 (see figure 11).

This C/I channel is access via register CIRR/CIR0 (in receive direction layer 1-to-layer 2) and register CIXR/CIX0 (in transmit direction, layer 2-to-layer 1). The code is four bits long.

In the receive direction, the code from layer 1 is continuously monitored, with an interrupt being generated anytime a change occurs. A new code must be found in two consecutive IOM frames to be considered valid and to trigger a C/I code change interrupt status (double last look criterion).

In the transmit direction, the code written in CIXR/CIX0 is continuously transmitted in the channel.

- 2) A second C/I channel (called C/I1) can be used to convey real time status information between the ICC and various non-layer 1 peripheral devices. The channel consists of six bits in each direction. It is available only in the IOM-2 terminal timing mode (see figure 11).

The C/I1 channel is accessed via registers CIR1 and CIX1. A change in the received C/I1 code is indicated by an interrupt status without double last look criterion.

2.4.5 MONITOR Channel Handling

IOM[®]-1

The MONITOR channel protocol can be used to exchange one byte of information at a time between the ICC and another device (e.g. layer-1 transceiver).

The procedure is as follows:

MONITOR Transmit Channel (MOX) register is loaded with the value to be sent in the outgoing MONITOR channel. (Bytes of the form F_{xH} are not allowed for this purpose because of the TIC bus collision resolution procedure).

The receiving device interprets the incoming MONITOR value as a control/information byte, F_{XH} excluded. If no response is expected, the procedure is complete. If the receiving device shall react by transmitting information to the ICC, it should set the E bit to 0 and send the response in the MONITOR channel of the following frame. The ICC

- latches the value in the MONITOR channel of the frame immediately following a frame with “E = 0” into MOR register.
- generates a MONITOR Status interrupt MOS (EXIR register) to indicate that the MOR register has been loaded. **See figure 21.**

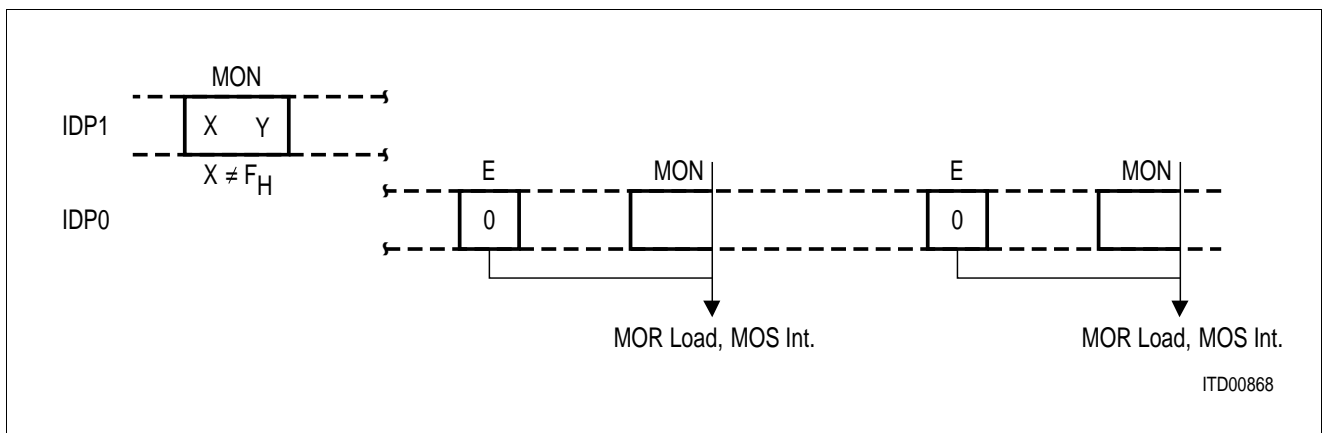


Figure 21

IOM[®]-2

In this case, the MONITOR channel protocol is a handshake protocol used for high speed information exchange between the ICC and other devices, in MONITOR channel 0 or 1 (**see figure 11**). In the non-TE mode, only one MONITOR channel is available (“MONITOR channel 0”).

The MONITOR channel protocol is necessary (**see figure 22**):

- For programming and controlling devices attached to the IOM. Examples of such devices are: layer-1 transceivers (using MONITOR channel 0), and peripheral V/D modules that do not have a parallel microcontroller interface (MONITOR channel 1), such as the Audio Ringing Codec Filter PSB 2160.
- For data exchange between two microcontroller systems attached to two different devices on one IOM-2 backplane. Use of the MONITOR channel avoids the necessity of a dedicated serial communication path between the two systems. This greatly simplifies the system design of terminal equipment (**figure 22**).

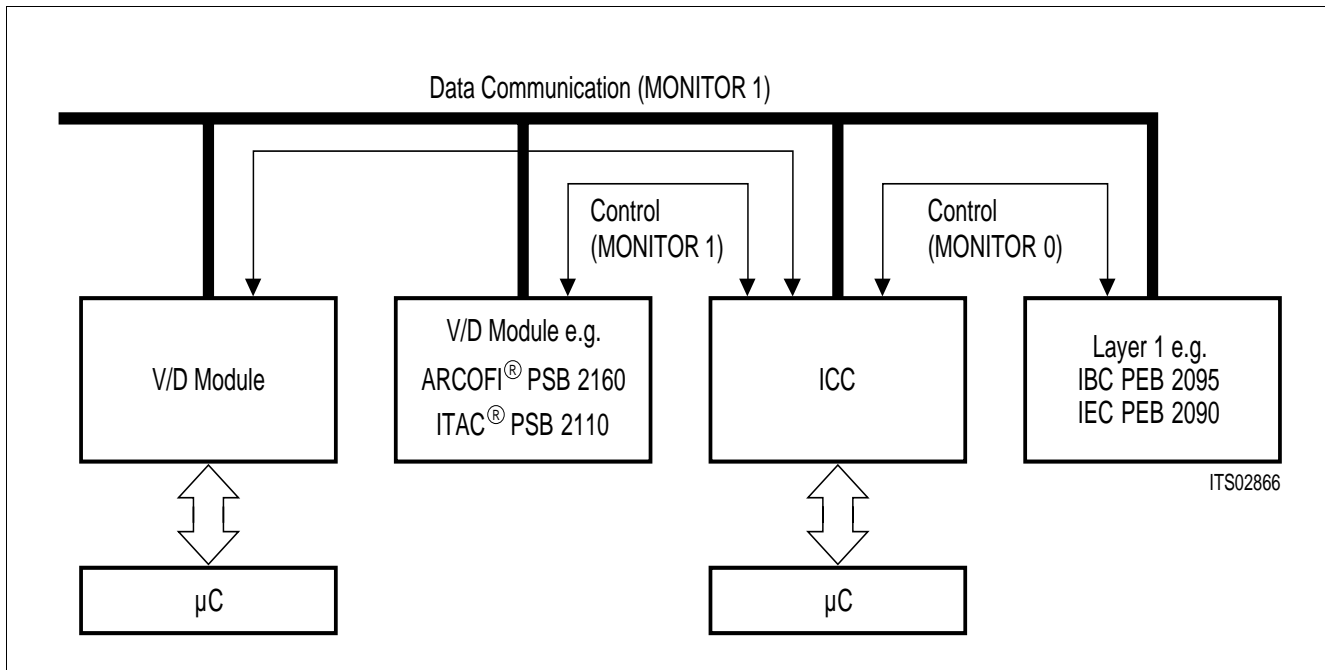


Figure 22
Examples of MONITOR Channel Applications

The MONITOR channel operates on an asynchronous basis. While data transfers on the bus take place synchronized to frame sync, the flow of data is controlled by a handshake procedure using the MONITOR Channel Receive (MR0 or 1) and MONITOR Channel Transmit (MX0 or 1) bits. For example: data is placed onto the MONITOR channel and the MX bit is activated. This data will be transmitted repeatedly once per 8-kHz frame until the transfer is acknowledged via the MR bit.

The microprocessor may either enforce a “1” (idle) in MR, MX by setting the control bit MRC1,0 or MXC1,0 to “0” (MONITOR Control Register MOCR), or enable the control of these bits internally by the ICC according to the MONITOR channel protocol. Thus, before a data exchange can begin, the control bit MRC(1,0), or MXC(1,0) should be set to “1” by the microprocessor.

The MONITOR channel protocol is illustrated in **figure 23**. Since the protocol is identical in MONITOR channel 0 and MONITOR channel 1 (available in TE mode only), the index 0 or 1 has been left out in the illustration.

The relevant status bits are:

- MONITOR Channel Data Received MDR (MDR0, MDR1)
- MONITOR Channel End of Reception MER (MER0, MER1)
- for the **reception** of MONITOR data, and
- MONITOR Channel Data Acknowledged MDA (MDA0, MDA1)
- MONITOR Channel Data Abort MAB (MAB0, MAB1)
- for the **transmission** of MONITOR data (Register: MOSR).

In addition, the status bit:

MONITOR Channel Active MAC (MAC0, MAC1)

indicates whether a transmission is in progress (Register: STAR).

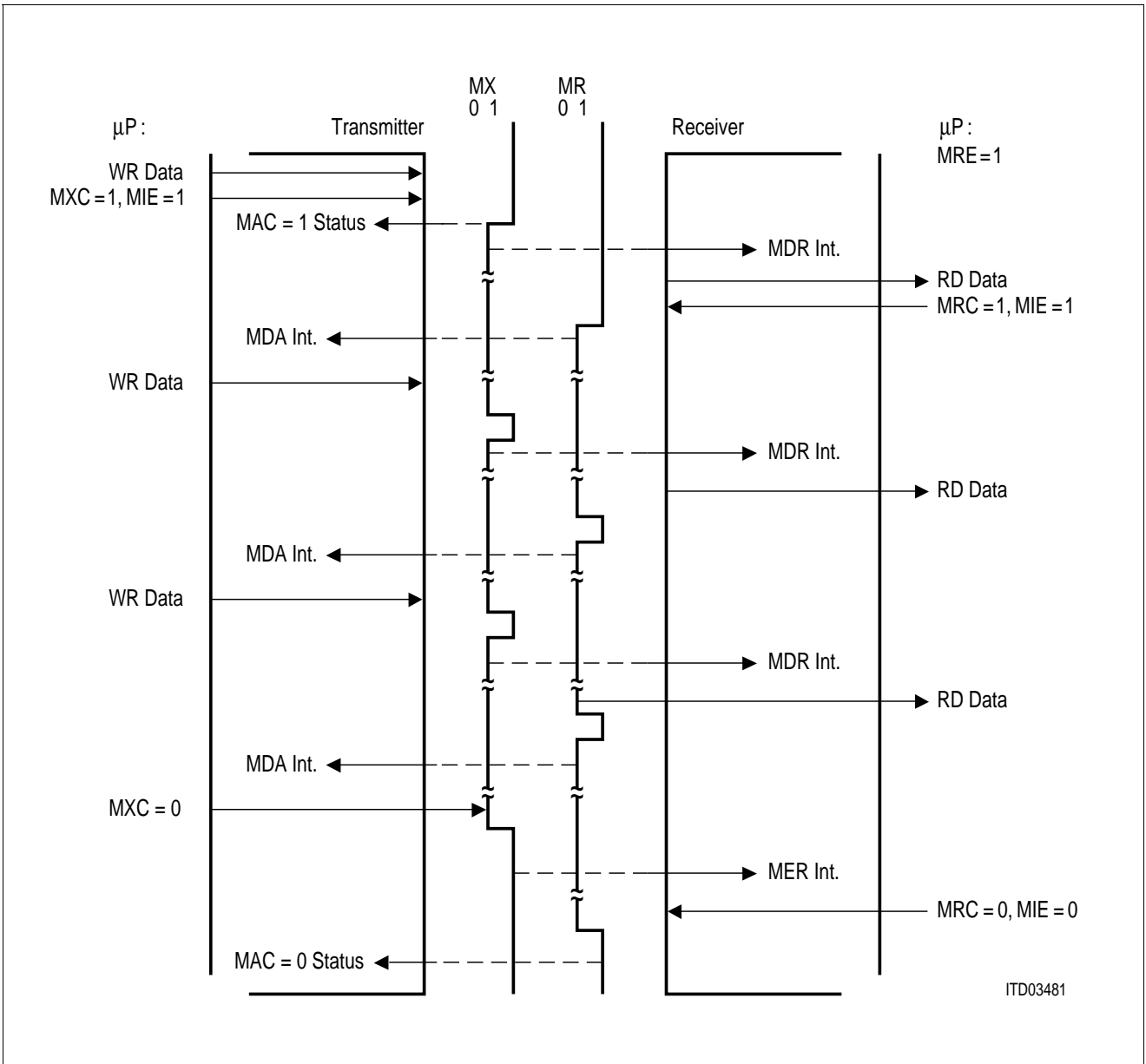


Figure 23

Before starting a transmission, the microprocessor should verify that the transmitter is inactive, i.e. that a possible previous transmission has been terminated. This is indicated by an “0” in the MONITOR Channel Active MAC status bit.

After having written the MONITOR Data Transmit (MOX) register, the microprocessor sets the MONITOR Transmit Control bit MXC to 1. This enables the MX bit to go active (0), indicating the presence of valid MONITOR data (contents of MOX) in the corresponding frame.

As a result, the receiving device stores the MONITOR byte in its MONITOR Receive MOR register and generates a MDR interrupt status.

Alerted by the MDR interrupt, the microprocessor reads the MONITOR Receive (MOR) register. When it is ready to accept data (e.g. based on the value in MOR, which in a point-to-multipoint application might be the address of the destination device), it sets the MR control bit MRC to “1” to enable the receiver to store succeeding MONITOR channel bytes and acknowledge them according to the MONITOR channel protocol. In addition, it enables other MONITOR channel interrupts by setting MONITOR Interrupt Enable to “1”.

As a result, the first MONITOR byte is acknowledged by the receiving device setting the MR bit to “0”. This causes a MONITOR Data Acknowledge MDA interrupt status at the transmitter.

A new MONITOR data byte can now be written by the microprocessor in MOX. The MX bit is still in the active (0) state. The transmitter indicates a new byte in the MONITOR channel by returning the MX bit active after sending it once in the inactive state. As a result, the receiver stores the MONITOR byte in MOR and generates anew a MDR interrupt status. When the microprocessor has read the MOR register, the receiver acknowledges the data by returning the MR bit active after sending it once in the inactive state. This in turn causes the transmitter to generate a MDA interrupt status.

This “MDA interrupt - write data - MDR interrupt - read data - MDA interrupt” handshake is repeated as long as the transmitter has data to send. Note that the MONITOR channel protocol imposes no maximum reaction times to the microprocessor.

When the last byte has been acknowledged by the receiver (MDA interrupt status), the microprocessor sets the MONITOR Transmit Control bit MXC to 0. This enforces an inactive (“1”) state in the MX bit. Two frames of MX inactive signifies the end of a message. Thus, a MONITOR Channel End of Reception MER interrupt status is generated by the receiver when the MX is received in the inactive state in two consecutive frames. As a result, the microprocessor sets the MR control bit MRC to 0, which in turn enforces an inactive state in the MR bit. This marks the end of the transmission, making the MONITOR Channel Active MAC bit return to “0”.

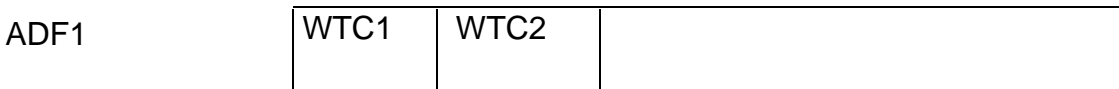
During a transmission process, it is possible for the receiver to ask a transmission to be aborted by sending an inactive MR bit value in two consecutive frames. This is effected by the microprocessor writing the MR control bit MRC to 0. An aborted transmission is indicated by a MONITOR Channel Data Abort MAB interrupt status at the transmitter.

2.4.6 Terminal Specific Functions

In addition to the standard functions supporting the ISDN basic access, the ICC contains optional functions, useful in various terminal configurations.

The terminal specific function are enabled by setting bit TSF (STCR register) to “1”. This has two effects:

- The SIP/EAW line is defined as External Awake input (and not as SLD line);
- Second, the interrupts SAW and WOV (EXIR register) are enabled:
 - SAW (Subscriber Awake) generated by a falling edge on the EAW line
 - WOV (Watchdog Timer Overflow) generated by the watchdog timer. This occurs when the processor fails to write two consecutive bit patterns in ADF1:



Watchdog Timer Control 1,0.

The WTC1 and WTC2 bits have to be successively written in the following manner within 128 ms:

	WTC1	WTC2
1.	1	0
2.	0	1

As a result the watchdog timer is reset and restarted. Otherwise a WOV is generated.

Deactivating the terminal specific functions is only possible with a hardware reset.

Having enable the terminal specific functions via TSF = 1, the user can make the ICC generate a reset signal by programming the Reset Source Select **RSS** bit (CIX0 register), as follows:

- 0 → A reset signal is generated as a result of
- a falling edge on the EAW line (subscriber awake)
 - a C/I code change (exchange awake).

A falling edge on the EAW line also forces the IDP1 line of the IOM interface to zero.

Note: This should normally induce the attached layer-1 device to leave the power down state and supply clocking to ICC via DCL and FSC.

A corresponding interrupt status (CIC or SAW) is also generated.

1 → A reset signal is generated as a result of the expiration of the watchdog timer (indicated by the WOV interrupt status).

Note: That the watchdog timer is not running when the ICC is in the power-down state (IOM not clocked).

Note: Bit RSS has a significance only if terminal specific functions are activated (TSF = 1).

The RSS bit should be set to “1” by the user when the ICC is in power-up to prevent an edge on the EAW line or a change in the C/I code from generating a reset pulse.

Switching RSS from 0 to 1 or from 1 to 0 resets the watchdog timer.

The reset pulse generated by the ICC (output via RES pin) has a pulse width of 5 ms and is an active high signal.

2.4.7 Test Functions

The ICC provides the following test and diagnostic functions:

- digital loop via TLP (Test Loop, SPCR register) command bit: IDP1 is internally connected with IDP0, external input on IDP0 is ignored: this is used in system tests, to test layer-2 functionality independent of layer 1;
- special loops programmed via C2C1-0 and C1C1-0 bits (register SPCR, cf. 2.4.3).

2.4.8 Documentation of the Auto Mode

The Auto Mode of the ICC and ISAC-S is only applicable for the states 7 and 8 of the LAPD protocol. All other states (1 to 6) have to be performed in Non-Auto Mode (NAM). Therefore this documentation gives an overview of how the device reacts in the states 7 and 8, which reactions require software programming and which are done by the hardware itself, when interrupts and status register contents are set or change. The necessary software actions are also detailed in terms of command or mode register access.

The description is based on the SDL-Diagrams of the ETSI TS 46-20 dated 1989.

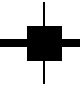


The diagrams are only annotated by documentary signs or texts (mostly register descriptions) and can therefore easily be interpreted by anyone familiar with the SDL description of LAPD. All deviations that occur are specially marked and the impossible actions, path etc. are crossed out.

To get acquainted with this documentation, first read through the legend-description and the additional general considerations, then start with the diagrams, referring to the legend and the register description in the Technical Manual if necessary.

We hope you will profit from this documentation and use our software-saving auto mode.

Legend of the Auto Mode Documentation

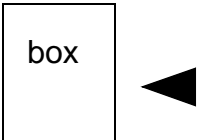
a. Symbols within a path
There are 3 symbols within a path

- | | | |
|-----|---|---|
| a.1 |  | In the auto mode the device processes all subsequent state transitions branchings etc. up to the next symbol. |
| a.2 |  | In the auto mode the device does not process the state transitions, branchings, etc. Within the path appropriate directions are given with which the software can accomplish the required action. |
| a.3 |  | A path cannot be implemented and no software or hardware action can change this. These path are either optional or only applicable for window-size > 1. |

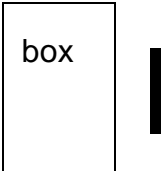
b. Symbols at a path
There is 1 symbol at a path

b.1  marks the beginning of a path, for which a.3 applies

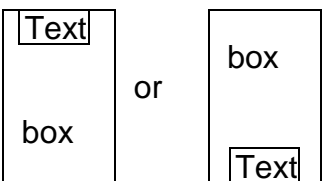
c Symbols at an internal or external message box.
There are 2 symbols at a message box.


c.1  This symbol means, that the action described in the box is not possible. Either the action specified is not done at all (box crossed out) or an additional action is taken (written into the box).

Note: The impossibility to perform the optional T203 timer-procedure is not explicitly mentioned; the corresponding actions are only crossed out.

c.2  This symbol means, that within a software-path, by taking the prescribed register actions the contents of the box will be done automatically.

d. Text within boxes
Text within boxes can be grouped in one of two classes.

d.1  The text denotes an interrupt which is always associated with the event (but can also be associated with other events). (See ISTA and EXIR register description in the Technical Manual for an interrupt description)

d.2  The text describes a register access

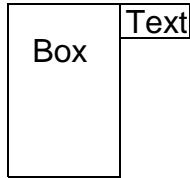
either a register read access to discriminate this state from others or to reach a branching condition.

or a register write access to give a command.

The text is placed in the box that describes the functions for which the register access is needed.

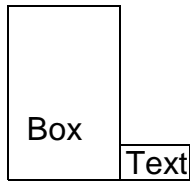
e. Text at the side of boxes

e.1



The text describes an interrupt associated with the contents of the box. The interrupt is always associated with the box contents, if the interrupt name is not followed by a “/”, it is associated only under appropriate conditions if a “/” is behind it.

e.1

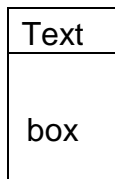


The text describes a possible or mandatory change of a bit in a status-register associated with the contents of the box.

(The attached texts can also be placed on the left side.)

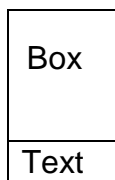
f. Text above and below boxes

f.1



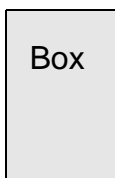
Text describes a mandatory action to be performed on the contents of the box.

f.2



Text describes a mandatory action to be taken as a result of the contents of the box. Action here means register access.

g. Shaded boxes



The box describes an impossible state or action for the device.

Additional General Considerations when Using the Auto Mode

a) Switching from Auto Mode to Non-Auto Mode.

As mentioned in the introduction the Auto Mode is only applicable in the states 7 and 8 of the LAPD. Therefore whenever these states have to be left (which is indicated by a "Mode:NAM" text) there are several actions to be taken that could not all be detailed in the SDL-diagrams:

- a.1) write Non Auto Mode and TMD = 0 into the mode register.
- a.2) write the timer register with an arbitrary value to stop it. The timer T200 as specified in the LAPD-Protocol is implemented in the hardware only in the states 7 and 8; in all other states this or any other timer-procedure has to be done by the software with the possible use of the timer in external timer mode
- a.3) read the WFA bit of the STAR2 register and store it in a software variable. The information in this bit may be necessary for later decisions. When switching from Auto Mode to Non-Auto Mode XPR interrupts may be lost.
- a.4) In the Non-Auto Mode the software has to decode I, U and S-frames because I and S frames are only handled autonomously in the Auto Mode.
- a.5) The RSC and PCE interrupts, the contents of the STAR2 register and the RRNR bit in the STAR register are only meaningful within the Auto Mode.
- a.6) leave some time before RHR or XRES is written to reset the counters, as a currently sent frame may not be finished yet.

b) What has to be written to the XFIFO?

In the legend description when the software has to write contents of a frame to the XFIFO only "XFIFO" is shown in the corresponding box. We shall give here a general rule of what has to be written to the XFIFO:

- a) For sending an I frame with CMDR:XIF, only the information field content, i.e. no SAPI, TEI, control field should be written to the XFIFO
- b) For sending an U frame or any other frame with CMDR:XTF, the SAPI, TEI and the control field has to be written to the XFIFO.

c) The interrupts XPR and XMR.

The occurrence of an XPR interrupt in Auto Mode after an XIF command indicates that the I frame sent was acknowledged and the next I frame can be sent, if STAR2:TREC indicates state 7 and STAR:RRNR indicates Peer Rec not busy. If Peer Rec is busy after an XPR, the software should wait for the next RSC interrupt before sending the next I-frame. If the XPR happens to be in the Timer Recovery state, the software has to poll the STAR2 register until the state Multiple Frame Established is reached or a TIN interrupt is issued which requires Auto Mode to be left (One of these two conditions will occur before the time $T200 \times N200$). In Non-Auto Mode or after an XTF command the XPR just indicates, that the frame was sent successfully.

The occurrence of an XMR interrupt in Auto Mode after an XIF command indicates that the I frame sent was either rejected by the Peer Entity or that a collision occurred on the S interface. In both cases the I frame has to be retransmitted (after an eventual waiting for the RSC interrupt if the Peer Rec was busy; after an XMR the device will always be in the state 7). In Non-Auto Mode or after an XTF command the XMR indicates that a collision occurred on the S interface and the frame has to be retransmitted.

- d) The resetting of the RC variable:

The RC variable is reset in the ICC and ISAC-S when leaving the state Timer Recovery. The SLD diagrams indicate a reset in the state Multiple Frame Established when T200 expires. There is no difference to the outside world between these implementations however our implementation is clearer.

- e) The timer T203 procedure:

We do not fully support the optional timer T203 procedure, but we can still find out whether or not S frames are sent on the link in the Auto Mode. By polling the STAR2:SDET bit and (re)starting a software timer whenever a one is read we can build a quasi T203 procedure which handles approximately the same task. When T203 expires one is supposed to go into the Timer Recovery State with RC = 0. This is possible for the ICC and ISAC-S by just writing the STI bit in the CMDR register (Auto Mode and Internal Timer Mode assumed).

- f) The congestion procedure as defined in the 1 TR 6 of the "Deutsche Bundespost".

In the 1 TR 6a variable N2x4 is defined for the maximum number of Peer Busy requests. The 1 TR is in this respect not compatible with the Q921 of CCITT or the ETSI 46 – 20 but it is, nevertheless, sensible to avoid getting into a hangup situation. With the ICC and ISAC-S this procedure can be implemented:

After receiving an RSC interrupt with RRNR set one starts a software – timer. The timer is reset and stopped if one either receives another RSC interrupt with a reset RRNR, if one receives a TIN interrupt or if other conditions occur that result in a reestablishment of the link. The timer expires after $N2x4 \times T200$ and in this case the 1 TR 6 recommends a reestablishment of the link.

- g) Dealing with error conditions: The SLD diagrams do not give a very detailed description of how to deal with errors. Therefore we prepared a special Application Note:

"How to deal with an error condition of the LAPD-Protocol with your ICC or ISAC-S"

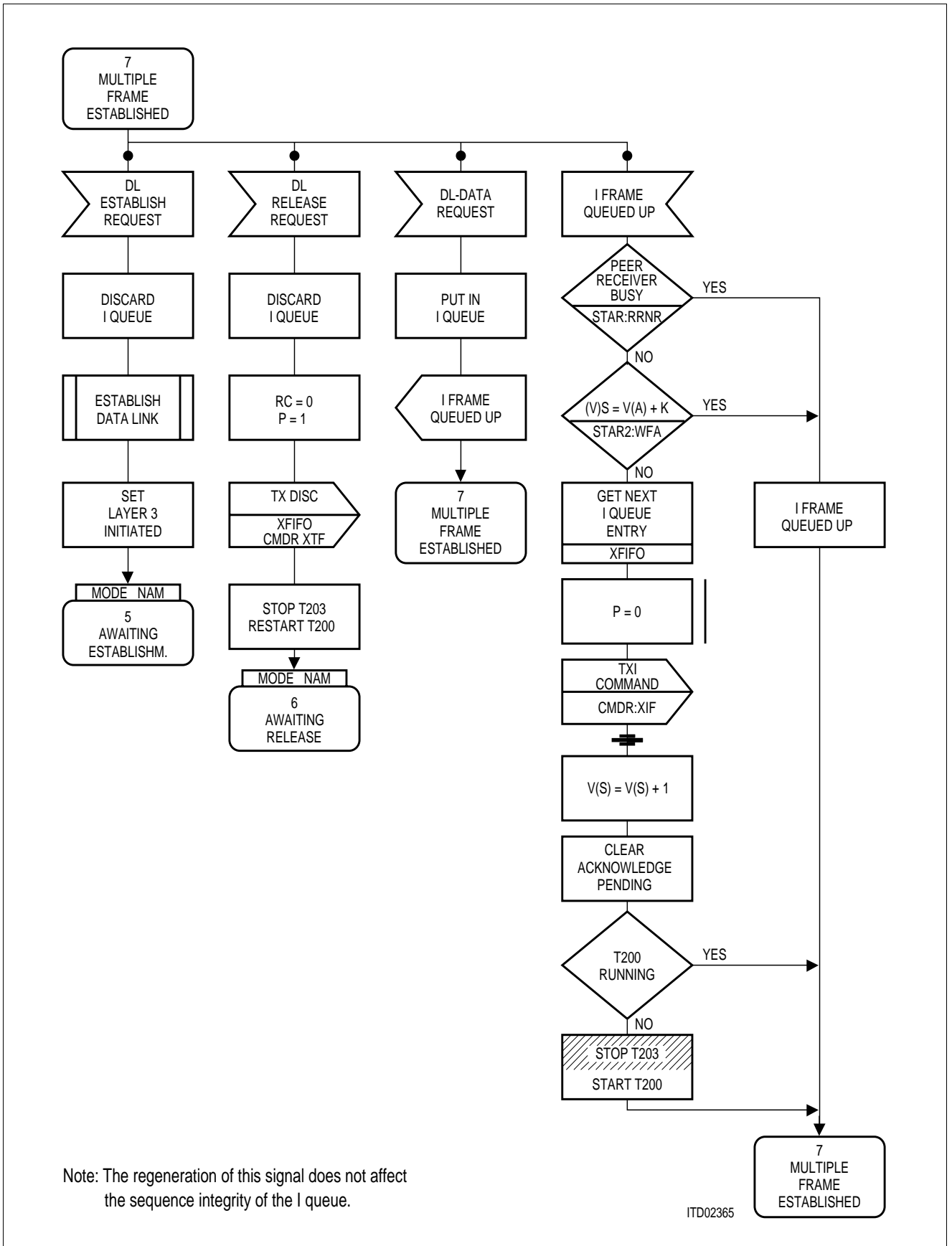
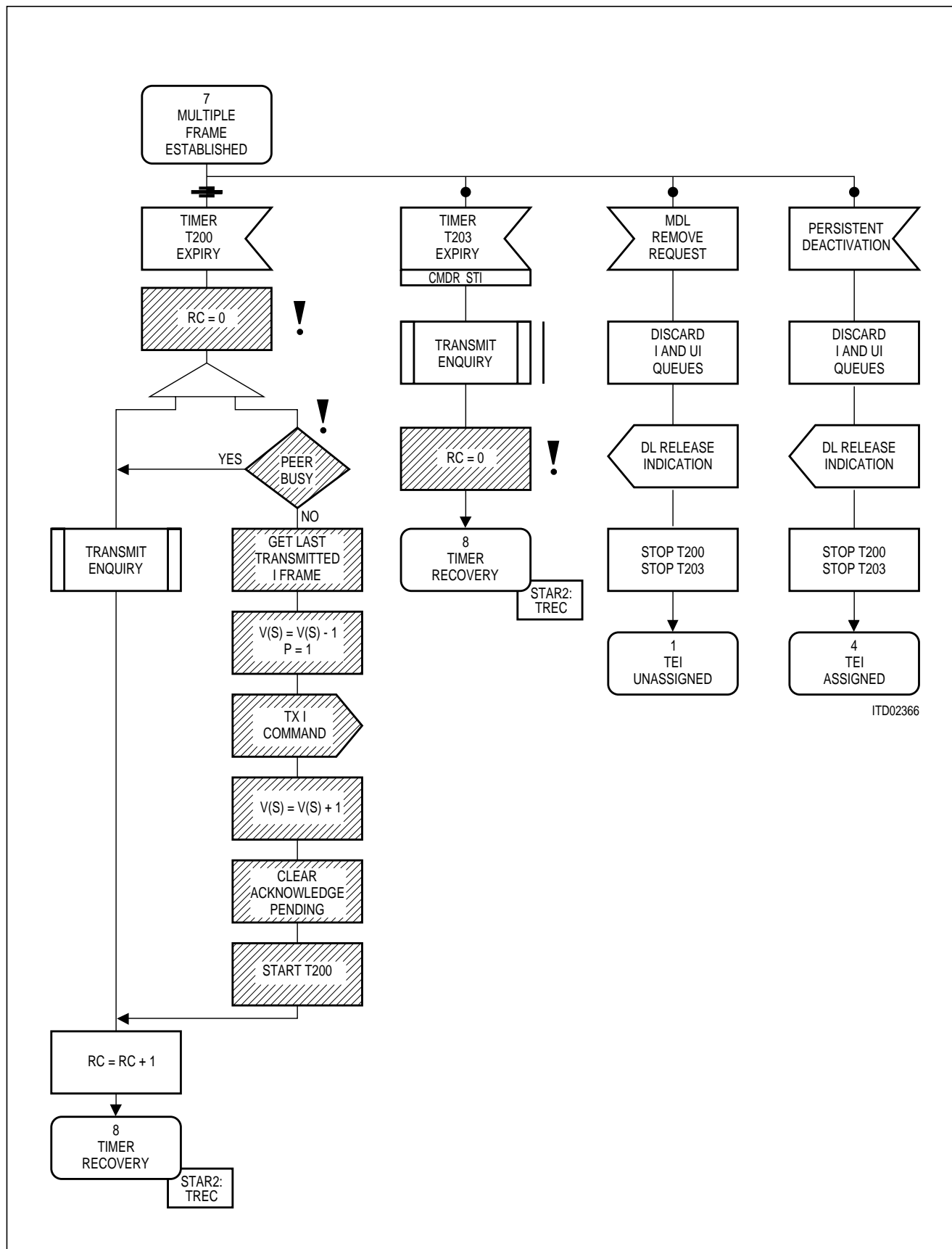
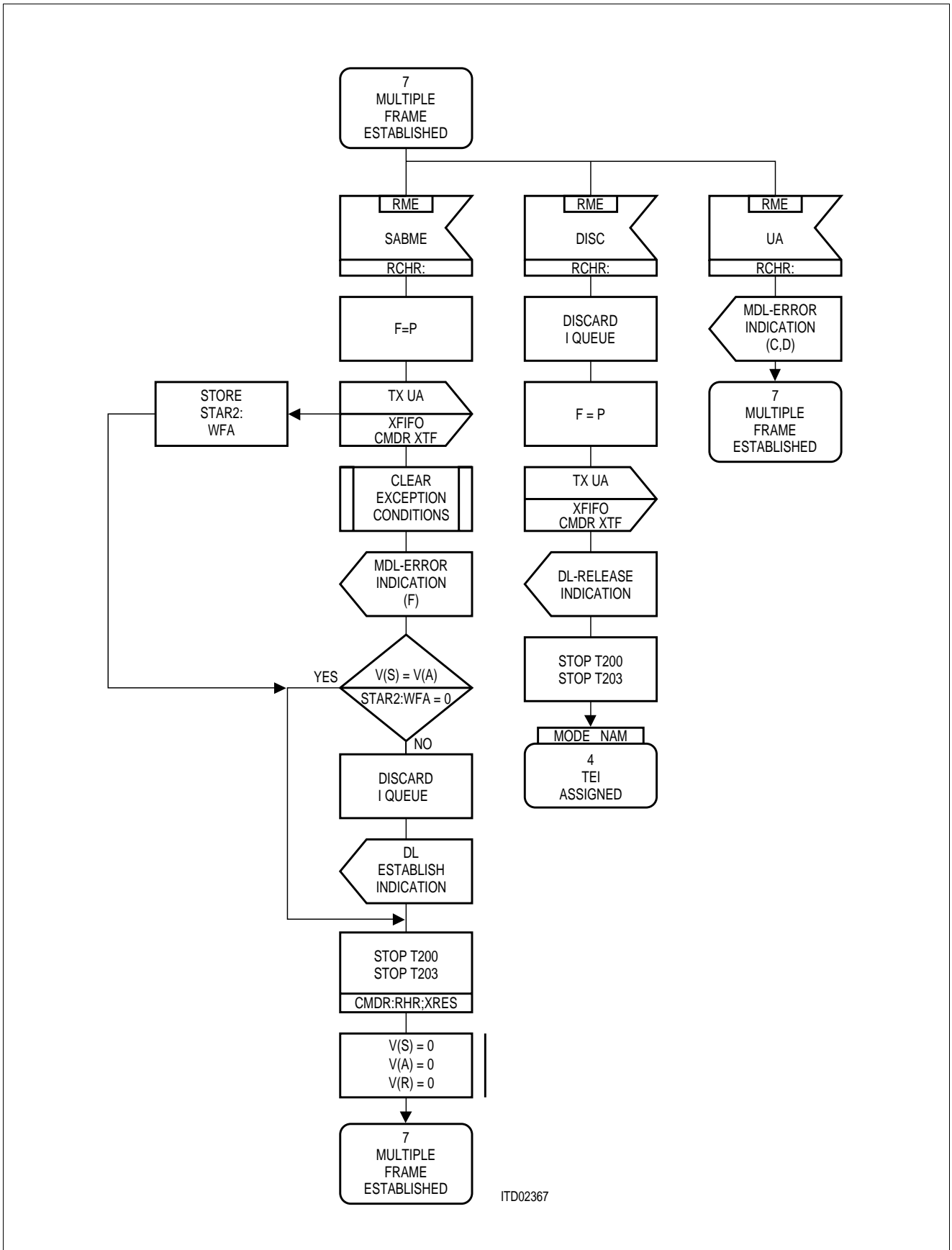


Figure 24a



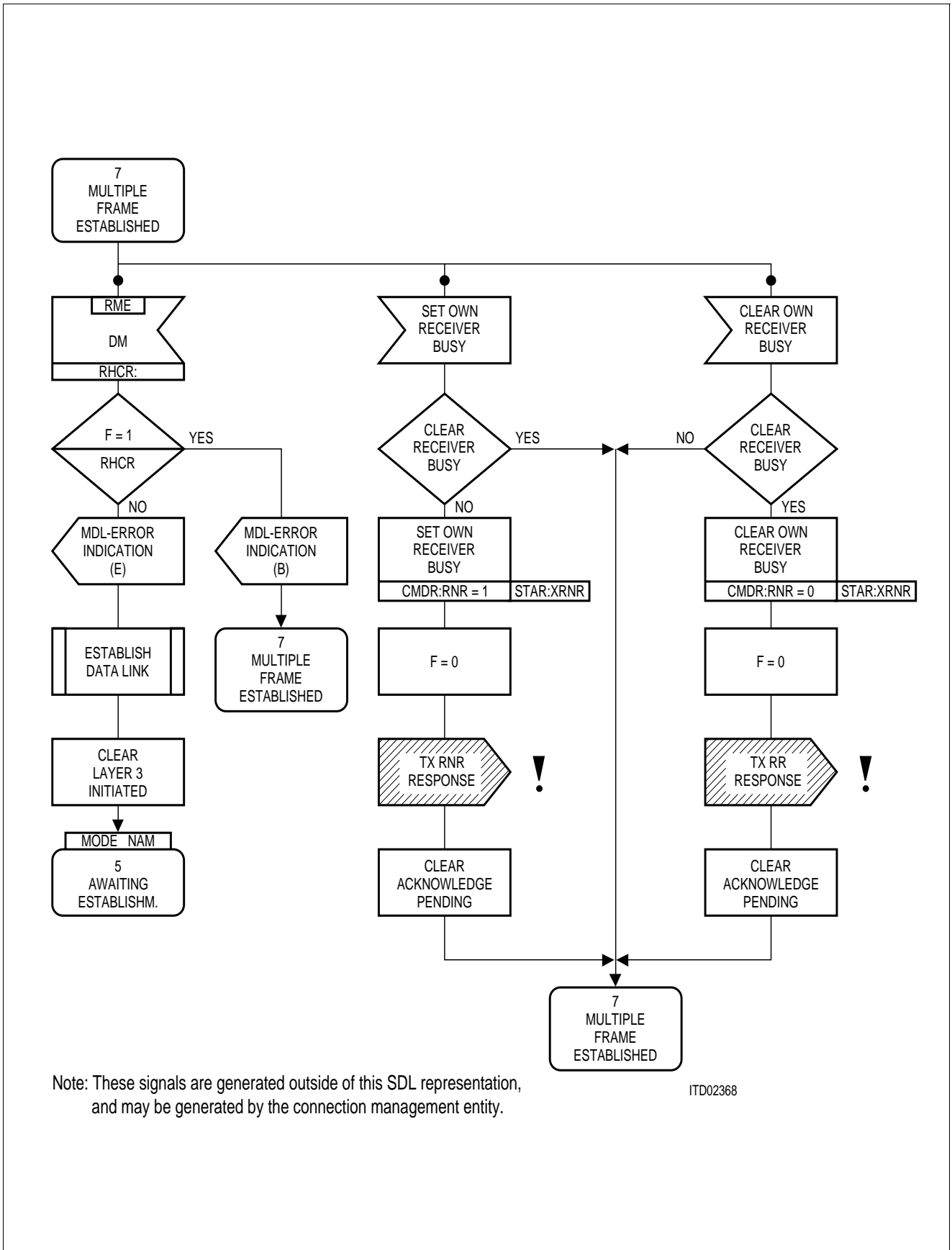
ITD02366

Figure 24b



ITD02367

Figure 24c



Note: These signals are generated outside of this SDL representation, and may be generated by the connection management entity.

ITD02368

Figure 24d

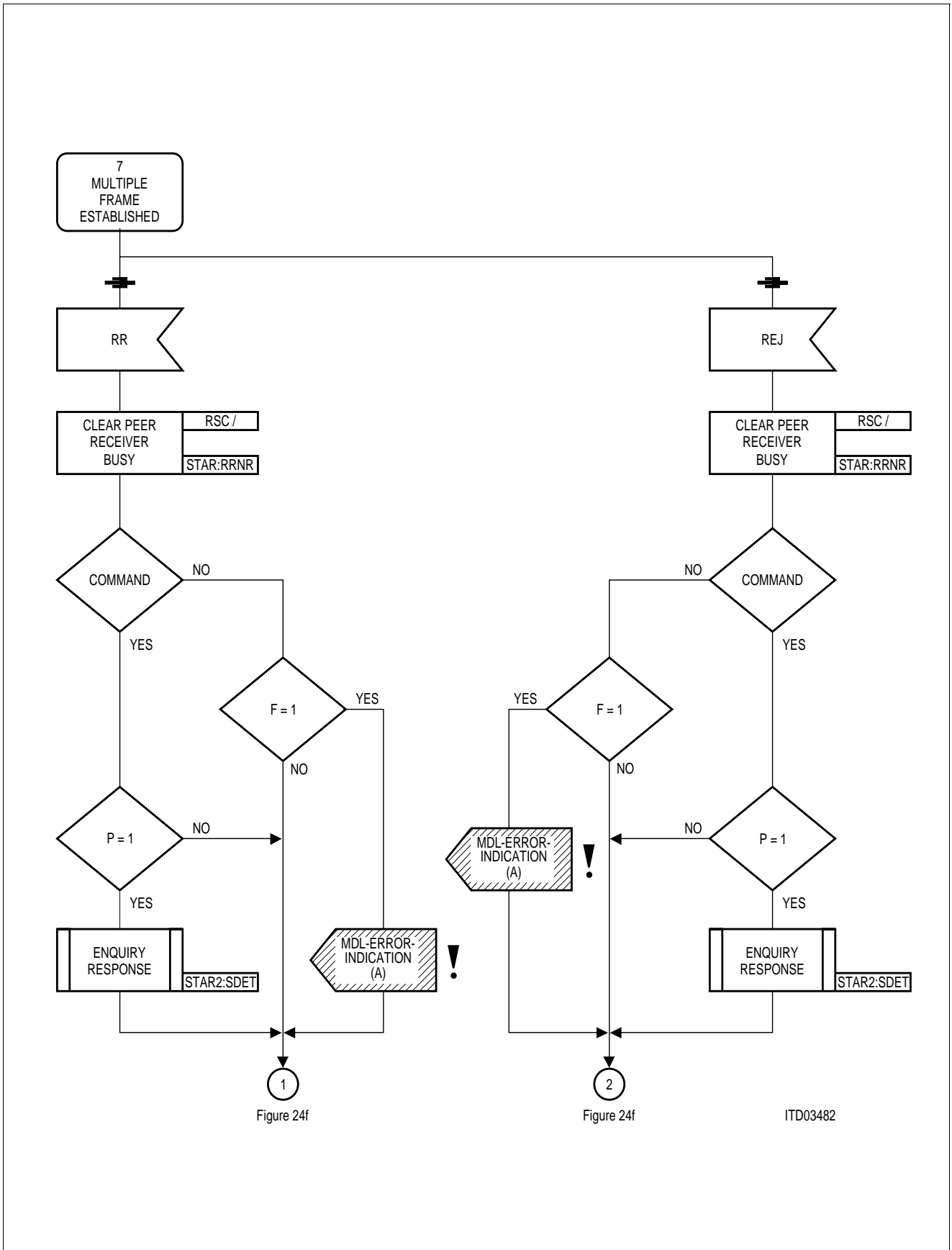
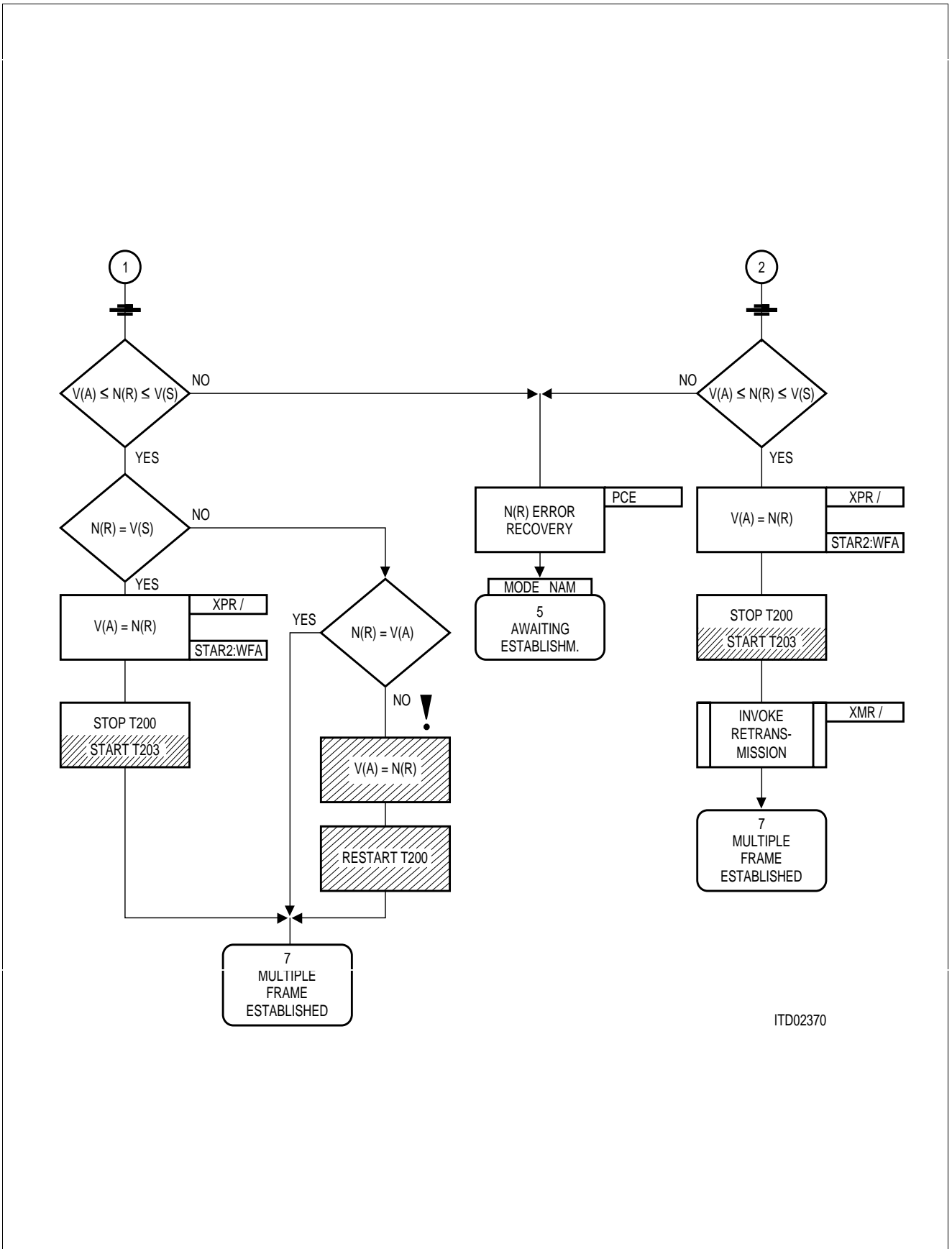


Figure 24e



ITD02370

Figure 24f

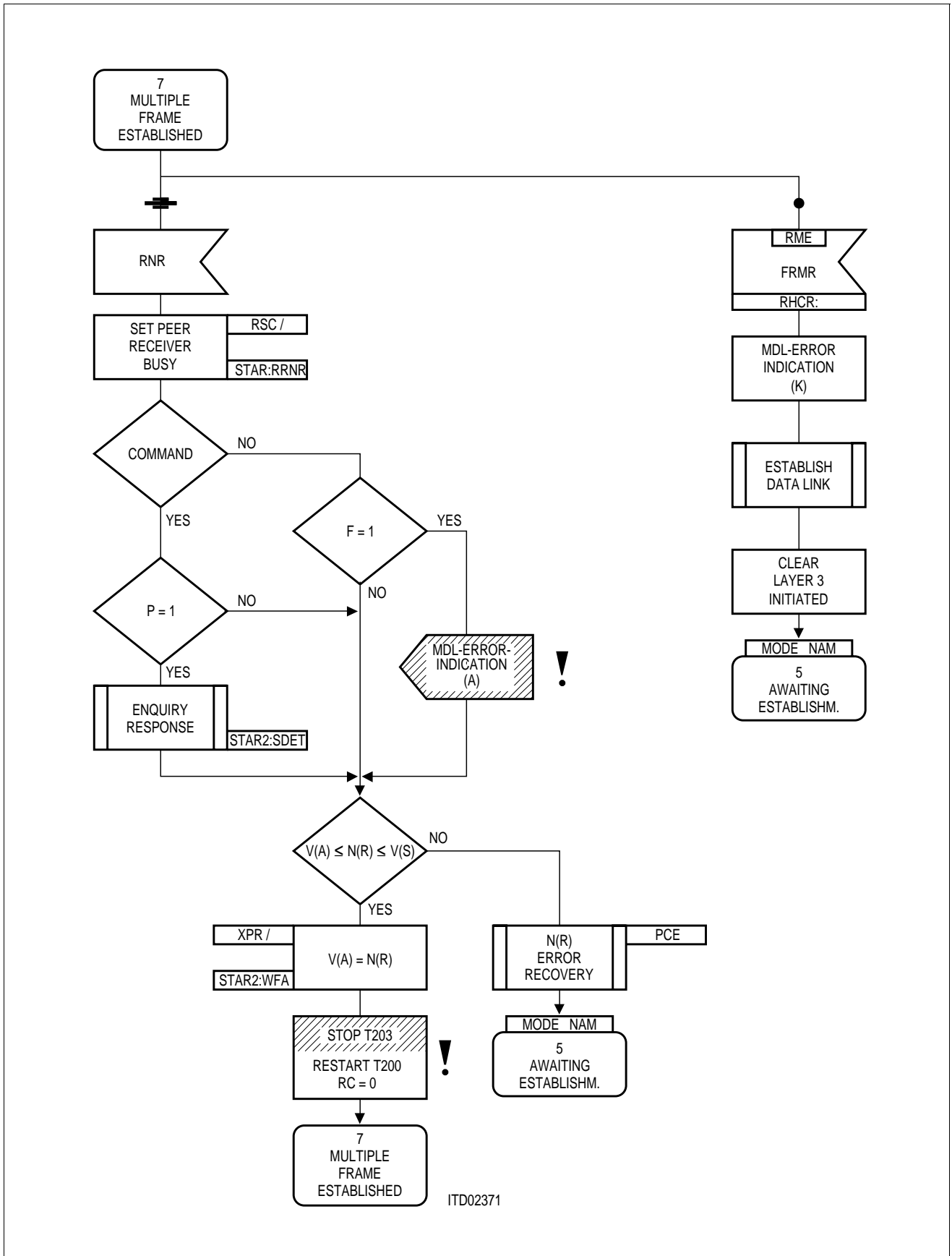
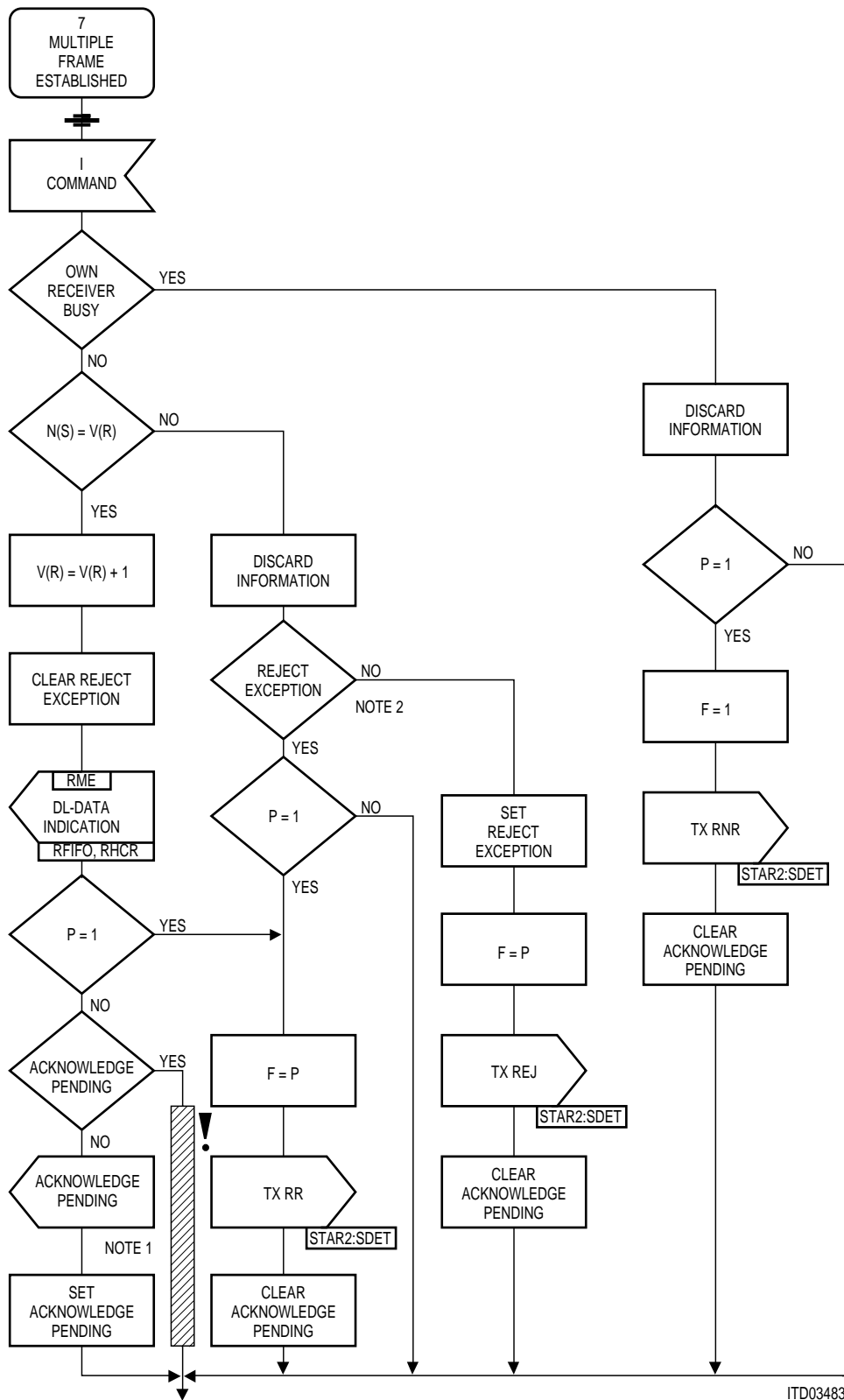


Figure 24g

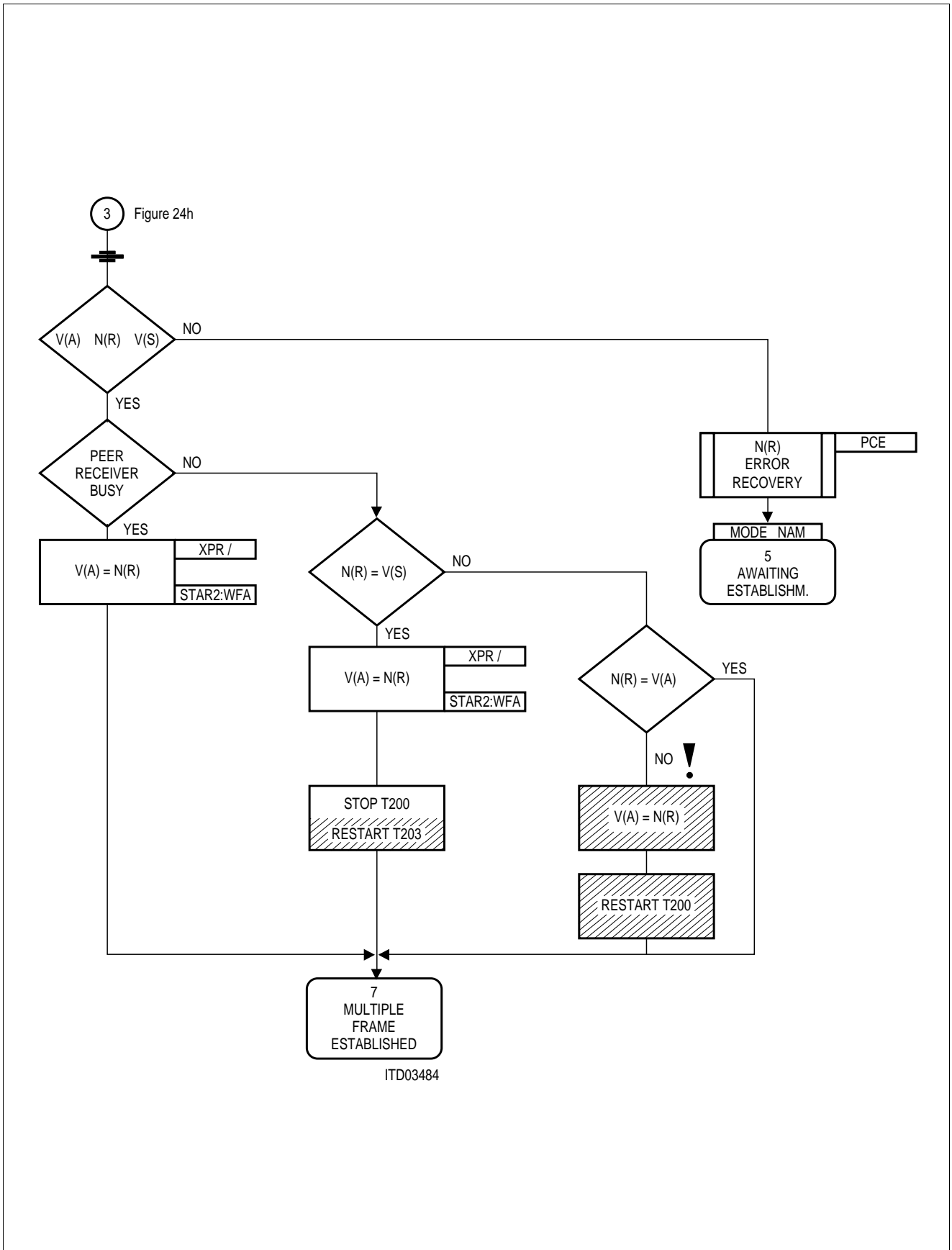


ITD03483

3 Figure 24i

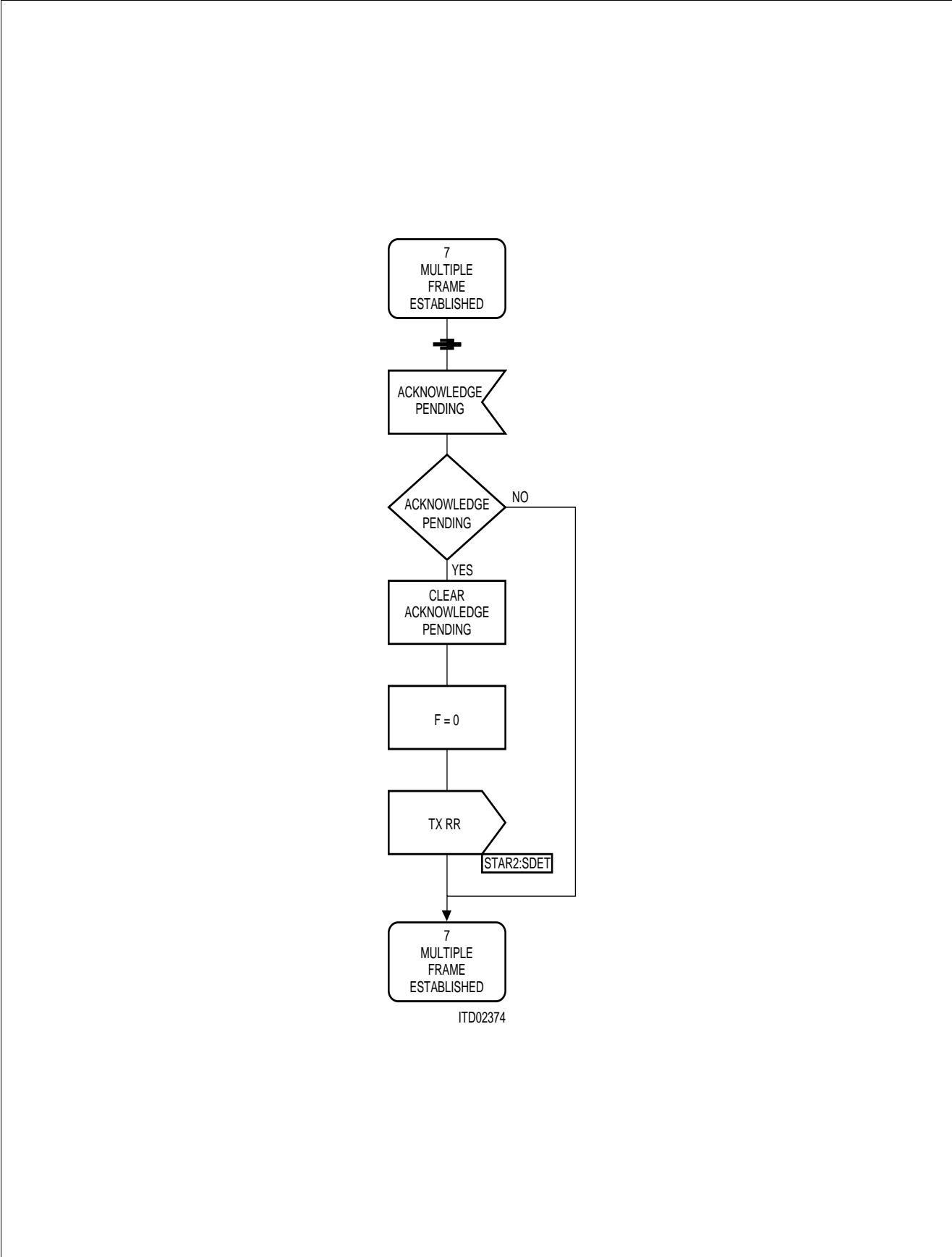
Note 1: Processing of acknowledge pending is described figure 24i
 Note 2: This SDL representation does not include the optional procedure in Appendix I.

Figure 24h



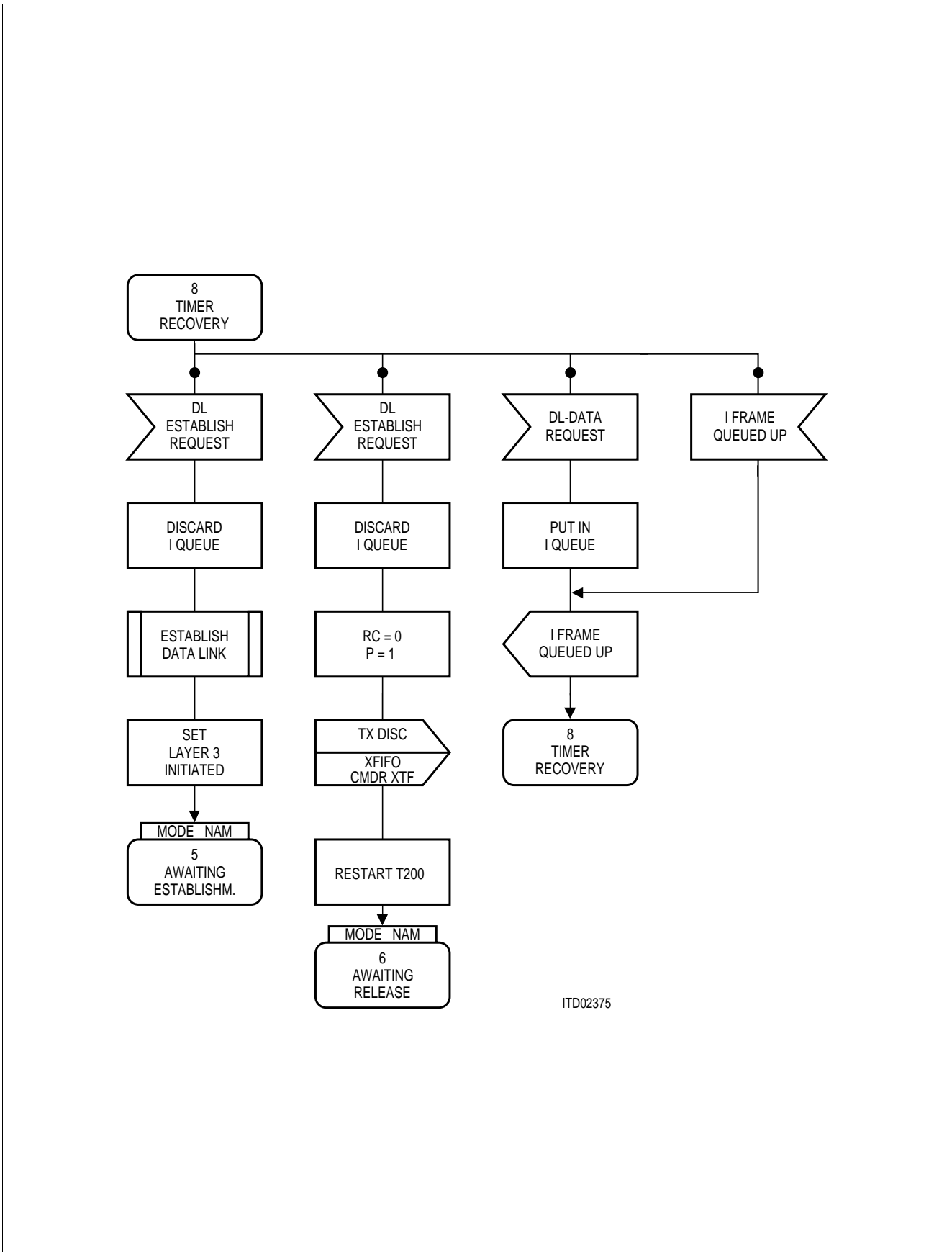
ITD03484

Figure 24i



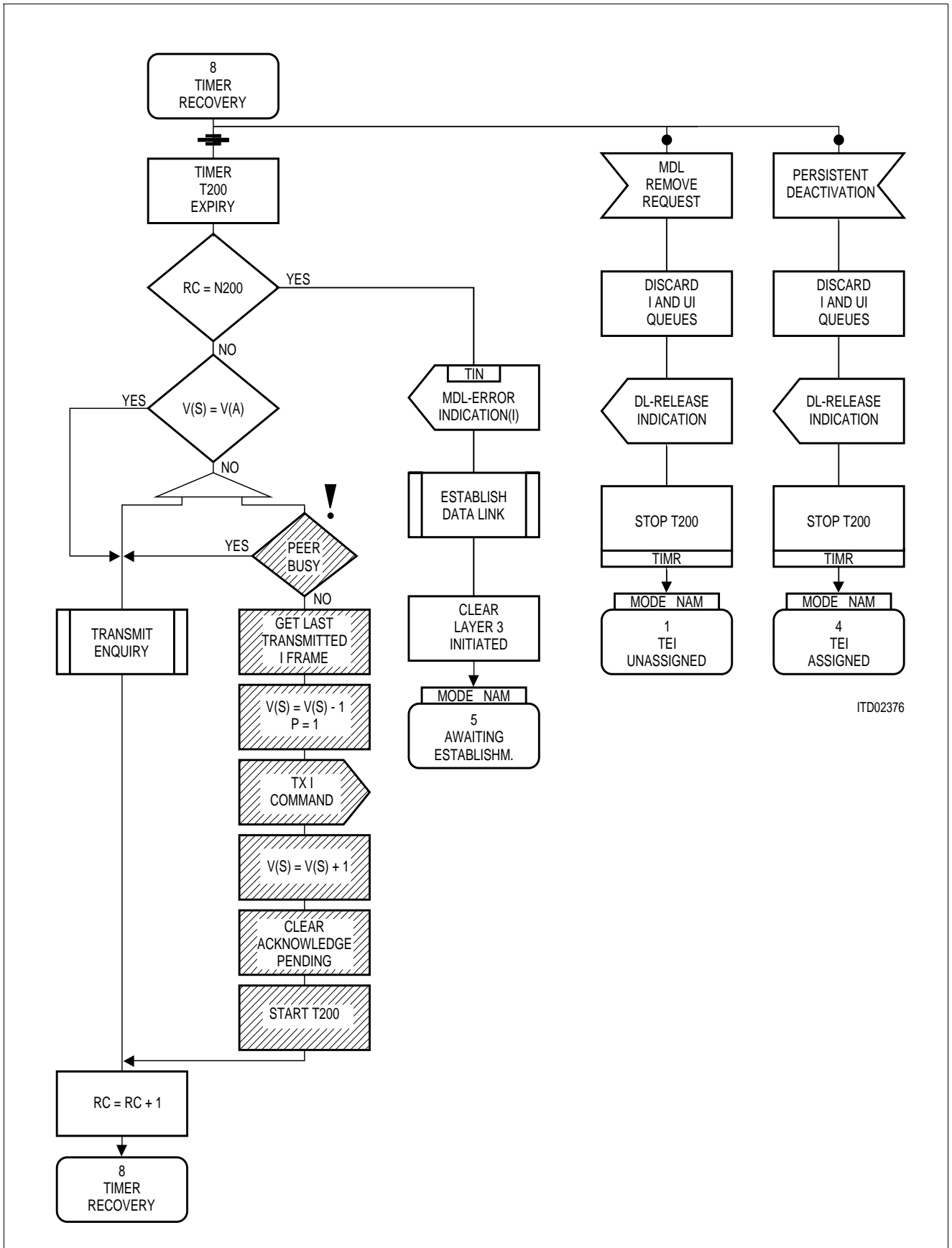
ITD02374

Figure 24j



ITD02375

Figure 25a



ITD02376

Figure 25b

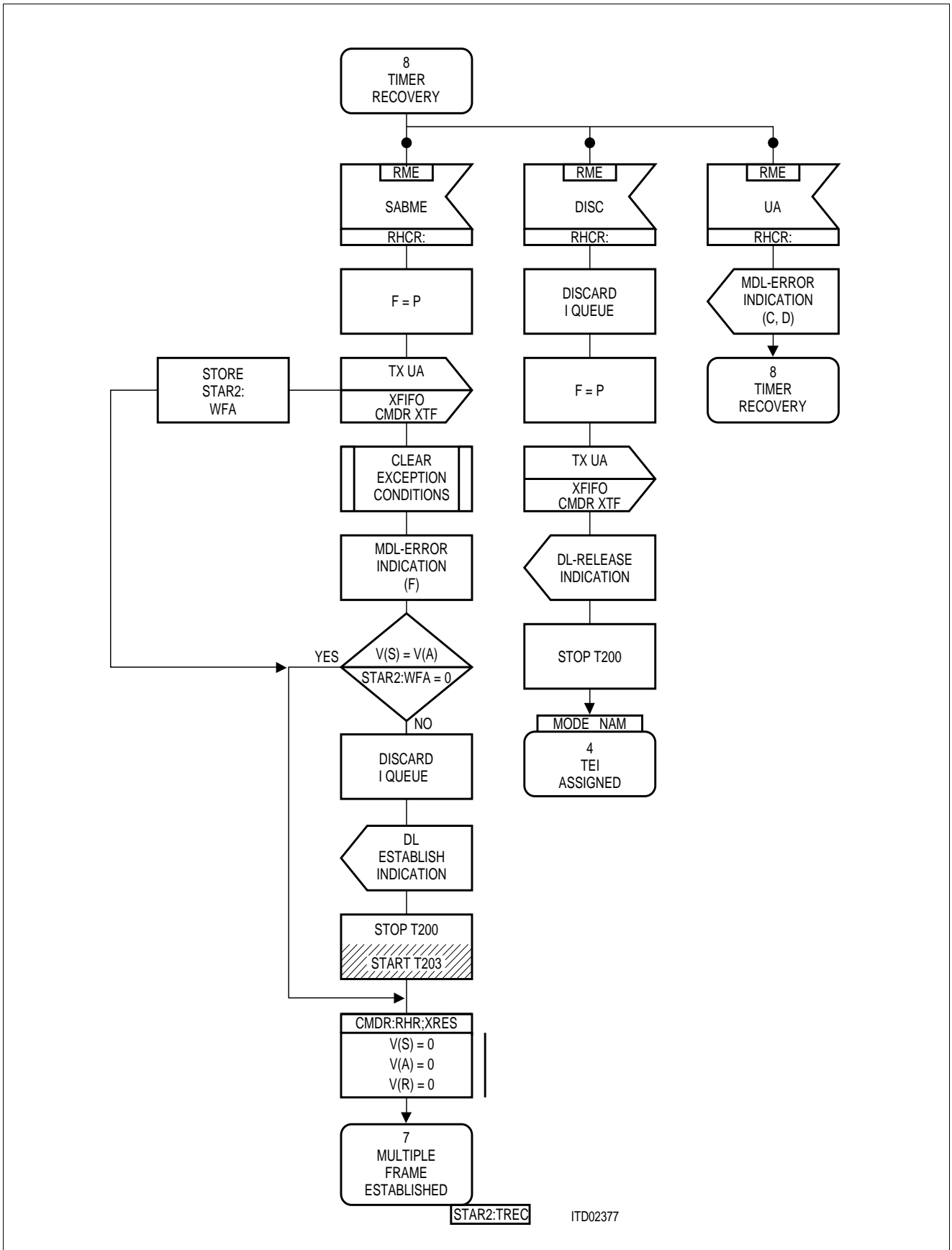


Figure 25c

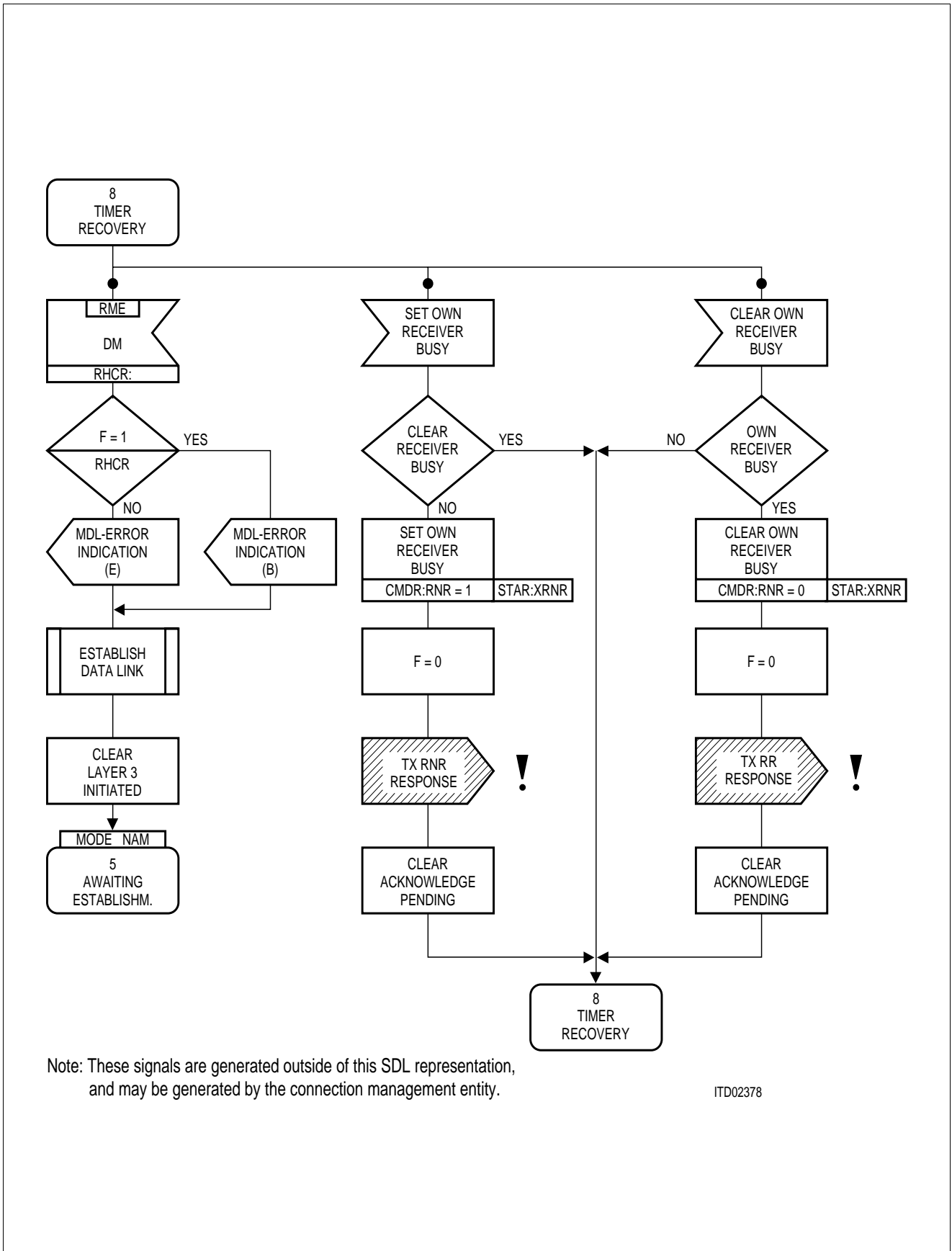
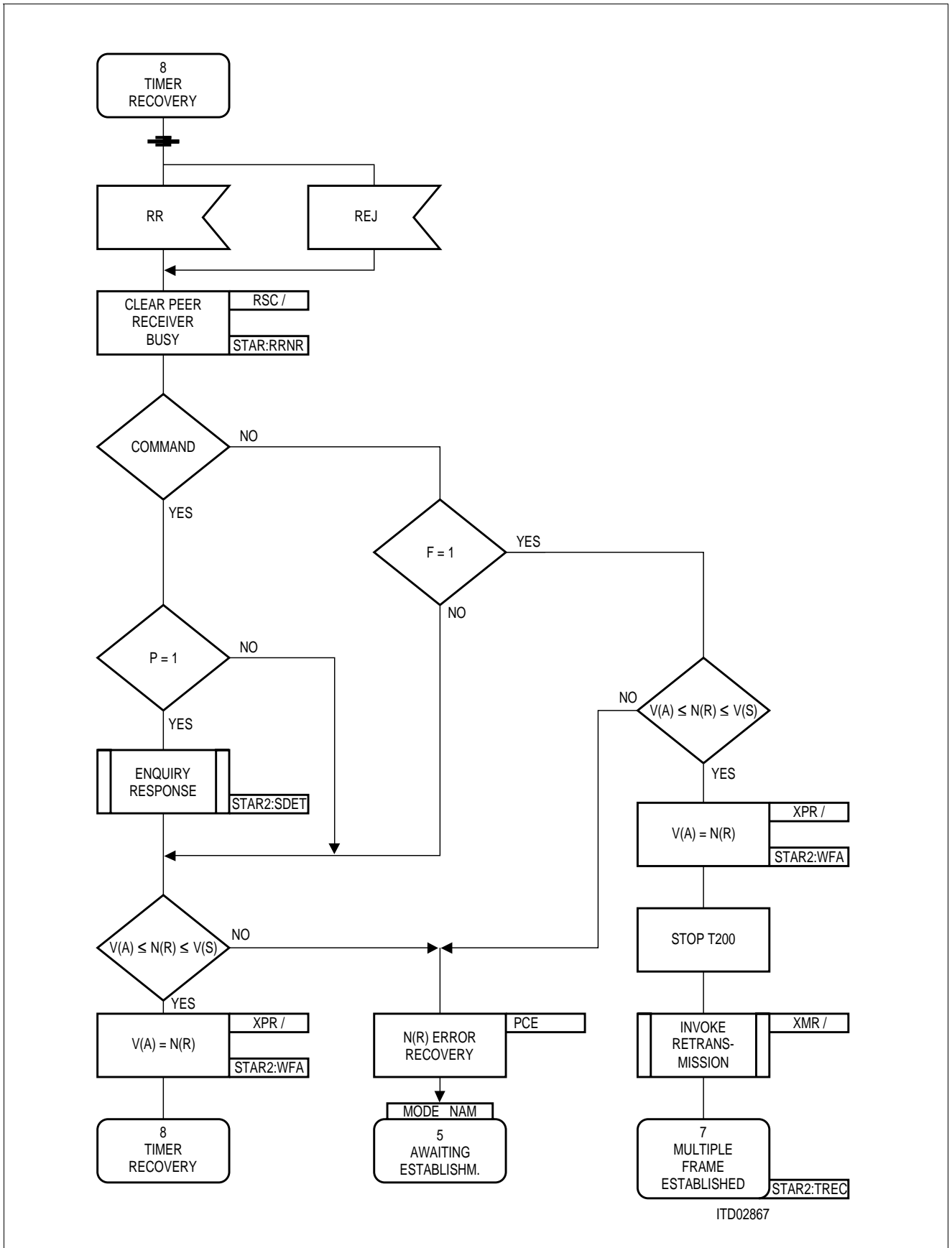
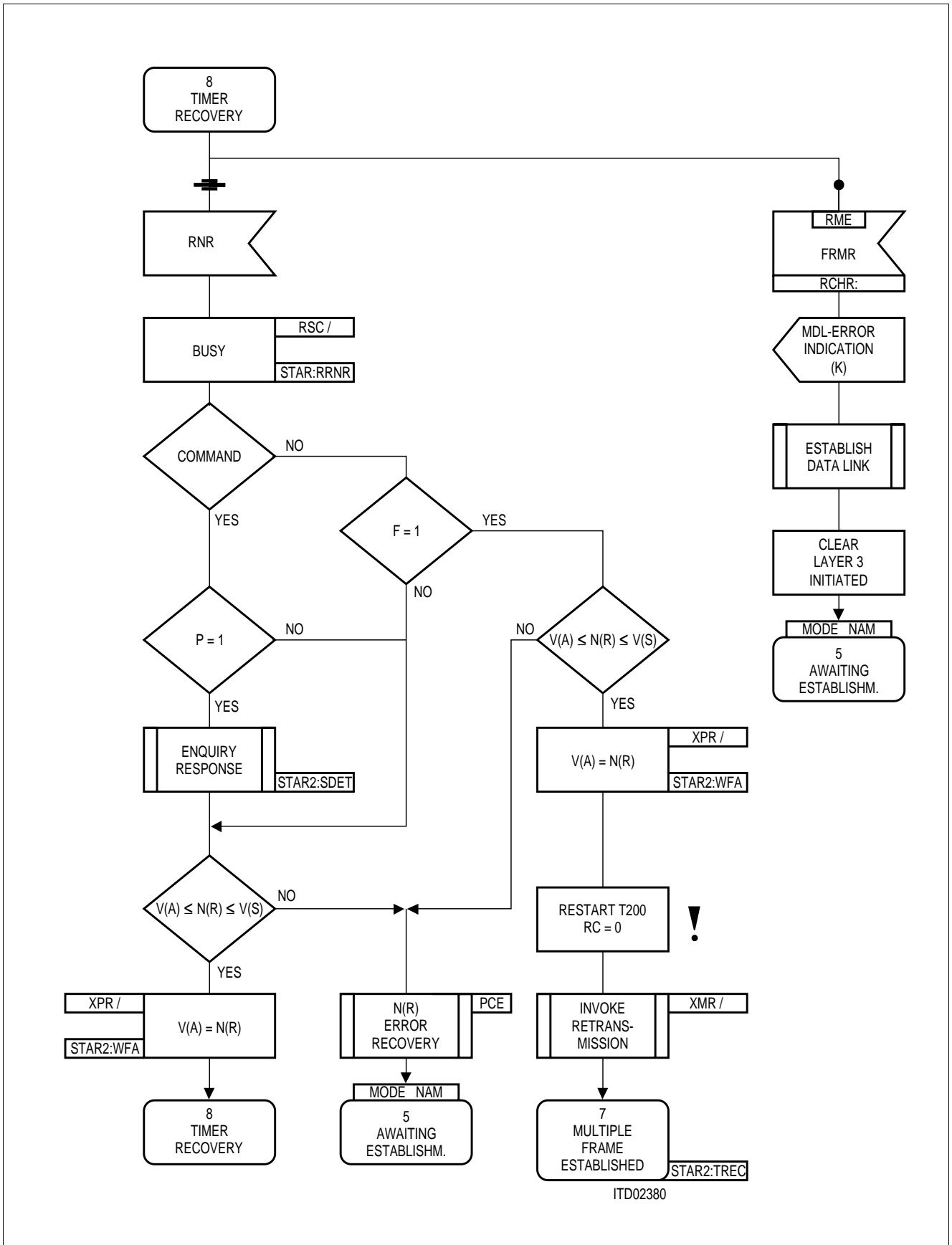


Figure 25d



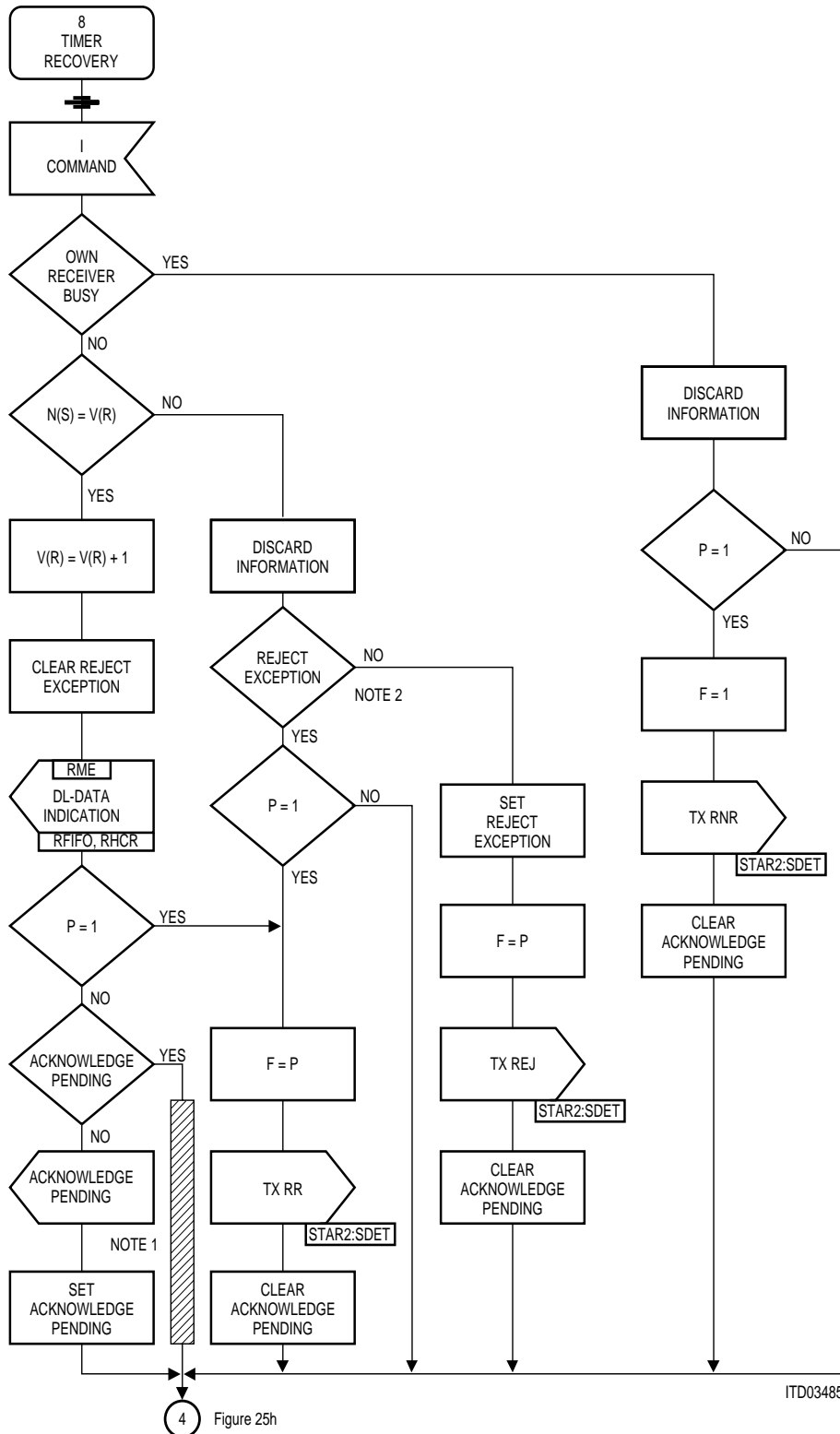
ITD02867

Figure 25e



ITD02380

Figure 25f



Note 1: Processing of acknowledge pending is described on figure 25i
 Note 2: This SDL representation does not include the optional procedure in Appendix I.

Figure 25g

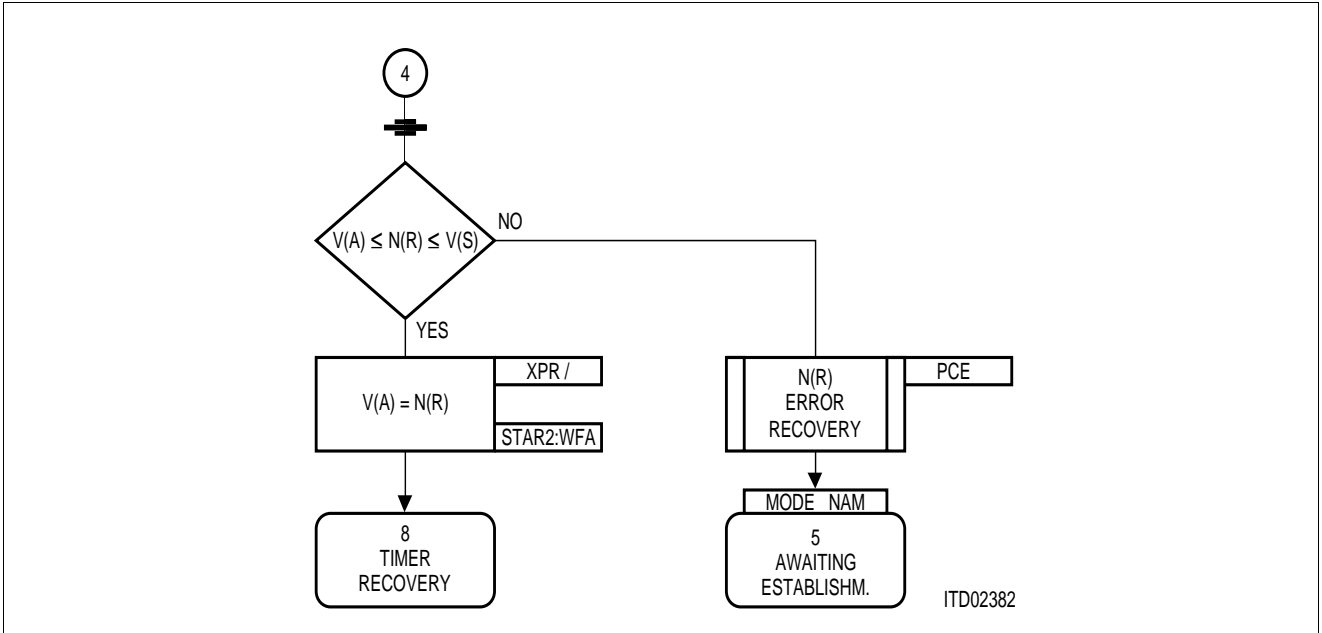


Figure 25h

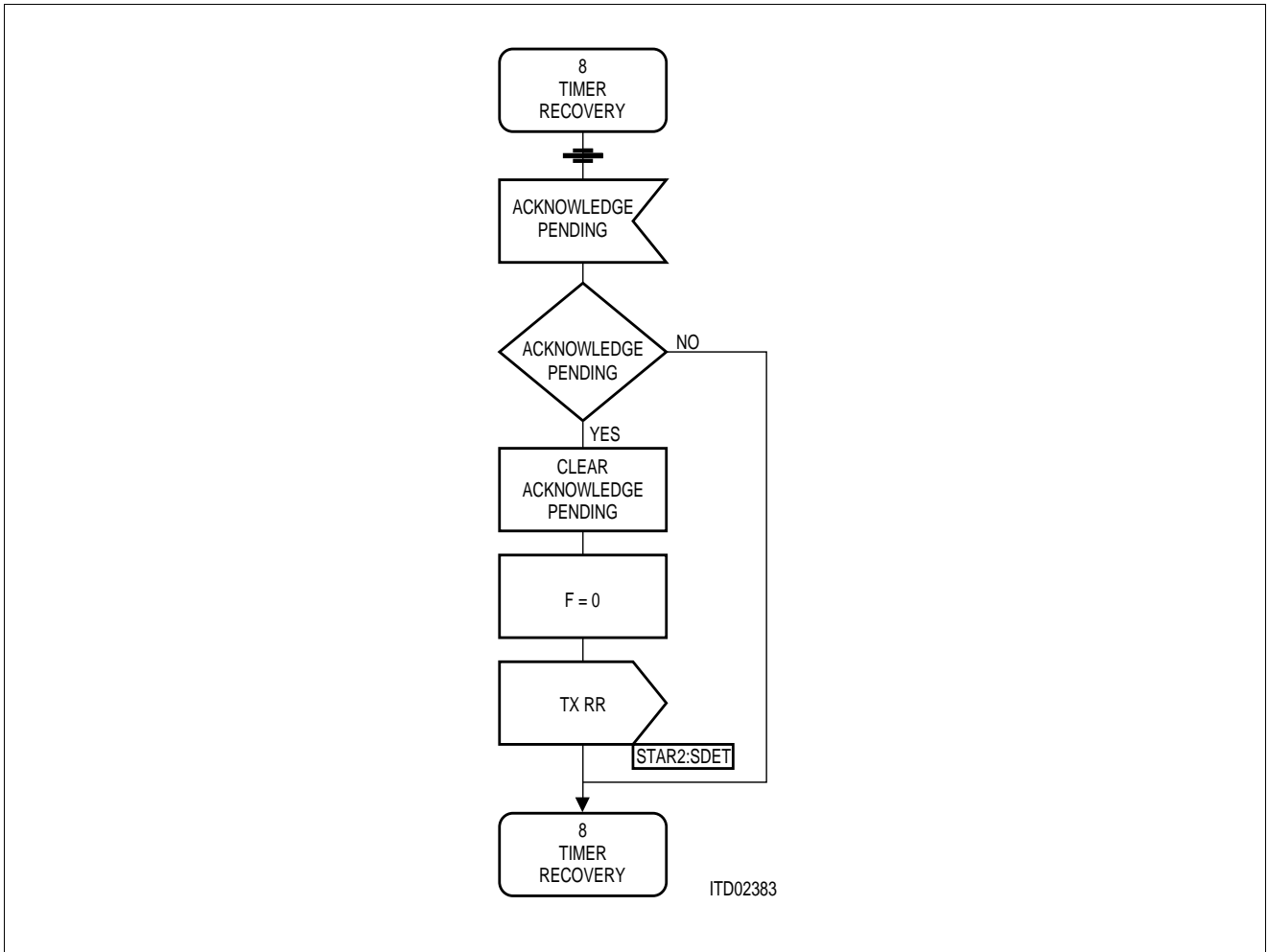
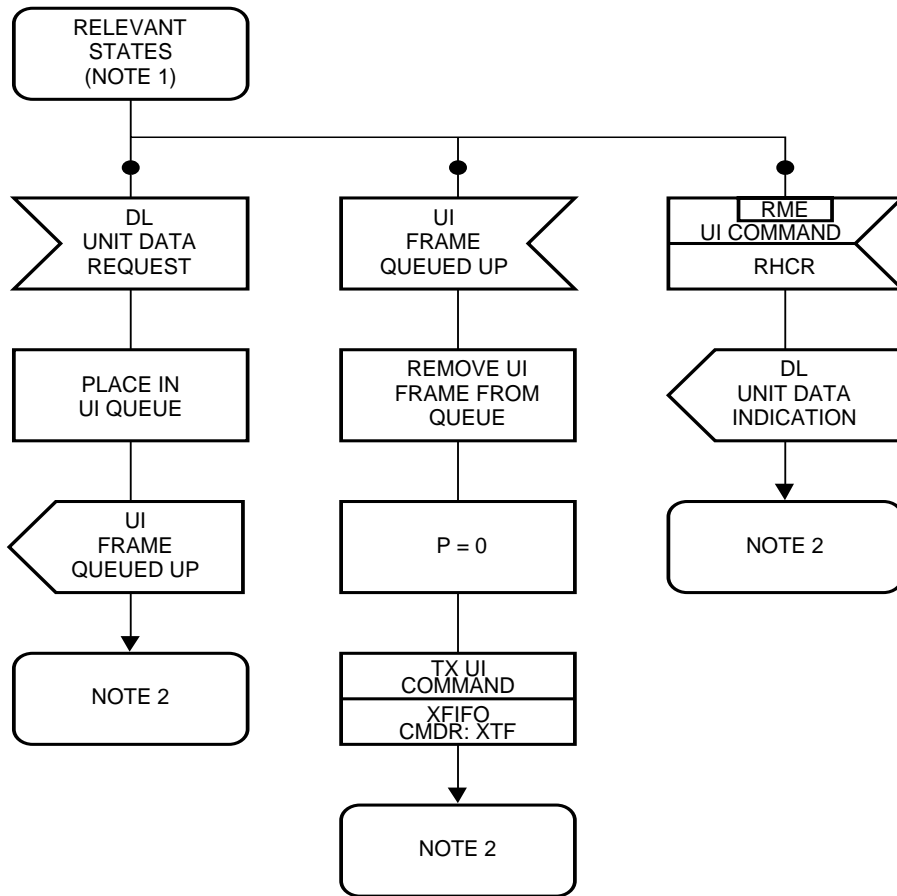


Figure 25i



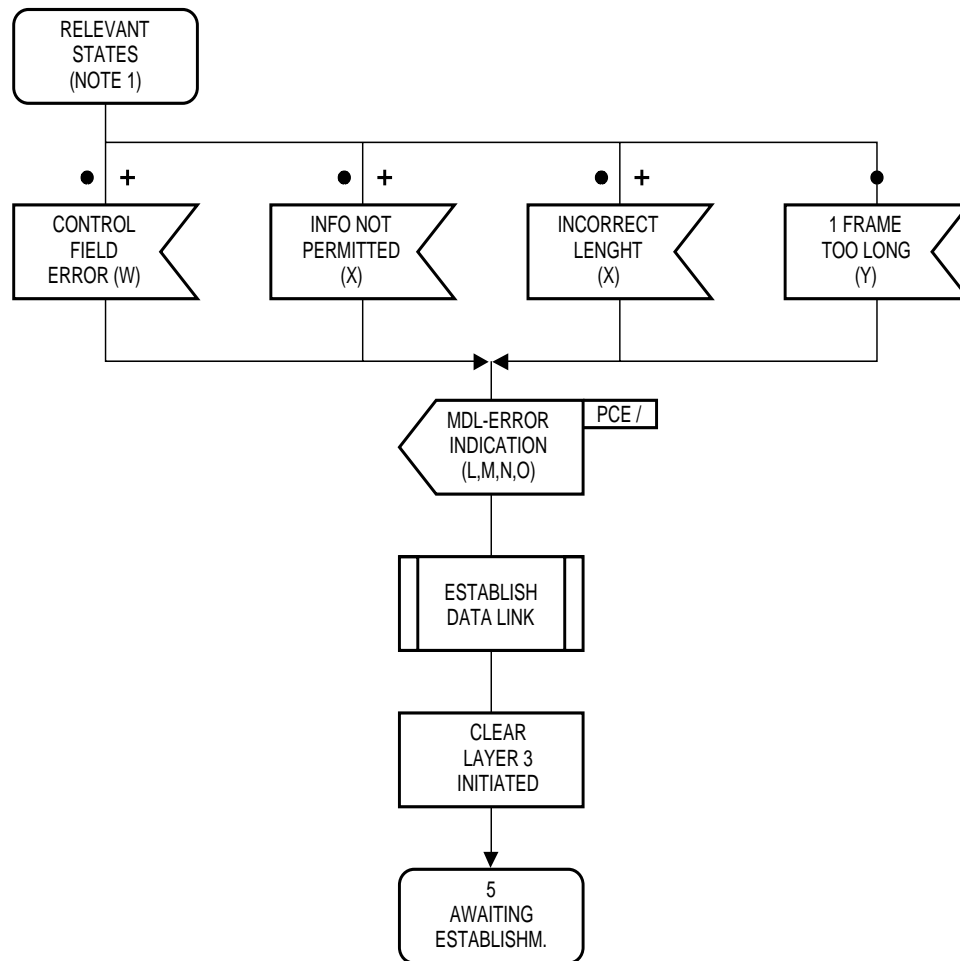
Note 1: The relevant states are as follows

- 4 TEI-assigned
- 5 Awaiting-establishment
- 6 Awaiting-release
- 7 Multiple-frame-established
- 8 Timer-recovery

Note 2: The data link layer returns to the state it was in prior to the events shown.

ITD02384

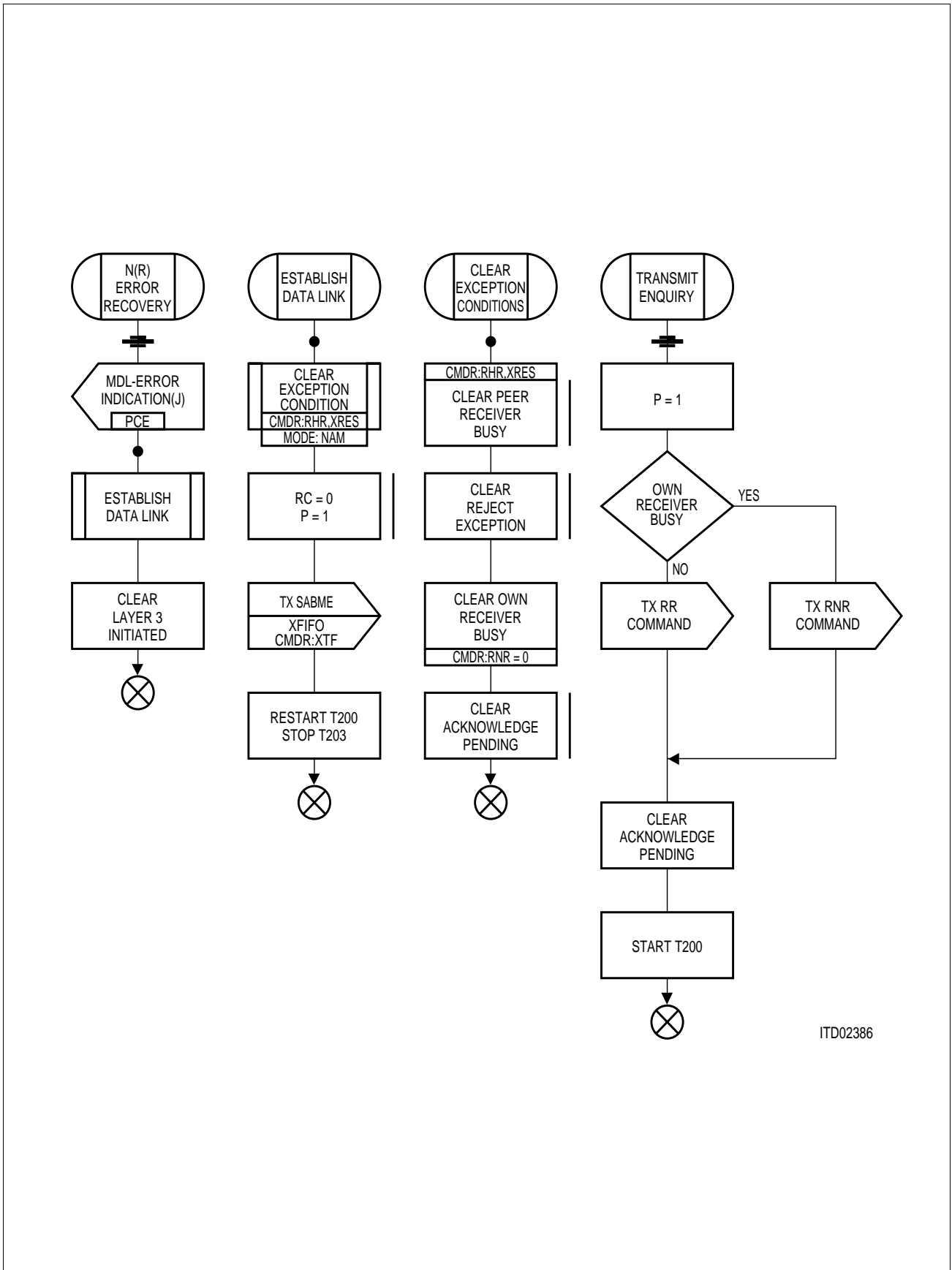
Figure 26a



Note 1: The relevant states are as follows
 7 Multiple-frame-established
 8 Timer-recovery

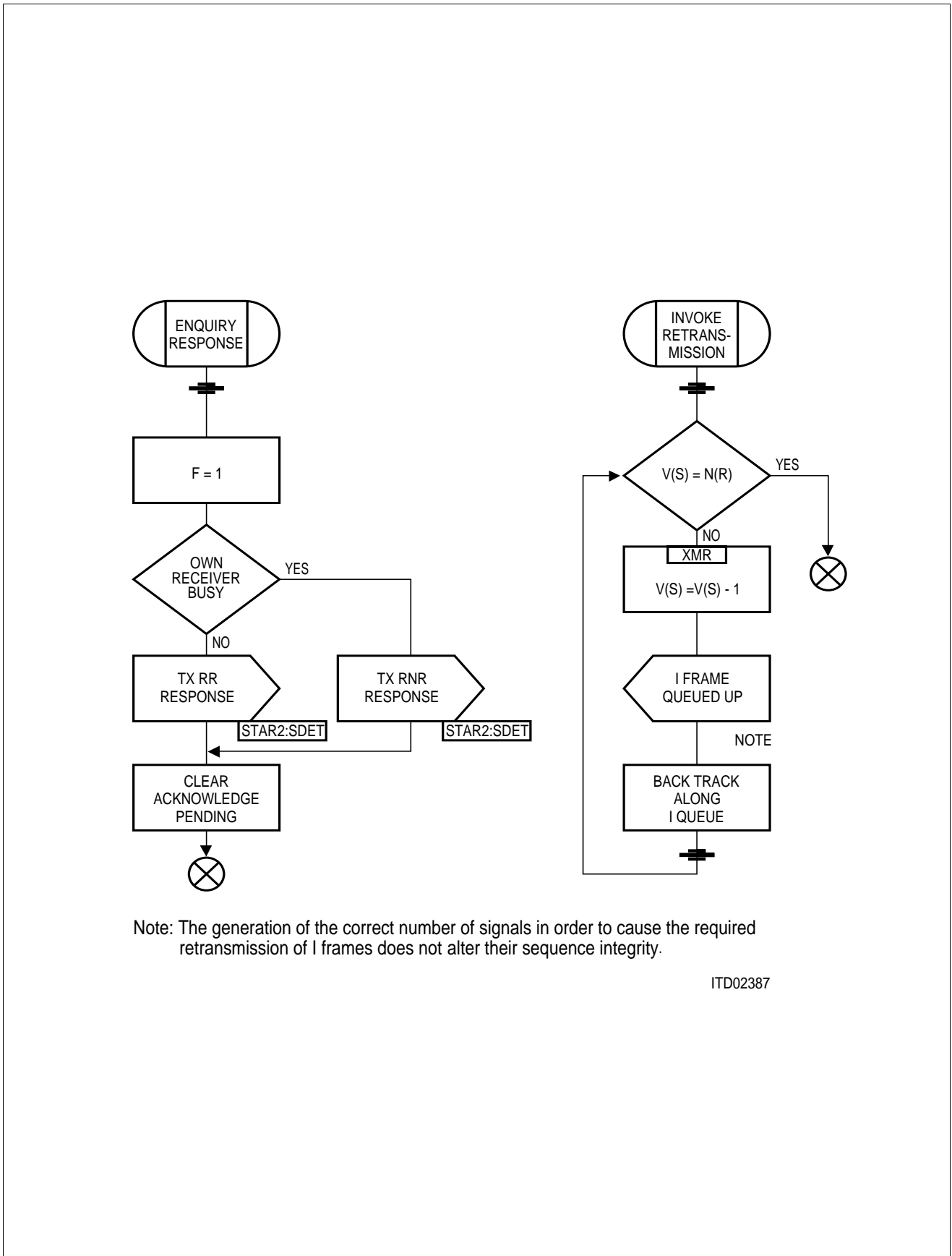
ITD02385

Figure 26b



ITD02386

Figure 26c



Note: The generation of the correct number of signals in order to cause the required retransmission of I frames does not alter their sequence integrity.

ITD02387

Figure 26d

3 Operational Description

3.1 Microprocessor Interface Operation

The ICC microcontroller interface can be selected to be either of the

- (1) – Motorola type with control signals $\overline{\text{CS}}$, $\overline{\text{R/W}}$, $\overline{\text{DS}}$ ¹⁾
- (2) – Siemens/Intel **non-multiplexed** bus type with control signals $\overline{\text{CS}}$, $\overline{\text{WR}}$, $\overline{\text{DS}}$ ¹⁾
- (3) – or of the Siemens/Intel **multiplexed** address/data bus type with control signals $\overline{\text{CS}}$, $\overline{\text{WR}}$, $\overline{\text{RD}}$, $\overline{\text{ALE}}$

The selection is performed via pin ALE as follows:

ALE tied to V_{DD} → (1)

ALE tied to V_{SS} → (2)

Edge on ALE → (3).

The occurrence of an edge on ALE, either positive or negative, at any time during the operation immediately selects interface type (3). A return to one of the other interface types is possible only if a hardware reset is issued.

3.2 Reset

After a hardware reset (pin RES), the ICC is in an idle state, and its registers are loaded with specified values. A subset of ICC registers with defined reset values is listed in **table 9**.

During the reset pulse pins SDAX/SDS1 and SCA/FSD/SDS2 are “low”, all other pins are in high impedance state.

1) Note: These μ p-interface-modes only make sense for a 28 pin package, as the address pins are needed. The multifunctional pins SDAR and SIP are automatically interpreted as A2 and A5 resp. and should therefore not be used for SSI or SLD interface or terminal specific functions.

Table 9
State of ICC Registers after Hardware Reset

Register	Value after Reset (hex)	Meaning
ISTA	00	no interrupts
MASK	00	all interrupts enabled
EXIR	00	no interrupts
STAR	48 (4A)	- XFIFO is ready to be written to - RFIFO is ready to receive at least 16 octets of a new message
CMDR	00	no command
MODE	00	- auto mode - 1-octet address field - external timer mode - receiver inactive - IOM-1 interface, MONITOR channel used for TIC bus access only
RBCL RBCH	00 XXX000002	- no frame bytes received
SPCR	00	- IDP1 pin = "High" - SIP pin "High impedance" - Timing mode 0 - IOM interface test loop deactivated - SLD B channel loop selected - SDAX/SDS1, SCA/FSD/SDS2 pins = "Low"
CIRR/CIR0	7C	- another device occupies the D and C/I channels - received C/I code = "1111" - no C/I code change
CIXR/CIX0	BF	- TIC bus is not requested for transmitting a C/I code - transmitted C/I code = "1111" - T, E = logical "1"
STCR	00	- terminal specific functions disabled - TIC bus address = "0000" - no synchronous transfer
ADF1	00	- inter-frame time fill = continuous "1"
ADF2	00	- IOM-1 interface mode selected - SDS1/2 low

3.3 Initialization

During initialization a subset of registers have to be programmed to set the configuration parameters according to the application and desired features. They are listed in **table 10**.

In **table 10** the ISDN applications are denoted using the following abbreviations:

- TE Terminal Equipment TE1, TA
 e.g. ISDN feature telephone
 ISDN voice/data workstation
 Terminal Adaptor for non-ISDN terminals (TE2)
- LT Line Termination
- NT Intelligent Network Termination

Table 10
Configuration Parameters for Initialization

Register	Bit	Effect	Application	Restricted to
ADF 2	IMS	Program IOM-1 or IOM-2 interface mode		
	D2C2-0	Polarity of SDS2/1 (and/or		IOM-2
	D1C2-0 ODS	selection of HDLC channel) IOM output driver tri-state/open drain		IOM-2
SPCR (note)	SPU	Pull IDP1 low (to request clocking from layer-1 device).	TE	IOM
	SAC	SLD port inactive/active		IOM-1
	SPM	0 Timing mode 0	TE/NT LT only	IOM-1
		1 Timing mode 1		
	TLP	0 Terminal timing mode	TE LT	IOM-2
		1 Non-terminal timing mode		
C2C1-0 C1C1-0	B-channel switching or B/IC channel connect		IOM-1 IOM-2	

Configuration Parameters for Initialization (cont'd)

Register	Bit	Effect	Application	Restricted to
MODE	DIM2-0	IOM interface configuration for D + C/I channel arbitration Stop/Go bit monitoring for HDLC transmission yes/no HDLC interface characteristics	Serial HDLC communication	IOM
				IOM
				HDLC
ADF1	IDC	IOM Data Port IDP1,0 direction control		IOM-2
	CSEL2-0	IOM channel select (Time slot)	non-TE	IOM-2
CIXR/CIX0	RSS	Hardware reset generated by either subscriber/exchange awake or watchdog timer	TE specific functions (TSF = 1)	IOM
STCR	TSF	Terminal specific function enable/SLD interface enable		IOM
	TBA2-0	TIC bus address	Bus configuration for D+C/I (TIC)	IOM
MODE	MDS2-0	HDLC message transfer mode 2 octet/(1 octet) address		
	TMD	Timer mode external/internal	Auto mode only	
TIMR	CNT VALUE	N1 and T1 in internal timer mode (TMD = 1) T2 in external timer mode		
XAD1 XAD2		SAPI, TEI Transmit frame address	Auto mode only	
SAPI1/2 TEI1/2		Receive SAPI, TEI address values for internal address recognition		

Note: After a hardware reset the pins SDAX/SDS1 and SCA/FSD/SDS2 are both “low” and have the functions of SDS1 and SDS2 in terminal timing mode (since SPM = 0), respectively, until the SPCR is written to for the first time. From that moment on, the function taken on by these pins depends on the state of IOM Mode Select bit IMS (ADF2 register).

3.4 IOM[®] Interface Connections

IOM[®]-1

In IOM-1 interface mode

- pin IDP0 carries B channel, MONITOR, D and C/I data from layer 1 to layer 2
- pin IDP1 carries B channel, MONITOR, D and C/I data from layer 2 to layer 1.

IDP1 is an open drain output. The B channels can be set inactive (FF_H) by setting the B channel connect bits C1C1-0 and C2C1-0 in SPCR register to 0 (SLD loop), which is the state after a hardware reset.

The MONITOR channel is inactive (FF_H) if:

- no MONITOR channel transfer is programmed
- and the TIC bus (i.e. the fourth octet of IOM frame: D and C/I channels) is not accessed.

IOM[®]-2

Because of the enhanced communication capabilities offered by the IOM-2, e.g. for the control of peripheral devices via the MONITOR channel, the direction of IDP0 and IDP1 is programmable.

The type of the IOM output is selectable via bit ODS (ADF2) register. Thus, the driver is of the open drain type if ODS = 0, and of the push-pull type when ODS = 1.

Non-Terminal Mode (SPM = 1)

Outside the programmed 4-byte subscriber channel (bits CSEL2-0, ADF1 register), both IDP1 and IDP0 are inactive.

Inside the programmed 4-byte subscriber channel:

- IDP1 carries the 2B+D channels as output toward the subscriber and the MONITOR and C/I channel as output to the layer 1
- IDP1 is inactive during B1 and B2
- IDP0 carries the 2B + D channels coming from the subscriber line, and the MONITOR and C/I channels from layer 1.

If IDC (IOM Direction Control, ADF1 register) is set to "1", IDP0 sends the MONITOR, D and C/I channels normally carried by IDP1, i.e. normally destined to the subscriber. This feature can be used for test purposes, e.g. to send the D channel towards the system instead of the subscriber. **See figure 27.**

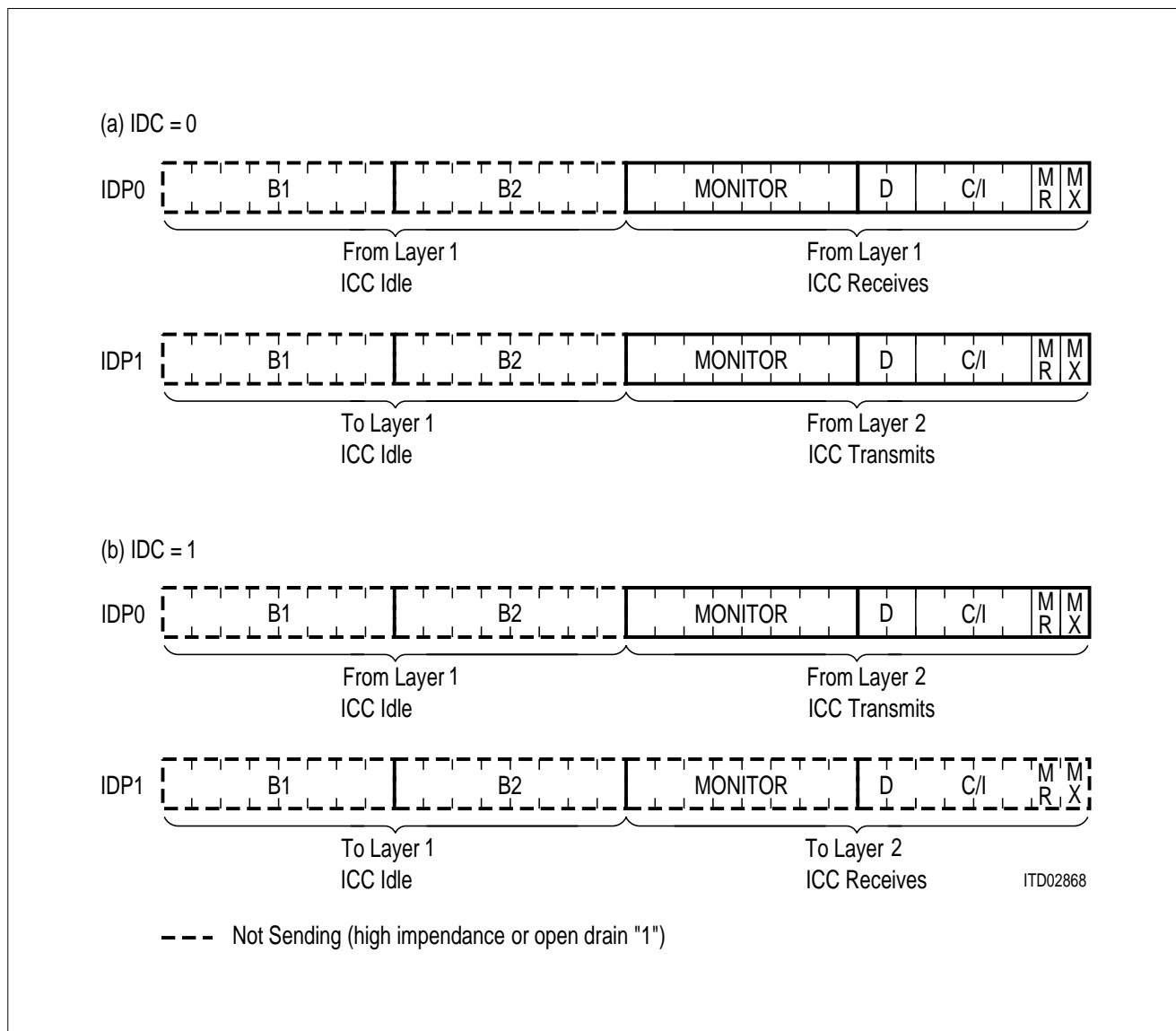


Figure 27
IOM® Data Ports 0, 1 in Non-Terminal Mode (SPM = 1)

Terminal Mode (SPM = 0)

In this case the IOM has the 12-byte frame structure consisting of channels 0, 1, and 2 (see figure 11):

- IDP0 carries the 2B + D channels from the subscriber line, and the MONITOR 0 and C/I 0 channels coming from layer 1;
- IDP1 carries the MONITOR 0 and C/I 0 channels to the layer 1.

Channel 1 of the IOM interface is used for internal communication in terminal applications. Two cases have to be distinguished, according to whether the ICC is operated as a master device (communication with slave devices via MONITOR 1 and C/I 1), or as a slave device (communication with one master via MONITOR 1 and C/I 1).

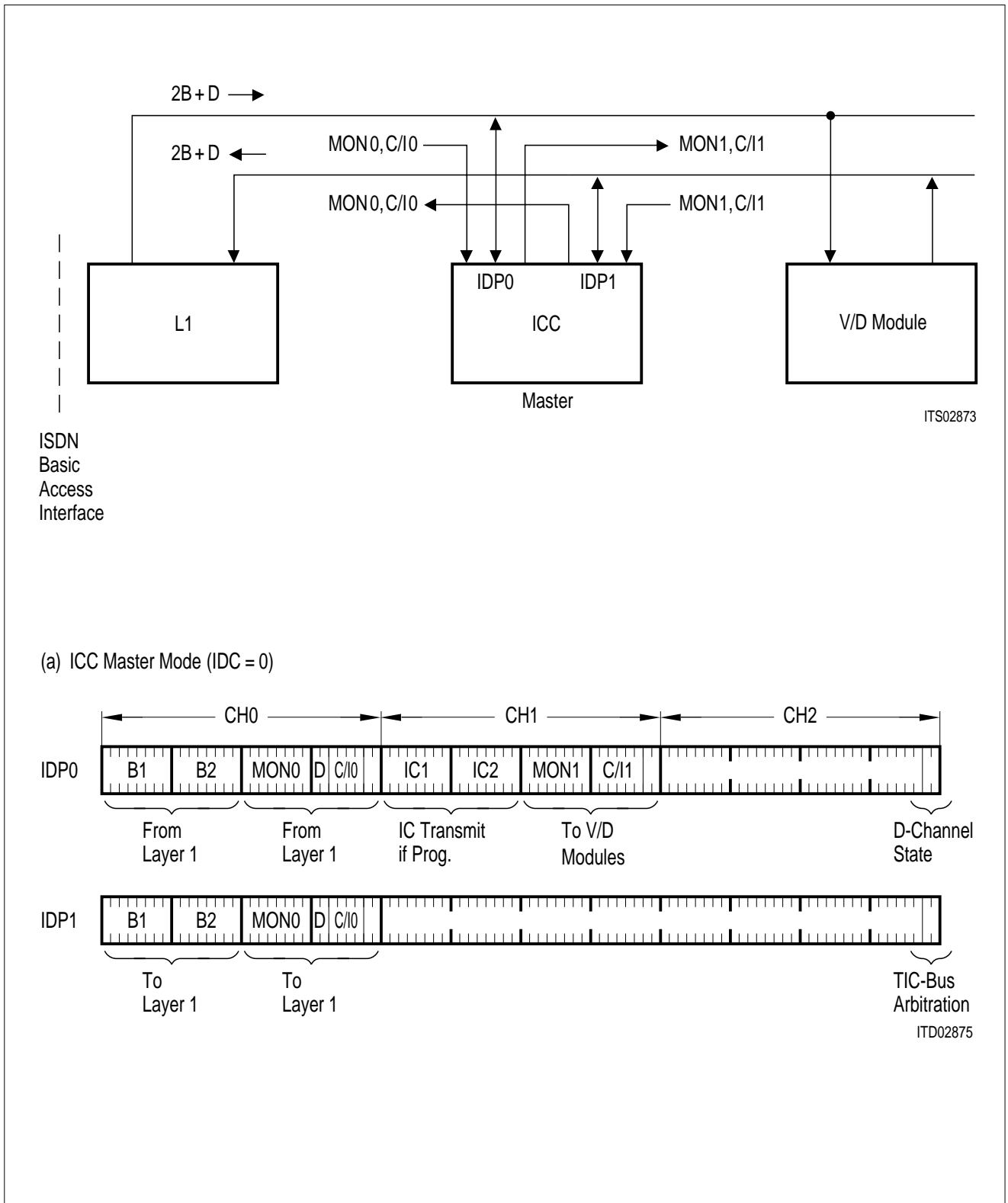


Figure 28a
IOM[®] Data Ports 0, 1 in Terminal Mode (SPM = 0)

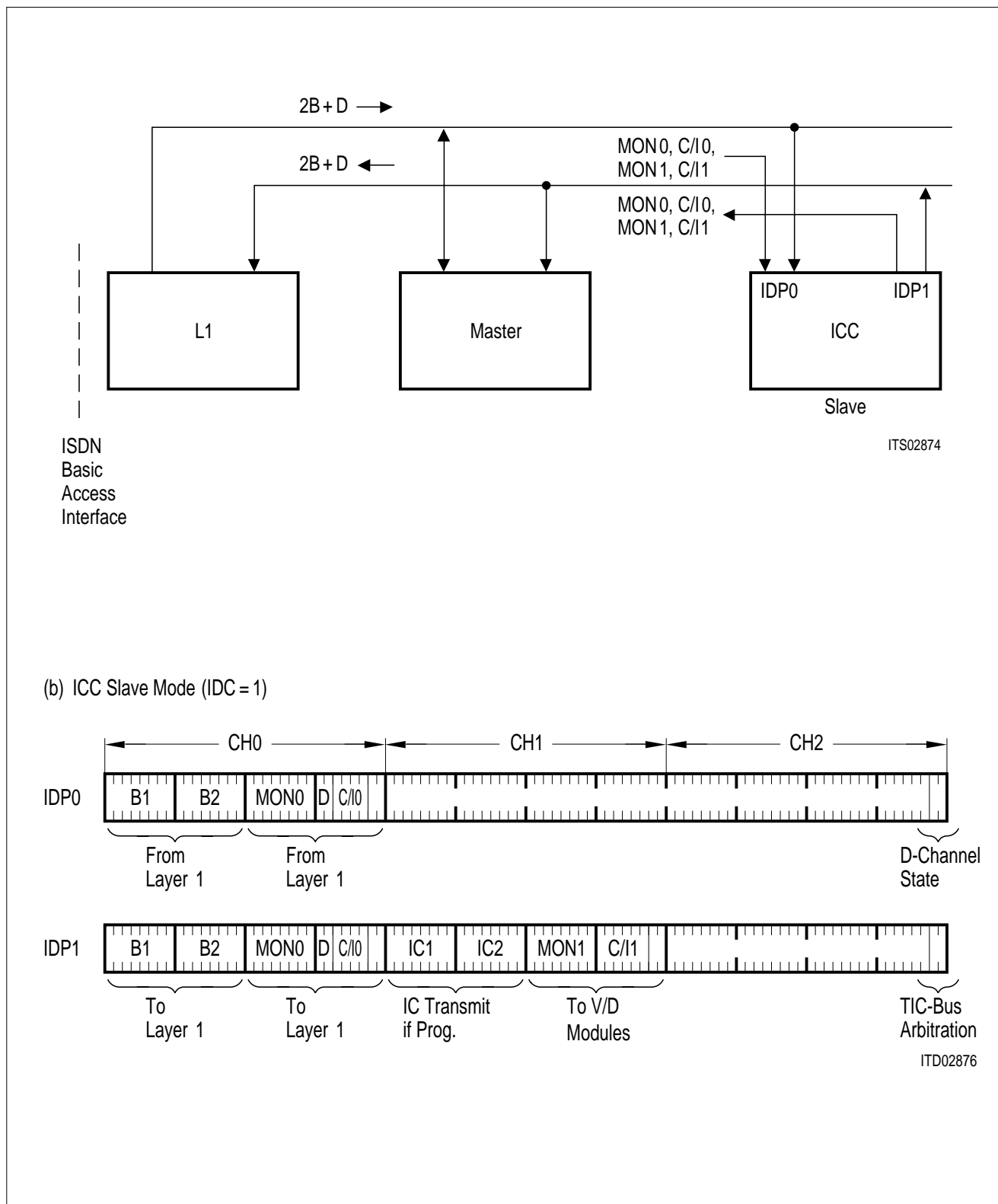


Figure 28b
IOM[®] Data Ports 0, 1 in Terminal Mode (SPM = 0)

If IDC is set to “0” (Master Mode):

- IDP0 carries the MONITOR 1 and C/I 1 channels as output to peripheral (voice/data) devices;
- IPD0 carries the IC channels as output to other devices, if programmed (CxC1-0 = 01 in register SPCR).

If IDC is set to “1” (Slave mode):

- IDP1 carries the MONITOR 1 and C/I 1 channels as output to a master device;
- IPD0 carries the IC channels as output to other devices, if programmed (CxC1-0 = 01 in register SPCR).

If required (cf. DIM2-0, MODE register), bit 5 of the last byte in channel 2 on IDP0 is used to indicate the D-channel state (Stop/Go bit) on and bits 2 to 5 of the last byte are used for TIC bus access arbitration.

Figure 28 shows the connections in a multifunctional terminal with the ICC as a master (**figure 28a**) or a slave device (**figure 28b**).

3.5 Processing

3.5.1 Interrupt Structure

Since the ICC provides only one interrupt request output (\overline{INT}), the cause of an interrupt is determined by the microprocessor by reading the Interrupt Status Register ISTA. In this register, seven interrupt sources can be directly read. The LSB of ISTA points to eight non-critical interrupt sources which are indicated in the Extended Interrupt Register EXIR (figure 29).

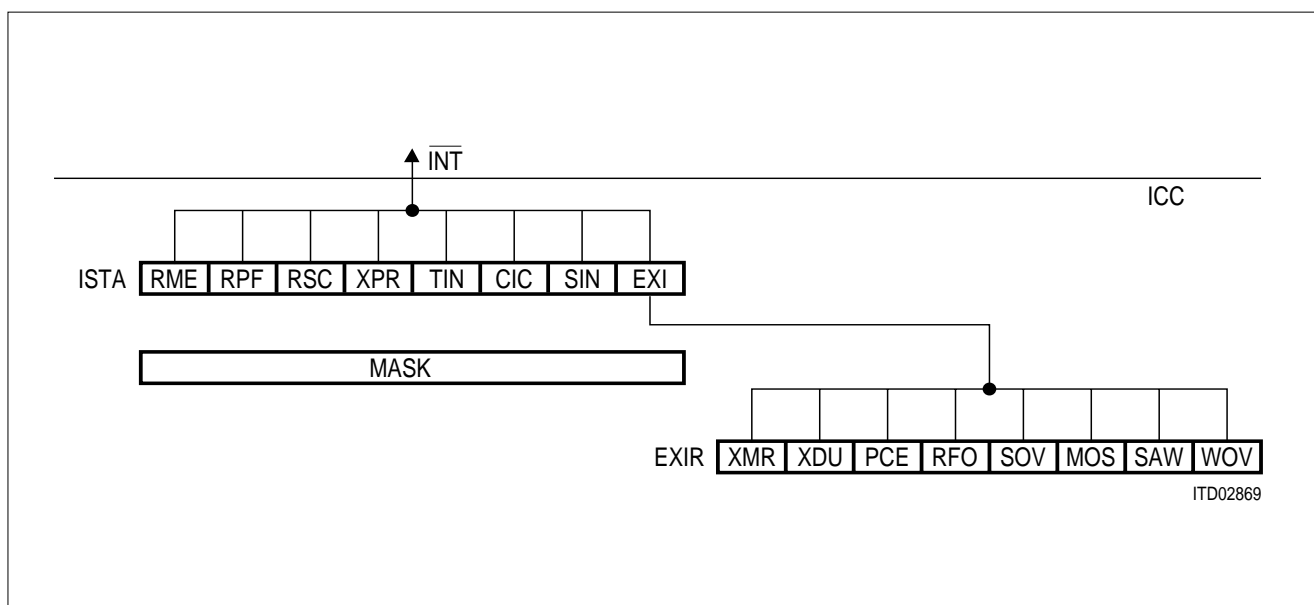


Figure 29
ICC Interrupt Structure

A read of the ISTA register clears all bits except EXI and CIC. CIC is cleared by reading CIRR/ CIR0. A read of EXIR clears the EXI bit in ISTA as well as the EXIR register.

When all bits in ISTA are cleared, the interrupt line (\overline{INT}) is deactivated.

Each interrupt source in ISTA register can be selectively masked by setting to “1” the corresponding bit in MASK. Masked interrupt status bits are not indicated when ISTA is read. Instead, they remain internally stored and pending, until the mask bit is reset to zero. Reading the ISTA while a mask bit is active has no effect on the pending interrupt.

In the event of an extended interrupt EXIR, EXI is set even when the corresponding mask bit in MASK is active, but no interrupt (\overline{INT}) is generated. In the event of a C/I channel interrupt CIC is set, even when the corresponding mask bit in MASK is active, but no interrupt (\overline{INT}) is generated.

Except for CIC and MOS all interrupt sources are directly determined by a read of ISTA and (possibly) EXIR.

Figure 30 shows the CIC and MOS interrupt logic.

CIC Interrupt Logic

A CIC interrupt may originate

- from a change in received C/I channel (0) code (CIC0)
or (in the case of IOM-2 terminal mode only)
- from a change in received C/I channel 1 code (CIC 1).

The two corresponding status bits CIC0 and CIC1 are read in CIR0 register. CIC1 can be individually disabled by clearing the enable bit CI1E (ADF1 register). In this case the occurrence of a code change in CIR1 will not be displayed by CIC1 until the corresponding enable bit has been set to one.

Bits CIC0 and CIC1 are cleared by a read of CIR0.

An interrupt status is indicated every time a valid new code is loaded in CIR0 or CIR1. But in the case of a code change, the new code is not loaded until the previous contents have been read. When this is done and a second code change has already occurred, a new interrupt is immediately generated and the new code replaces the previous one in the register. The code registers are buffered with a FIFO size of two. Thus, if several consecutive codes are detected, only the first and the last code is obtained at the first and second register read, respectively.

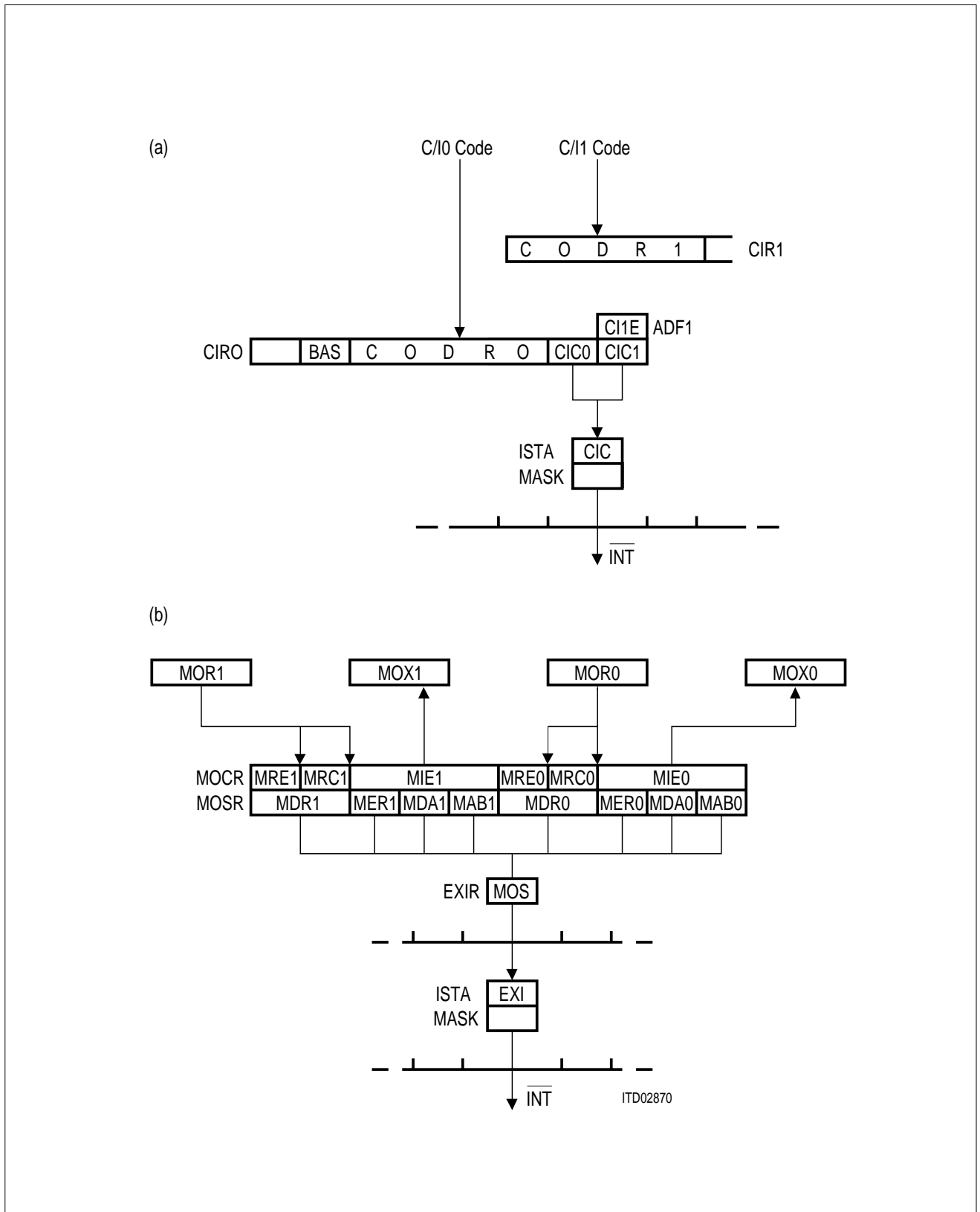


Figure 30
a) CIC Interrupt Structure
b) MOS Interrupt Structure (IOM[®]-2 Mode)

MOS Interrupt Logic

The MOS interrupt logic shown in **figure 30** is valid only in the case of IOM-2 interface mode. Further, only one MONITOR channel is handled in the case of IOM-2 non-terminal timing modes. In this case, MOR1 and MOX1 are unused.

The MONITOR Data Receive interrupt status MDR has two enable bits, MONITOR Receive interrupt Enable (MRE) and MR bit Control (MRC). The MONITOR channel End of Reception MER, MONITOR channel Data Acknowledged MDA and MONITOR channel Data Abort MAB interrupt status bits have a common enable bit MONITOR Interrupt Enable MIE.

MRE prevents the occurrence of MDR status, including when the first byte of a packet is received. When MRE is active (1) but MRC is inactive, the MDR interrupt status is generated only for the first byte of a receive packet. When both MRE and MRC are active, MDR is always generated and all received MONITOR bytes - marked by a 1-to-0 transition in MX bit - are stored. (Additionally, an active MRC enables the control of the MR handshake bit according to the MONITOR channel protocol.)

In IOM-1 mode the reception of a MONITOR byte is directly indicated by MOS interrupt status, and registers MOCR and MOSR are not used.

3.5.2 Data Transfer

The control of the data transfer phase is mainly done by commands from the μ P to ICC via the Command Register (CMDR).

Table 11 gives a summary of possible interrupts from the HDLC controller and the appropriate reaction to these interrupts.

Table 12 lists the most important commands which are issued by a microprocessor by setting one or more bits in CMDR.

The powerful FIFO logic, which consists of a 2 x 32 byte receive and a 2 x 32 byte transmit FIFO, as well as an intelligent FIFO controller, builds a flexible interface to the upper protocol layers implemented in the microcontroller.

The extent of LAPD protocol support is dependent on the selected message transfer mode, **see section 2.4.1**.

Table 11
Interrupts from ICC HDLC Controller

Mnemonic	Register	Meaning	Reaction
Layer-2 Receive			
RPF	ISTA	Receive Pool Full. Request to read received octets of an uncompleted HDLC frame from RFIFO.	Read 32 octets from RFIFO and acknowledge with RMC.
RME	ISTA	Receive Message End. Request to read received octets of a complete HDLC frame (or the last part of a frame) from RFIFO.	Read RFIFO (number of octets given by RBCL4-0) and status information and acknowledge with RMC.
RFO	EXIR	Receive Frame Overflow. A complete frame has been lost because storage space in RFIFO was not available.	Error report for statistical purposes. Possible cause: deficiency in software.
PCE	EXIR	Protocol Error. S or I frame with incorrect N(R) or S frame with I field received (in auto mode only).	Link re-establishment. Indication to layer 3.

Layer-2 Transmit

XPR	ISTA	Transmit Pool Ready. Further octets of an HDLC frame can be written to XFIFO. If XIFC was issued (auto mode), indicates that the message was successfully acknowledged with S frame.	Write data bytes in the XFIFO if the frame currently being transmitted is not finished or a new frame is to be transmitted, and issue an XIF, XIFC, XTF or XTFC command.
XMR	EXIR	Transmit Message Repeat. Frame must be repeated because of a transmission error (all HDLC message transfer modes) or a received negative acknowledgement (auto mode only) from peer station.	Transmission of the frame must be repeated. No indication to layer 3.
XDU	EXIR	Transmit Data Underrun. Frame has been aborted because the XFIFO holds no further data and XME (XIFC or XTFC) was not issued.	Transmission of the frame must be repeated. Possible cause: excessively long software reaction times.

Layer-2 Transmit (cont'd)

Mnemonic	Register	Meaning	Reaction
RSC	ISTA	Receive Status Change. A status change from peer station has been received (RR or RNR frame), auto mode only.	Stop sending new I frames.
TIN	ISTA	Timer Interrupt. External timer expired or, in auto mode, internal timer (T200) and repeat counter (N200) both expired.	Link re-established. Indication to layer 3. (Auto mode)

Table 12
List of Commands

Command Mnemonic	HEX	Bit 7 ... 0	Meaning
RMC	80	1000 0000	Receive Message Complete. Acknowledges a block (RPF) or a frame (RME) stored in the RFIFO).
RRES	40	0100 0000	Reset HDLC Receiver. The RFIFIO is cleared. the transmit and receive counters (V(S), V(R)) are reset (auto mode).
RNR	20	0010 0000	Receiver Not Ready (auto mode). An I or S frame will be acknowledged with RNR frame.
STI	10	0001 0000	Start Timer.
XTFC	0A	0000 1010	Transmit Transparent Frame and Close. Enables the "transparent" transmission of the block entered last in the XFIFO. The frame is closed with a CRC and a flag.
XIFC	06	0000 0110	Transmit I Frame and Close. Enables the "auto mode" transmission of the block entered last in the XFIFO. The frame is closed with a CRC and a flag.
XTF	08	0000 1000	Transmit Transparent Frame. Enables the "transparent" transmission of the block entered last in the XFIFO without closing the frame.
XIF	04	0000 0100	Transmit I Frame. Enables the "auto mode" transmission of the block entered last in the XFIFO without closing the frame.
XRES	01	0000 0001	Reset HDLC Transmitter. The XFIFO is cleared.

3.5.2.1 HDLC Frame Reception

Assuming a normally running communication link (layer 1 activated, layer 2 link established), **figure 31** illustrates the transfer of an I frame. The transmitter is shown on the left and the receiver on the right, with the interaction between the microcontroller system and the ICC in terms of interrupt and command stimuli.

When the frame (excluding the CRC field) is not longer than 32 bytes, the whole frame is transferred in one block. The reception of the frame is reported via the Receive Message End (RME) interrupt. The number of bytes stored in RFIFO can be read out from RBCL. The Receive Status Register (RSTA) includes information about the frame, such as frame aborted yes/no or CRC valid yes/no and, if complete or partial address recognition is selected, the identification of the frame address.

Depending on the HDLC message transfer mode, the address and control field of the frame can be read from auxiliary registers (SAPR and RHCR), as shown in **figure 32**.

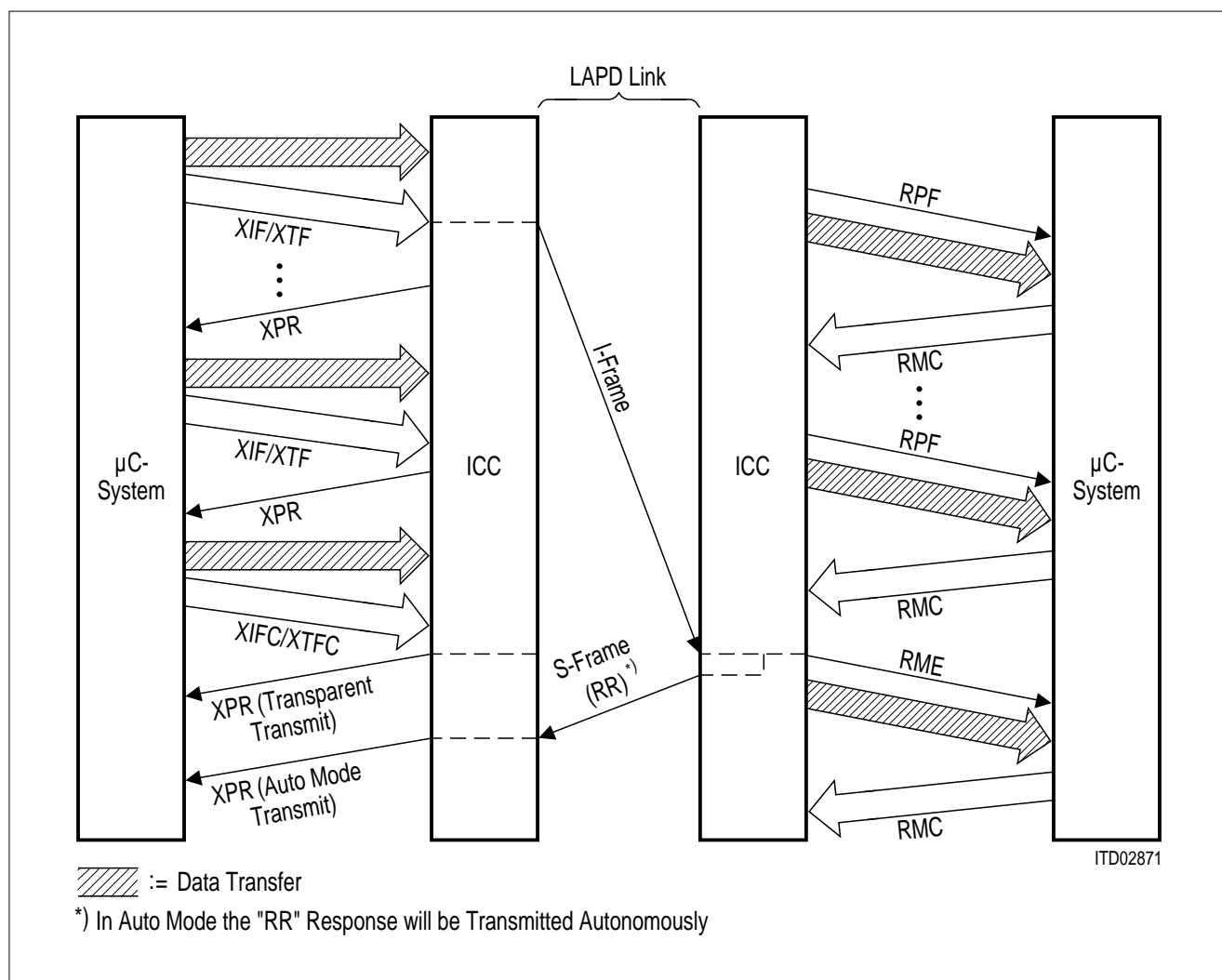


Figure 31
Transmission of an I Frame in the D Channel (Subscriber to Exchange)

Note 1 Only if a 2-byte address field is defined (MDS0 = 1 in MODE register).

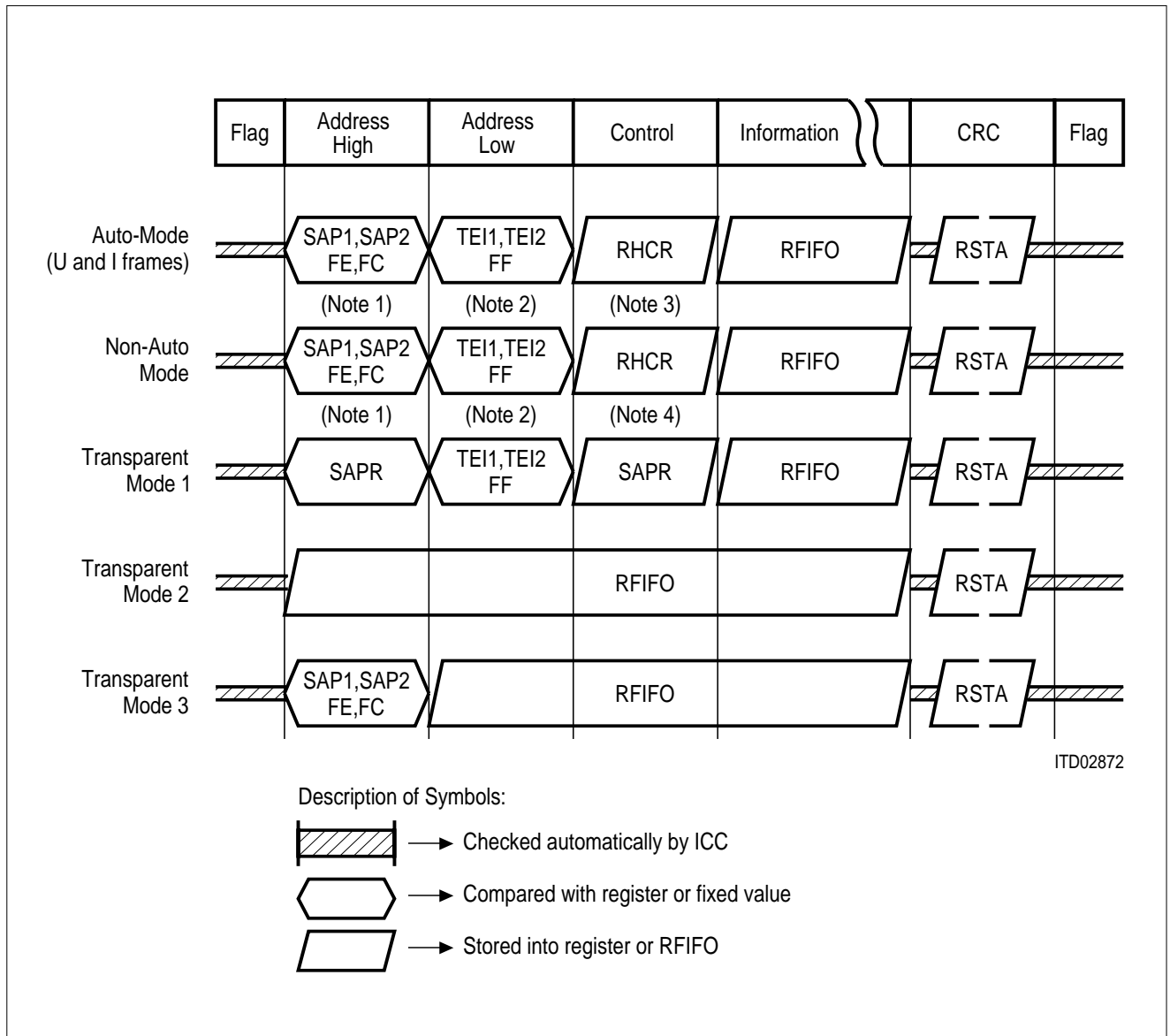


Figure 32
Receive Data Flow

Note 2 Comparison with group TEI (FF_H) is only made if a 2-byte address field is defined (MDS0 = 1 in MODE register).

Note 3 In the case of an extended, modulo 128 control field format (MCS = 1 in SAP2 register) the control field is stored in RHCR in compressed form (I frames).

Note 4 In the case of extended control field, only the first byte is stored in RHCR, the second in RFIFO.

A frame longer than 32 bytes is transferred to the microcontroller in blocks of 32 bytes plus one remainder of length 1 to 32 bytes. The reception of a 32-byte block is reported by a Receive Pool Full (RPF) interrupt and the data in RFIFO remains valid until this interrupt is acknowledged (RMC). This process is repeated until the reception of the remainder block is completed, as reported by RME (**figure 31**). If the second RFIFO pool has been filled or an end-of frame is received while a previous RPF or RME interrupt is not yet acknowledged by RMC, the corresponding interrupt will be generated only when RMC has been issued. When RME has been indicated, bits 0-4 of the RBCL register represent the number of bytes stored in the RFIFO. Bits 7 to 5 of RBCL and bits 0 to 3 of RBCH indicate the total number of 32-byte blocks which were stored until the reception of the remainder block. When the total frame length exceeds 4095 bytes, bit OV (RBCH) is set but the counter is not blocked.

The contents of RBCL, RBCH and RSTA registers are valid only after the occurrence of the RME interrupt, and remain valid until the microprocessor issues an acknowledgment (RMC). The contents of RHCR and/or SAPR, also remain valid until acknowledgment.

If a frame could not be stored due to a full RFIFO, the microcontroller is informed of this via the Receive Frame Overflow interrupt (RFO).

3.5.2 HDLC Frame Transmission

After the XFIFO status has been checked by polling the Transmit FIFO Write Enable (XFW) bit or after a Transmit Pool Ready (XPR) interrupt, up to 32 bytes may be entered in XFIFO. Transmission of an HDLC frame is started when a transmit command (**see table 12**) is issued. The opening flag is generated automatically. In the case of an auto mode transmission (XIF or XIFC), the control field is also generated by the ICC, and the contents of register XAD1 (and, for LAPD, XAD2) are transmitted as the address, as shown in **figure 33**.

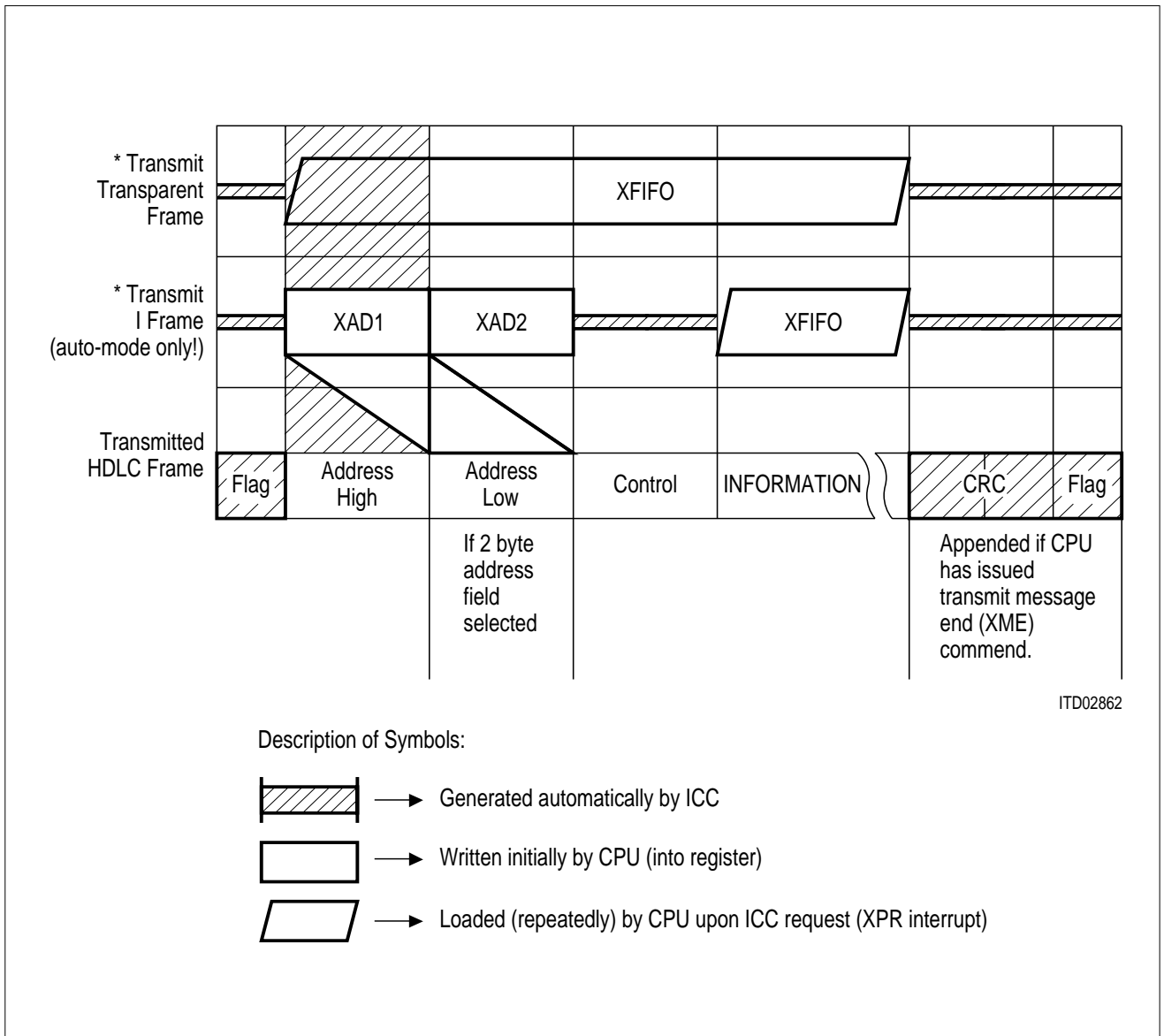


Figure 33
Transmit Data Flow

The HDLC controller will request another data block by an XPR interrupt if there are no more than 32 bytes in XFIFO and the frame close command bit (Transmit Message End XME) has not been set. To this the microcontroller responds by writing another pool of data and re-issuing a transmit command for that pool. When XME is set, all remaining bytes in XFIFO are transmitted, the CRC field and the closing flag of the HDLC frame are appended and the controller generates a new XPR interrupt.

The microcontroller does not necessarily have to transfer a frame in blocks of 32 bytes. As a matter of fact, the sub-blocks issued by the microcontroller and separated by a transmit command, can be between 0 and 32 bytes long.

If the XFIFO runs out of data and the XME command bit has not been set, the frame will be terminated with an abort sequence (seven 1's) followed by inter-frame time fill, and the microcontroller will be advised by a Transmit Data Underrun (XDU) interrupt. An HDLC frame may also be aborted by setting the Transmitter Reset (XRES) command bit.

4 Detailed Register Description

The parameterization of the ICC and the transfer of data and control information between the μ P and ICC is performed through two register sets.

The register set in the address range 00-2 B_H pertains to the HDLC transceiver and LAPD controller. It includes the two FIFOs having an identical address range from 00-1 F_H.

The register set ranging from 30-3 A_H pertains to the control of layer-1 functions and of the IOM interface. Since the meaning of most register bits depends on the select IOM mode (IOM-1 or IOM-2), the description of this register set is divided into two sections:

- Special Purpose Registers: IOM-1 mode
- Special Purpose Registers: IOM-2 mode

The address map and a register summary are shown in the following tables:

Table 13
ICC Address Map 00-2B_H

Address (hex)	Read		Write	
	Name	Description	Name	Description
00 . . 1F	RFIFO	Receive FIFO	XFIFO	Transmit FIFO
20	ISTA	Interrupt Status Register	MASK	Mask Register
21	STAR	Status Register	CMDR	Command Register
22	MODE	Mode Register		
23	TIMR	Timer Register		
24	EXIR	Extended Interrupt Register	XAD1	Transmit Address 1
25	RBCL	Receive Frame Byte Count Low	XAD2	Transmit Address 2
26	SAPR	Receive SAPI	SAP1	Individual SAPI 1
27	RSTA	Receive Status Register	SAP2	Individual SAPI 2
28			TEI1	Individual TEI 1
29	RHCR	Receive HDLC Control	TEI2	Individual TEI 2
2A	RBCH	Receive Frame Byte Count High		
2B	STAR2	Status Register 2		

Table 14
ICC Address Map 30-3Ah

Address (hex)	Read		Write	
	Name	Description	Name	Description
30	SPCR	Serial Port Control Register		
31	CIRR/ CIR0	Command /Indication Receive (0)	CIXR/ CIX0	Command/Indication Transmit (0)
32	MOR/ MOR0	MONITOR Receive (0)	MOX/ MOX0	MONITOR Transmit (0)
33	SSCR/ CIR1	SIP Signaling Code Receive Command/Indication Receive 1	SSCX/ CIX1	SIP Signaling Code Transmit Command/Indication Transmit 1
34	SFCR/ MOR1	SIP Feature Control Read/ MONITOR Receive 1	SFCW/ MOX1	SIP Feature Control Write/ MONITOR Transmit 1
35	C1R	Channel Register 1		
36	C2R	Channel Register 2		
37	B1CR	B1 Channel Register	STCR	Sync Transfer Control Register
38	B2CR	B2 Channel Register	ADF1	Additional Feature Register 1
39	ADF2	Additional Feature Register 2		
3A	MOSR	MONITOR Status Register	MOCR	MONITOR Control Register

Table 15
Register Summary: HDLC Operation and Status Registers

20H	RME	RPF	RSC	XPR	TIN	CIC	SIN	EXI	ISTA	R
20H									MASK	W
21H		XFW	XRNR	RRNR	MBR	MAC1	BVS	MAC0	STAR	R
21H	RMC	RRES	RNR	STI	XTF	XIF	XME	XRES	CMD	W
22H		MDS1	MDS0	TMD	RAC	DIM2	DIM1	DIM0	MOD	R/W
23H		CONT				VAL-			TIMR	R/W
24H	XMR	XDU	PCE	RFO	SOV	MOS	SAW	WOV	EXIR	R
24H									XAD1	R
25H	RBC7	RBC6	RBC5	RBC4	RBC3	RBC2	RBC1	RBC0	RBCL	R
25H									XAD2	W
26H									SAPR	R
26H			SAPI1				CRI	0	SAP1	W
27H	RDA	RDO	CRC	RAB	SA1	SA0	C/R	TA	RSTA	R
27H			SAPI2				MCS	0	SAP2	W
28H				TEI1				EA	TEI1	W
29H									RHCR	R
29H				TEI2				EA	TEI2	W
2AH	XAC	VN1	VN0	OV	RBC1	RBC1	RBC9	RBC8	RHCR	R
2BH	0	0	0	0	WFA	0	TREC	SDET	STAR	R

Table 16
Register Summary: Special Purpose Register IOM[®]-1 Mode

IOM[®]-1:

30H	SPU	SAC	SPM	TLP	C1C1	C1C0	C2C1	C2C0	SPCR	R/W
31H	0	BAS		CODR			CIC0	0	CIRR	R
31H	RSS	BAC		CODX			TCX	ECX	CIXR	W
32H									MOR	R
32H									MOX	W
33H									SSCR	R
33H									SSCX	W
34H									SFCR	R
34H									SFC	W
35H									C1R	R/W
36H									C2R	R/W
37H									B1CR	R
37H	TSF	TBA2	TBA1	TBA0	ST1	ST0	SC1	SC0	STCR	W
38H									B2CR	R
38H		WTC2	0	0	0	0	0	ITF	ADF1	W
39H	IMS	0	0	0	0	0	0	0	ADF2	R/W

Table 17
Register Summary: Special Purpose Register IOM[®]-2 Mode

IOM[®]-2:

30H	SPU	0	SPM	TLP	C1C1	C1C0	C2C1	C2C0	SPCR	R/W
31H	0	BAS		CODR0			CIC0	CIC1	CIR0	R
31H	RSS	BAC		CODX0			1	1	CIX0	W
32H									MOR0	R
32H									MOX0	W
33H				CODR1			MR1	MX1	CIR1	R
33H				CODX1			1	1	CIX1	W
34H									MOR1	R
34H									MOX1	W
35H									C1R	R/W
36H									C2R	R/W
37H									B1CR	R
37H	TSF	TBA2	TBA1	TBA0	ST1	ST0	SC1	SC0	STCR	W
38H									B2CR	R
38H		WTC2	CI1E	IDC	CSEL	CSEL	CSEL	ITF	ADF1	W
39H	IMS	D2C2	D2C1	D2C0	ODS	D1C2	D1C1	D1C0	ADF2	R/W
3AH		MER1	MDA1	MAB1	MDR0	MER0	MDA0	MAB0	MOS	R
3AH		MRC1	MIE1	MXC1	MRE0	MRC0	MIE0	MXC0	MOC	W

4.1 HDLC Operation and Status Registers

4.1.1 Receive FIFO RFIFO Read Address 00-1FH

A read access to any address within the range 00-1FH gives access to the “current” FIFO location selected by an internal pointer which is automatically incremented after each read access. This allows for the use of efficient “moving string” type commands by the processor.

The RFIFO contains up to 32 bytes of received frame.

After an ISTA:RPF interrupt, exactly 32 bytes are available.

After an ISTA:RME interrupt, the number of bytes available can be obtained by reading the RBCL register.

4.1.2 Transmit FIFO XFIFO Write Address 00-1FH

A write access to any address within the range 00-1FH gives access to the “current” FIFO location selected by an internal pointer which is automatically incremented after each write access. This allows for the use of efficient “move string” type commands by the processor.

Up to 32 bytes of transmit data can be written into the XFIFO following an ISTA:XPR interrupt.

4.1.3 Interrupt Status Register ISTA Read Address 20H

Value after reset: 00H



RME Receive Message End
 One complete frame of length less than or equal to 32 bytes, or the last part of a frame of length greater than 32 bytes has been received. The contents are available in the RFIFO. The message length and additional information may be obtained from RBCH+RBCL and the RSTA register.

RPF Receive Poll Full
 A 32-byte block of a frame longer than 32 bytes has been received and is available in the RFIFO. The frame is not yet complete.

- RSC** Receive Status Change. Used in auto mode only.
A status change in the receiver of the remote station – Receiver Ready/Receiver Not Ready - has been detected (RR or RNR S-frame). The actual status of the remote station can be read from the STAR register (RRNR bit).
- XPR** Transmit Pool Ready
A data block of up to 32 bytes can be written to the XFIFO.
An XPR interrupt will be generated in the following cases:
- after an XTF or XIF command, when one transmit pool is emptied and the frame is not yet complete
 - after an XTF together with an XME command is issued, when the whole transparent frame has been transmitted
 - after an XIF together with an XME command is issued, when the whole I frame has been transmitted and a positive acknowledgment from the remote station has been received, (auto mode).
- TIN** Timer Interrupt
The internal timer and repeat counter has expired (see TIMR register).
- CIC** Channel Change
A change in C/I channel 0 or C/I channel 1 (only in IOM-2 TE mode) has been recognized. The actual value can be read from CIR0 or CIR1.
- SIN** Synchronous Transfer Interrupt
When programmed (STCR register), this interrupt is generated to enable the processor to lock on to the IOM timing, for synchronous transfers.
- EXI** Extended Interrupt
This bit indicates that one of six non-critical interrupts has been generated. The exact interrupt cause can be read from EXIR.
- Note:** A read of the ISTA register clears all bits except EXI and CISQ. EXI is cleared by the reading of EXIR register, CISQ is cleared by reading CIRR/CIR0.

4.1.4 Mask Register

MASK

Write

Address 20H

Value after reset: 00H

7							0
RME	RPF	RSC	XPR	TIN	CIC	SIN	EXI

Each interrupt source in the ISTA register can be selective masked by setting to “1” the corresponding bit in MASK. Masked interrupt status bits are not indicated when ISTA is read. Instead, they remain internally stored and pending, until the mask bit is reset to zero.

Note: In the event of an extended interrupt and of a C/I or S/Q channel change, EXI and CIC are set in ISTA even if the corresponding mask bits in MASK are active, but no interrupt (INT pin) is generated.

4.1.5 Status Register

STAR

Read

Address 2H

Value after reset: 48H

7							0
XDOV	XFW	XRNR	RRN	MBR	MAC	BVS	MAC0

XDOV

Transmit Data Overflow

More than 32 bytes have been written in one pool of the XFIFO, i.e. data has been overwritten.

XFW

Transmit FIFO Write Enable

Data can be written in the XFIFO. This bit may be polled instead of (or in addition to) using the XPR interrupt.

XRNR

Transmit RNR. Used in auto mode only

In auto mode, this bit indicates whether the ICC-B receiver is in the “ready” (0) or “not ready” (1) state. When “not ready”, the ICC-B sends an RNR S-frame autonomously to the remote station when an I frame or an S frame is received.

RRNR

Receive RNR. Used in auto mode only.

In the auto mode, this bit indicates whether the ICC-B has received an RR or an RNR frame, this being an indication of the current state of the remote station: receiver ready (0) or receiver not ready (1).

- MBR** Message Buffer Ready
This bit signifies that temporary storage is available in the RFIFO to receive at least the first 16 bytes of a new message.
- MAC1** MONITOR Transmit Channel 1 Active (IOM-2 terminal mode only)
Data transmission is in progress in MONITOR channel 1.
- BVS** B channel valid on SIP (IOM-1 mode only). B channel on SIP (SLD) can be accessed.
- MAC0** MONITOR Transmit Channel 0 Active. Used in IOM-2 mode only.
Data transmission is in progress in MONITOR channel 0.

4.1.6 Command Register

CMDR

Write

Address 2H

Value after reset: 00H

7

0

RMC	RRE	RNR	STI	XTF	XIF	XME	XRES
-----	-----	-----	-----	-----	-----	-----	------

Note: The maximum time between writing to the CMDR register and the execution of the command is 2.5 DCL clock cycles. During this time no further commands should be written to the CMDR register to avoid any loss of commands.

- RMC** Receive Message Complete
Reaction to RPF (Receive Pool Full) or RME (Receive Message End) interrupt. By setting this bit, the processor confirms that it has fetched the data, and indicates that the corresponding space in the RFIFO may be released.
- RRES** Receiver Reset
HDLC receiver is reset, the RFIFO is cleared of any data.
In addition, in auto mode, the transmit and receive counters (V(S), V(R)) are reset.
- RNR** Receiver Not Ready. Used in auto mode only.
Determines the state of the ICC-B HDLC receiver.
When RNR="0", a received I or S-frame is acknowledged by an RR supervisory frame, otherwise by an RNR supervisory frame.
- STI** Start Timer.
The ICC-B hardware timer is started when STI is set to one. In the internal timer mode (TMD bit, MODE register) an S Command (RR, RNR) with poll bit set is transmitted in addition. The timer may be stopped by a write of the TIMR register.

XTF Transmit Transparent Frame

After having written up to 32 bytes in the XFIFO, the processor initiates the transmission of a transparent frame by setting this bit to “1”. The opening flag is automatically added to the message by the ICC-B.

XIF Transmit I Frame. Used in auto mode only

After having written up to 32 bytes in the XFIFO, the processor initiates the transmission of an I frame by setting this bit to “1”. The opening flag, the address and the control field are automatically added by the ICC-B.

XME Transmit Message End

By setting this bit to “1” the processor indicates that the data block written last in the XFIFO complete the corresponding frame. The ICC-B terminates the transmission by appending the CRC and the closing flag sequence to the data.

XRES Transmitter Reset

HDLC transmitter is reset and the XFIFO is cleared of any data.

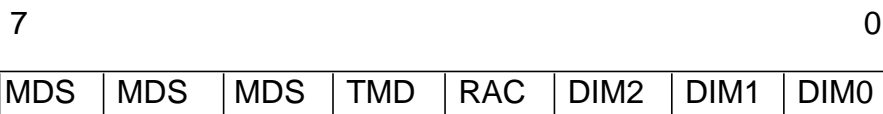
This command can be used by the processor to abort a frame currently in transmission.

- Notes:**
- After an XPR interrupt further data has been written in the XFIFO and the appropriate Transmit Command (XTF or XIF) has to be written in the CMDR register again to continue transmission, when the current frame is not yet complete (see also XPR in ISTA).
 - During frame transmission, the 0-bit insertion according to the HDLC bit-stuffing mechanism is done automatically.

4.1.7 Mode Register

MODE **Read/Write** **Address 22H**

Value after reset: 00H



MDS2-0 Mode Select

Determines the message transfer mode of the HDLC controller, as follows:

MDS2 MDS1 MDS0	Mode	Number of Address Bytes	Address Comparison		Remark
			1.Byte	2.Byte	
0 0 0	Auto mode	1	TEI1,TEI2	–	One-byte address compare. HDLC protocol handling for frames with address TEI1
0 0 1	Auto mode	2	SAP1,SAP2,SAPG	TEI1,TEI2,TEIG	Two-byte address compare. LAPD protocol handling for frames with address SAP1 + TEI1
0 1 0	Non-Auto mode	1	TEI1,TEI2	–	One-byte address compare.
0 1 1	Non-Auto mode	2	SAP1,SAP2,SAPG	TEI1,TEI2,TEIG	Two-byte address compare.
1 0 0	Reserved				
1 0 1	Transparent mode 1	>1	–	TEI1,TEI2,TEIG	Low-byte address compare.
1 1 0	Transparent mode 2	–	–	–	No address compare. All frames accepted.
1 1 1	Transparent mode 3	>1	SAP1,SAP2,SAPG	–	High-byte address compare.

Note: SAP1, SAP2: two programmable address values for the first received address byte (in the case of an address field longer than 1 byte);
SAPG = fixed value FC / FE_H.

TEI1, TEI2: two programmable address values for the second (or the only, in the case of a one-byte address) received address byte;
TEIG = fixed value FF_H.

TMD

Timer Mode

Sets the operating mode of the ICC-B timer. In the external mode (0) the timer is controlled by the processor. It is started by setting the STI bit in CMDR and it is stopped by a write of the TIMR register.

In the internal mode (1) the timer is used internally by the ICC-B for timeout and retry conditions (handling of LAPD/HDLC protocol in auto mode).

RAC Receiver Active

The HDLC receiver is activated when this bit is set to “1”.

DIM2-0 Digital Interface Mode

These bits define the characteristics of the IOM Data Ports (IDP0, IDP1) according to following tables:

IOM[®]-1 Modes (ADF2:IMS = 0)

Characteristics	DIM2-0					
	0	1	2	3	4	5-7
IOM frame structure	x	x	x	x		
HDLC interface						x
MONITOR channel used for TIC bus access ¹⁾	x	x	x	x		
MONITOR channel used for data transfer			x	x		
MONITOR channel stop/go bit evaluated for D-channel access handling ²⁾		x		x		
Reserved					x	

- Notes:**
- ¹⁾ If the TIC bus access handling is not required, i.e. if only one layer-2 device occupies the D and C/I channel, the TIC bus address should be programmed to “111” e.g. STCR = 70H.
 - ²⁾ This function must be selected if the ICC controls an S layer-1 device (SBC PEB 2080) in a TE configuration.

IOM[®]-2 Modes (ADF2:IMS = 1)

Characteristics	0	1	2	3	4-7
IOM -2 terminal mode SPCR:SPM = 0	x	x	x	x	
IOM -2 non-terminal mode SPCR:SPM = 1			x	x	
Last octet of IOM channel 2 used for TIC bus access	x	x			
Stop/go bit evaluated for D-channel access handling ¹⁾		x		x	
Reserved					x

Note: ¹⁾ This function must be selected if the ICC controls an S layer-1 device (SBCX PEB 2081) in a TE configuration.

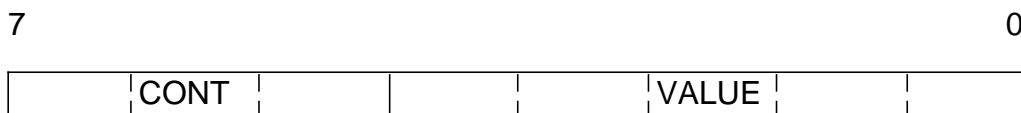
4.1.8 Timer Register

TIMR

Read/Write

Address 23H

Value after reset: undefined (previous value)



CNT The meaning depends on the selected timer mode (TMD bit, MODE register).

*** Internal Timer Mode (TMD = 1)**

CNT indicates the maximum number of S commands “N1” which are transmitted autonomously by the ICC after expiration of time period T1 (retry, according to HDLC).

The internal timer procedure will be **started** in auto mode:

- after start of an I-frame transmission

or

- after an “RNR” S frame has been received.

After the last retry, a timer interrupt (TIN-bit in ISTA) is generated.

The timer procedure will be **stopped** when

- a TIN interrupt is generated. The time between the start of an I-frame transmission or reception of an “RNR” S frame and the generation of a TIN interrupt is equal to: $(CNT + 1) \times T1$.

- or the TIMR is written

- or a positive or negative acknowledgement has been received.

Note: The maximum value of CNT can be 6. If CNT is set to 7, the number of retries is unlimited.

* External Timer Mode (TMD = 0)

CNT together with VALUE determine the time period T2 after which a TIN interrupt will be generated:

$$CNT \times 2.048 \text{ s} + T1$$

with $T1 = (VALUE + 1) \times 0.064 \text{ s}$,

in the normal case, and

$$T2 = 16348 \times CNT \times DCL + T1$$

with $T1 = 512 \times (VALUE + 1) \times DCL$

when TLP = 1 (test loop activated, SPCR register).

DCL denotes the period of the DCL clock.

The timer can be started by setting the STI-bit in CMDR and will be stopped when a TIN interrupt is generated or the TIMR register is written.

Note: If CNT is set to 7, a TIN interrupt is indefinitely generated after every expiration of T1.f

VALUE Determines the time period T1:

$T1 = (VALUE + 1) \times 0.064 \text{ s}$ (SPCR:TLP = 0, normal mode)

$T1 = 512 \times (VALUE + 1) \times DCL$ (SPCR:TLP = 1, test mode).

4.1.9 Extended Interrupt Register

EXIR

Read

Address 24H

Value after reset: 00H.

7

0

XMR	XDU	PCE	RFO	SOV	MOS	SAW	WOV
-----	-----	-----	-----	-----	-----	-----	-----

XMR Transmit Message Repeat

The transmission of the last frame has to be repeated because:

- the ICC-B has received a negative acknowledgment to an I frame in auto mode (according to HDLC/LAPD)
- or a collision on the S bus has been detected after the 32nd data byte of a transmit frame.

XDU Transmit Data Underrun

The current transmission of a frame is aborted by transmitting seven “1’s” because the XFIFO holds no further data. This interrupt occurs whenever the processor has failed to respond to an XPR interrupt (ISTA register) quickly enough, after having initiated a transmission and the message to be transmitted is not yet complete.

Note: When a XMR or an XDU interrupt is generated, it is not possible to send transparent frames or I frames until the interrupt has been acknowledged by reading EXIR.

PCE Protocol Error. Used in auto mode only.

A protocol error has been detected in auto mode due to a received

- S or I frame with an incorrect sequence number N (R) or
- S frame containing an I field.

RFO Receive Frame Overflow

The received data of a frame could not be stored, because the RFIFO is occupied. The whole message is lost.

This interrupt can be used for statistical purposes and indicates that the processor does not respond quickly enough to an RPF or RME interrupt (ISTA).

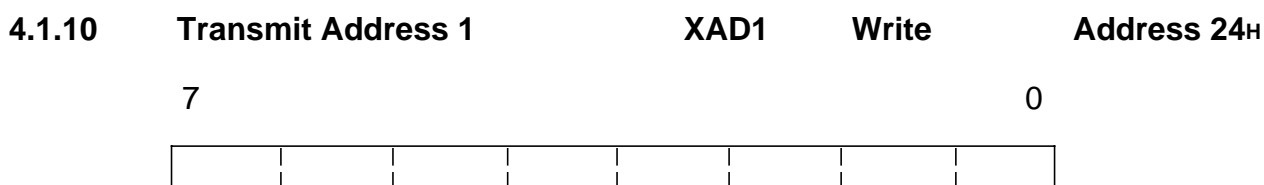
SOV Synchronous Transfer Overflow

The synchronous transfer programmed in STCR has not been acknowledged in time via the SC0/SC1 bit.

MOS MONITOR Status

A change in the MONITOR Status Register (MOSR) has occurred (IOM-2).
A new MONITOR channel byte is stored in MOR0 (IOM-1).

- SAW** Subscriber Awake. Used only if terminal specific functions are enabled (STCR:TSF = 1).
Indicates that a falling edge on the EAW line has been detected, in case the terminal specific functions are enabled (TSF-bit in STCR).
- WOV** Watchdog Timer Overflow. Used only if terminal specific functions are enabled (STCR:TSF = 1).
Signals the expiration of the watchdog timer, which means that the processor has failed to set the watchdog timer control bits WTC1 and WTC2 (ADF1 register) in the correct manner. A reset pulse has been generated by the ICC-B.



Used in auto mode only.

XAD1 contains a programmable address byte which is appended automatically to the frame by the ICC-B in auto mode. Depending on the selected address mode XAD1 is interpreted as follows:

*** 2-Byte Address Field**

XAD1 is the high byte (SAPI in the ISDN) of the 2-byte address field. Bit 1 is interpreted as the command/response bit "C/R". It is automatically generated by the ICC-B following the rules of ISDN LAPD protocol and the CRI bit value in SAP1 register. Bit 1 has to be set to "0".

C/R Bit		Transmitting End	CRI Bit
Command	Response		
0	1	subscriber	0
1	0	network	0

In the ISDN LAPD the address field extension bit "EA", i.e. bit 0 of XAD1 has to be set to "0".

*** 1-Byte Address Field**

According to the X.25 LAPB protocol, XAD1 is the address of a command frame.

Note: In standard ISDN applications only 2-byte address fields are used.

4.1.11 Receive Frame Byte Count Low RBCL Read Address 25H

Value after reset: 00H



RBC7-0 Receive byte Count

Eight least significant bits of the total number of bytes in a received message. Bits RBC4-0 indicate the length of a data block currently available in the RFIFO, the other bits (together with RBCH) indicate the number of whole 32-byte blocks received.

If exactly 32 bytes are received RBCL holds the value 20H.

4.1.12 Transmit Address 1 XAD2 Write Address 25H



Used in auto mode only.

XAD2 contains the second programmable address byte, whose function depends on the selected address mode:

*** 2-Byte Address Field**

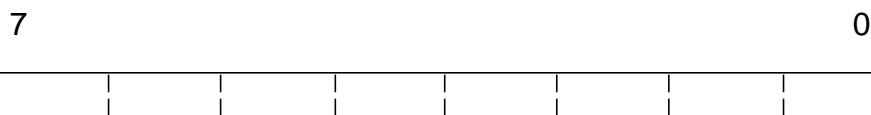
XAD2 is the low byte (TEI in the ISDN) of the 2-byte address field.

*** 1-Byte Address Field**

According to the X.25 LAPB protocol, XAD2 is the address of a response frame.

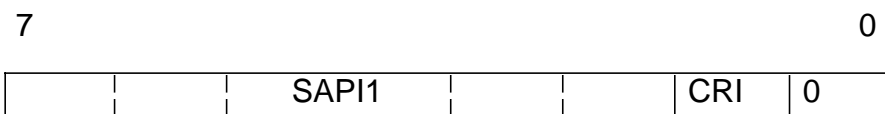
Note: See note to XAD1 register description.

4.1.13 Received SAPI Register SAPR Read Address 26H



When a transparent mode 1 is selected SAPR contains the value of the first address byte of a receive frame.

4.1.14 SAPI1 Register SAP1 Write Address 26H



SAPI1 SAPI1 value

Value of the first programmable Service Access Point Identifier (SAPI) according to the ISDN LAPD protocol.

CRI Command/Response Interpretation

CRI defines the end of the ISDN user-network interface the ICC-B is used on, for the correct identification of “Command” and “Response” frames. Depending on the value of CRI the C/R-bit will be interpreted by the ICC-B, when receiving frames in auto mode, as follows:

		C/R Bit	
CRI Bit	Receiving End	Command	Response
0	subscriber	1	0
1	network	0	1

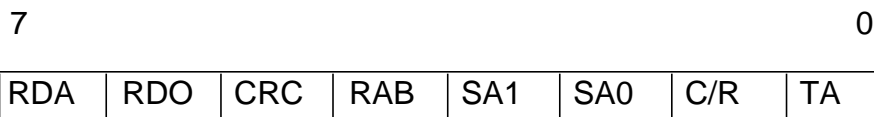
For transmitting frames in auto mode, the C/R-bit manipulation will also be done automatically, depending on the value of the CRI-bit (refer to XAD1 register description).

In message transfer modes with SAPI address recognition the first received address byte is compared with the programmable values in SAP1, SAP2 and the fixed group SAPI.

In 1-byte address mode, the CRI-bit is to be set to “0”.

4.1.15 Receive Status Register RSTA Read Address 27H

Value after reset: undefined



- RDA** Receive Data
 A “1” indicates that data is available in the RFIFO. After an RME-interrupt, a “0” in this bit means that data is available in the internal registers RHCR or SAPR only (e.g. S-frame). See also RHCR-register description table.
- RDO** Receive Data Overflow
 At least one byte of the frame has been lost, because it could not be stored in RFIFO (1).
- CRC** CRC Check
 The CRC is correct (1) or incorrect (0).
- RAB** Receive Message Aborted
 The receive message was aborted by the remote station (1), i.e. a sequence of 7 1’s was detected before a closing flag.
- SA1-0** SAPI Address Identification
- TA** TEI Address Identification
 SA1-0 are significant in auto-mode and non-auto-mode with a two-byte address field, as well as in transparent mode 3. TA is significant in all modes except in transparent modes 2 and 3.
 Two programmable SAPI values (SAP1, SAP2) plus a fixed group SAPI (SAPG of value FC/FE_H), and two programmable TEI values (TEI1, TEI2) plus a fixed group TEI (TEIG of value FF_H), are available for address comparison.

The result of the address comparison is given by SA1-0 and TA, as follows:

	SA1	SA0	TA	Address Match with	
				1 st Byte	2 nd Byte
Number of Address Bytes=1	x	x	0	TEI2	-
	x	x	1	TEI1	-
Number of address Bytes=2	0	0	0	SAP2	TEIG
	0	0	1	SAP2	TEI2
	0	1	0	SAPG	TEIG
	0	1	1	SAPG	TEI1 or TEI2
	1	0	0	SAP1	TEIG
	1	0	1	SAP1	TEI1
	1	1	x	reserved	

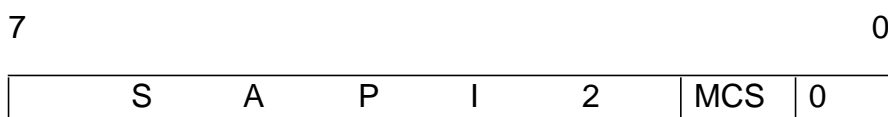
- Notes:**
- If the SAPI values programmed to SAP1 and SAP2 are identical the reception of a frame with SAP2/TEI2 results in the indication SA1=1, SA0=0, TA=1.
 - Normally RSTA should be read by the processor after an RME-interrupt in order to determine the status of the received frame. The contents of RSTA are valid only after an RME-interrupt, and remain so until the frame is acknowledged via the RMC-bit.

C/R Command/Response

The C/R-bit identifies a receive frame as either a command or a response, according to the LAPD-rules:

Command	Response	Direction
0	1	Subscriber to network
1	0	Network to subscriber

4.1.16 SAP12 Register SAP2 Write Address 27H

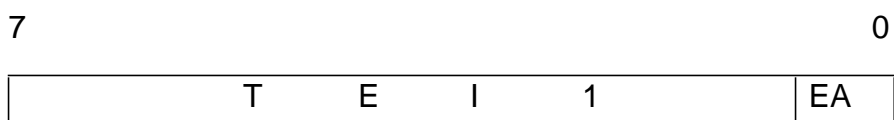


SAP12 SAP12 value

Value of the second programmable Service Access Point Identifier (SAPI) according to the ISDN LAPD-protocol.

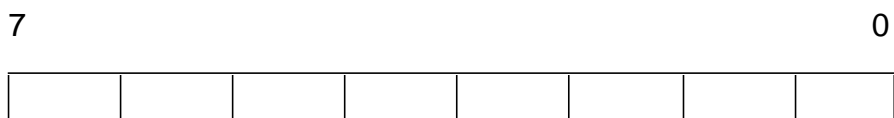
MCS Modulo Count Select. Used in auto-mode only.
 This bit determines the HDLC-control field format as follows:
 0: One-byte control field (modulo 8)
 1: Two-byte control field (modulo 128)

4.1.17 TEI1 Register 1 **TEI1** **Write** **Address 28H**



EA Address field Extension bit
 This bit is set to “1” according to HDLC/LAPD.
 In all message transfer modes except in transparent modes 2 and 3, TEI1 is used by the ICC-B for address recognition. In the case of a two-byte address field, it contains the value of the first programmable Terminal Endpoint Identifier according to the ISDN LAPD-protocol.
 In the auto-mode with a two-byte address field, numbered frames with the address SAPI1-TEI1 are handled autonomously by the ICC-B according to the LAPD-protocol.
Note: If the value FF_H is programmed in TEI1, received numbered frames with address SAPI1-TEI1 (SAPI1-TEIG) are not handled autonomously by the ICC-B.
 In auto and non-auto-modes with one-byte address field, TEI1 is a command address, according to X.25 LAPB.

4.1.18 Receive HDLC Control Register **RHCR** **Read** **Address 29H**



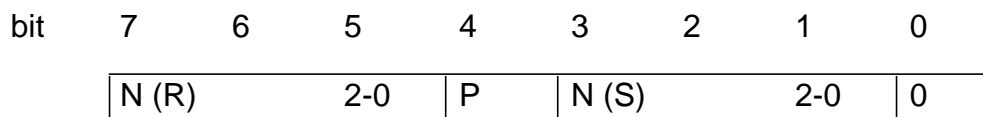
In all modes except transparent modes 2 and 3, this register contains the control field of a received HDLC-frame. In transparent modes 2 and 3, the register is not used.

Mode	Contents of RHCR		Contents of RFIFO
	Modulo 8 (MCS=0)	Modulo 128 (MCS=1)	
Auto-mode, 1-byte address (U/I frames) (Note 1)	Control field	U-frames only: Control field (Note 2)	From 3 rd byte after flag (Note 4)
Auto-mode, 2-byte address (U/I frames) (Note 1)	Control field	U-frames only: Control field (Note 2)	From 4 th byte after flag (Note 4)
Auto-mode, 1-byte address (I frames)		Control field compressed form (Note 3)	From 4 th byte after flag (Note 4)
Auto-mode, 2-byte address (I frames)		Control field in compressed form (Note 3)	From 5 th byte after flag (Note 4)
Non-auto-mode, 1-byte address	2 nd byte after flag		From 3 rd byte after flag
Non-auto-mode, 2-byte address	3 rd byte after flag		From 4 th byte after flag
Transparent mode 1	3 rd byte after flag		From 4 th byte after flag
Transparent mode 2	–		From 1 st byte after flag
Transparent mode 3	–		From 2 nd byte after flag

Note 1 S-frames are handled automatically and are not transferred to the microprocessor.

Note 2 For U-frames (bit 0 of RHCR = 1) the control field is as in the modulo 8 case.

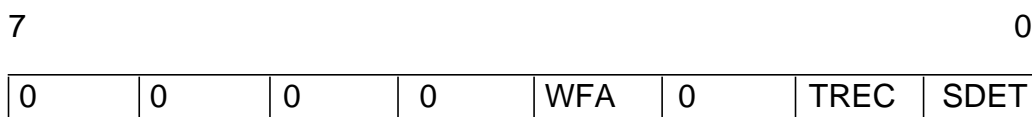
Note 3 For I-frames (bit 0 of RHCR = 0) the compressed control field has the same format as in the modulo 8 case, but only the three LSB's of the receive and transmit counters are visible:



Note 4 I-field.

Note: Normally RBCH and RBCL should be read by the processor after an RME-interrupt in order to determine the number of bytes to be read from the RFIFO, and the total message length. The contents of the registers are valid only after an RME-interrupt, and remain so until the frame is acknowledged via the RMC-bit.

4.1.21 Status Register 2 STAR2 Read Address 2B_H



SDET S-frame detected: this bit is set to “1” by the first received correct I-frame or S-command with p = 1.
It is reset by reading the STAR2 register.

TREC Timer recovery status:
0: The device is not in the Timer Recovery state.
1: The device is in the Timer Recovery state.

WFA Waiting for Acknowledge. This bit shows, if the last transmitted I-frame was acknowledged, i.e. V(A) = V(S) (\Rightarrow WFA= 0) or was not yet acknowledged, i.e. V(A) < V(S) (\Rightarrow WFA = 1).

4.2 Special Purpose Registers: IOM-1Mode

The following register description is only valid if IOM-1 Mode is selected (ADF2:IMS = 0).
For IOM-2 Mode refer to **chapter 4.3**.

4.2.1 Serial Port Control Register SPCR Read/Write Address 30_H

Value after reset: 00_H



Important Note After a hardware reset the pins SDAX/SDS1 and SCA/FSD/SDS2 are both “low” and have the functions of SDS1 and SDS2 in terminal timing mode (since SPM = 0), respectively, until the SPCR is written to for the first time. From that moment, the function taken on by these pins depends on the state of the IOM Mode Select bit IMS (ADF2 register).

- SPU** Software Power Up. Used in TE-mode only.
 Setting this bit to 1 will pull the IDP1-line low. This will enforce the connected layer-1 device to deliver IOM-clocking.
 After power down in TE-mode the SPU-bit has to be set to “1” and then cleared again.
 After a subsequent CIC-interrupt (C/I-code change; ISTA) and reception of the C/I-code “PU” (Power Up indication in TE-mode) the reaction of the processor would be:
- to write an Activate Request command as C/I-code in the CIXR-register
 - to reset the SPU-bit and wait for the following CIC-interrupt.
- SAC** SIP-port activation; SIP-port is in high impedance state (SAC=0) or operating (SAC=1).
- SPM** Serial Port Timing Mode; Depending on the interface mode, the following timing options are provided.
- 0 Timing mode 0; SIP (SLD) operates in master mode, SCA-supplies the 128-kHz data clock signal for port A (SSI).
 Typical applications: TE, NT-modes
 - 1 Timing mode 1; SIP (SLD) operates in slave mode, FSD supplies a delayed frame synchronization signal for the IOM interface, serial port A (SSI) is not used.
 Typical applications: LT-T, LT-S-modes.
- TLP** Test Loop
- When set to 1 the IDP1 and IDP0 lines are internally connected together, and the times T1 and T2 are reduced (cf. TIMR).

C1C1, C1C0 Channel 1 Connect

Switching of B1 channel

C1C1	C1C0	C1R		B1CR	Application(s)
		Read	Write	Read	
0	0	SIP	SIP	IOM	B1 not switched, SIP-looping
0	1	SIP	–	IOM	B1 switched to/from SIP
1	0	SDAR	–	IOM	B1 switched to/from SPa (SSI)
1	1	IOM	IOM	–	IOM-looping

C2C1, C2C0 Channel 2 Connect

Switching of B2-channel

C2C1	C2C0	C2R		B2CR	Application(s)
		Read	Write	Read	
0	0	SIP	SIP	IOM	B2 not switched, SIP-looping
0	1	SIP	–	IOM	B2 switched to/from SIP
1	0	SDAR	–	IOM	B2 switched to/from SPa (SSI)
1	1	IOM	IOM	–	IOM-looping

4.2.2 Command/Indication Receive Register CIRR Read Address 31H

Value after reset: 7CH.

7 0

0	BAS	C	O	D	R	CIC0	0
---	-----	---	---	---	---	------	---

BAS Bus Access Status

Indicates the state of the TIC-bus:

0: the ICC-B itself occupies the D-and C/I-channel

1: another device occupies the D-and C/I-channel

CODR C/I-code Receive

Value of the receive Command/Indication code. A C/I-code is loaded in CODR only after being the same in two consecutive IOM-frames and the previous code has been read from CIRR.

CIC0 C/I-Code Change

A change in the received Command/Indication code has been recognized. This bit is set only when a new code is detected in two consecutive IOM-frames. It is reset by a read of CIRR.

Note: The BAS and CODR bits are updated every time a new C/I-code is detected in two consecutive IOM-frames.

If several consecutive codes are detected and CIRR is not read, only the first and the last C/I-code (and BAS bit) is made available in CIRR at the first and second read of that register, respectively.

4.2.3 Command/Indication Transmit Register CIXR Write Address 31H

Value after reset: 3CH.

7							0
RSS	BAC	C	O	D	X	TCX	ECX

RSS Reset Source Select

Only valid if the terminal specific functions are activated (STCR:TSF).

0 → **Subscriber or Exchange Awake**

As reset source serves:

- a falling edge on the EAW-line (External Subscriber Awake)
- a C/I-code change (Exchange Awake).

A logical zero on the EAW-line activates also the IOM-interface clock and frame signal, just as the SPU-bit (SPCR) does.

1 → **Watchdog Timer**

The expiration of the watchdog timer generates a reset pulse.

The watchdog timer will be reset and restarted, when two specific bit combinations are written in the ADF1-register within the time period of 128 ms (see also ADF1 register description).

After a reset pulse generated by the ICC-B and the corresponding interrupt (WOV, SAW or CIC) the actual reset source can be read from the ISTA and EXIR-register.

BAC Bus Access Control

Only valid if the TIC-bus feature is enabled (MODE:DIM2-0).

If this bit is set, the ICC-B will try to access the TIC-bus to occupy the C/I-channel even if no D-channel frame has to be transmitted. It should be reset when the access has been completed to grant a similar access to other devices transmitting in that IOM-channel.

Note: Access is always granted by default to the ICC-B with TIC-bus Address (TBA2-0, STCR register) "7", which is the lowest priority in a bus configuration.

CODX C/I-Code Transmit

Code to be transmitted in the C/I-channel.

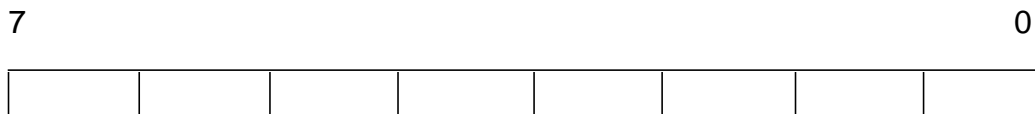
TCX T-channel transmit

Output on IOM in T-channel.

ECX E-channel transmit

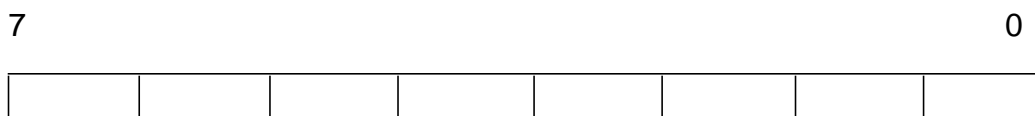
Output on IOM in E-channel.

4.2.4 MONITOR Receive Register MOR Read Address 32H



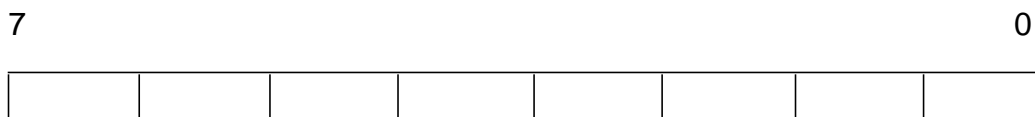
Contains the MONITOR data received according to the MONITOR channel protocol (E-bit = 0).

4.2.5 MONITOR Transmit Register MOX Write Address 32H



The byte written into MOX is transmitted once in the MONITOR channel.

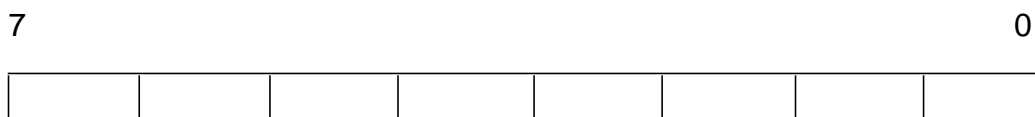
4.2.6 SIP Signaling Code Receive SSCR Read Address 33H



SSCR SIP-signaling code received; only valid in timing mode 0 (SPCR:SPM = 0).
The signaling byte received on SIP can be read from this register.

4.2.7 SIP Signaling Code Transmit SSCX Write Address 33H

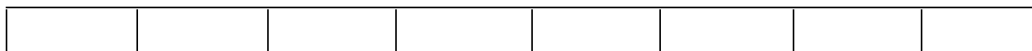
Value after reset: FF_H



SSCX SIP signaling code transmit; significant only in timing mode 0 (SPCR:SPM = 0).
The contents of SSCX are continuously output in the signaling byte on SIP (SLD).

4.2.8 SIP Feature Control Read SFCR Read Address 34H

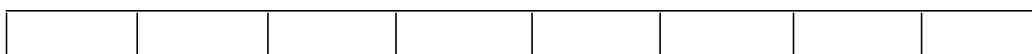
7 0



Contains the FC-data received on SIP (timing mode 0 only, SPCR:SPM = 0).

4.2.9 SIP Feature Control Write SFCW Write Address 34H

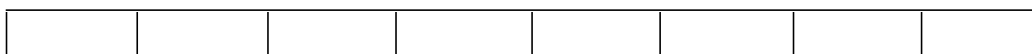
7 0



The byte written into SFCW is output once on SIP in the FC-channel (timing mode 0 only, SPCR:SPM = 0).

4.2.10 Channel Register 1 C1R Read/Write Address 35H

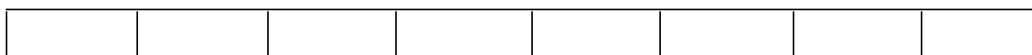
7 0



Contains the value received/transmitted in the B1-channel (cf. C1C1, C1C0, SPCR-register).

4.2.11 Channel Register 2 C2R Read/Write Address 36H

7 0



Contains the value received/transmitted in the B2-channel (cf. C2C1, C2C0, SPCR-register).

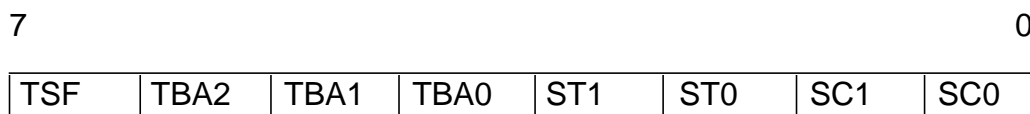
4.2.12 B1 Channel Register **B1CR** **Read** **Address 37H**



Contains the value received in the B1-channel, as if programmed (cf. C1C1, C1C0, SPCR-register).

4.2.13 Synchronous Transfer Control Register **STCR** **Write** **Address 37H**

Value after reset: 00H



TSF Terminal Specific Functions

0 No terminal specific functions

1 The terminal specific functions are activated, such as
 – Watchdog Timer
 – Subscriber/Exchange Awake (SIP/**EAW**).

In this case the SIP/**EAW**-line is always an input signal which can serve as a request signal from the subscriber to initiate the awake function in a terminal.

A falling edge on the EAW-line generates an SAW interrupt (EXIR).

When the RSS-bit in the CIXR-register is zero, a falling edge on the EAW-line (Subscriber Awake) or a C/I-code change (Exchange Awake) initiates a reset pulse.

When the RSS-bit is set to one a reset pulse is triggered only by the expiration of the watchdog timer (see also CIXR-register description).

Note: The TSF-bit will be cleared only by hardware reset.

TBA2-0 TIC Bus Address

Defines the individual address for the ICC-B on the IOM-bus.

This address is used to access the C/I and D-channel on the IOM.

Note: One device liable to transmit in C/I and D-fields on IOM should always be given the address value “7”.

ST1 Synchronous Transfer 1

When set, causes the ICC-B to generate an SIN-interrupt status (ISTA register) at the beginning of an IOM-frame.

ST0 Synchronous Transfer 0

When set, causes the ICC-B to generate an SIN-interrupt status (ISTA register) at the middle of an IOM-frame.

SC1 Synchronous Transfer 1 Completed

After an SIN-interrupt the processor has to acknowledge the interrupt by setting the SC1-bit before the middle of the IOM-frame, if the interrupt was originated from a Synchronous Transfer 1 (ST1).

Otherwise an SOV-interrupt (EXIR register) will be generated.

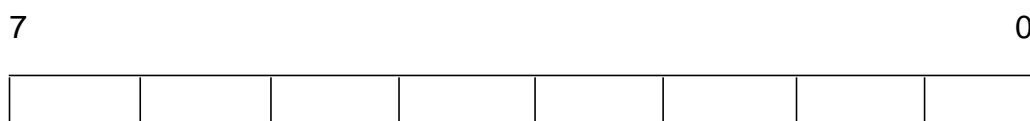
SC0 Synchronous Transfer 0 Completed

After an SIN-interrupt the processor has to acknowledge the interrupt by setting the SC0-bit before the start of the next IOM-frame, if the interrupt was originated from a Synchronous Transfer 0 (ST0).

Otherwise an SOV-interrupt (EXIR register) will be generated.

Note: ST0/1 and SC0/1 are useful for synchronizing MP-accesses and receive/transmit operations.

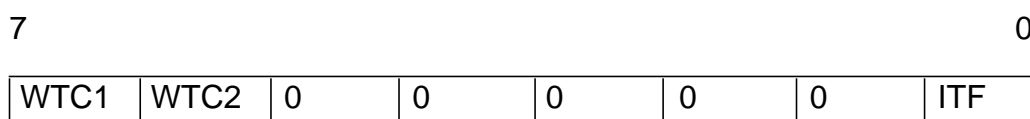
4.2.14 B2 Channel Register B2CR Read Address 38H



Contains the value received in the B2-channel, as if programmed (cf. C2C1, C2C0, SPCR-register).

4.2.15 Additional Feature Register 1 ADF1 Write Address 38H

Value after reset: 00H



WTC1, WTC2 Watchdog Timer Control 1, 2

After the watchdog timer mode has been selected (STCR:TSF = CIXR:RSS = 1) the watchdog timer is started.

During every time period of 128 ms the processor has to program the WTC1- and WTC2-bit in the following sequence:

	WTC1	WTC2
1.	1	0
2.	0	1

to reset and restart the watchdog timer.

If not, timer expires and a WOV-interrupt (EXIR) together with a reset pulse is generated.

ITF Inter-frame Time Fill

Selects the inter-frame time fill signal which is transmitted between HDLC-frames.

0: idle (continuous 1 s),

1: flags (sequence of patterns: "0111 1110")

Note: In TE- and LT-T-applications with D-channel access handling (collision resolution), the only possible inter-frame time fill signal is idle (continuous 1s). Otherwise the D-channel on the S/T-bus cannot be accessed.

4.2.16 Additional Feature Register 2 ADF2 Read/Write Address 39H

Value after reset: 00H

7							0
IMS	0	0	0	0	0	0	0

IMS IOM-mode selection

IOM-1 interface mode is selected when IMS = 0.

4.3 Special Purpose Registers: IOM-2 Mode

The following register description is only valid if IOM-2 is selected (ADF2:IMS-1). For IOM-1 mode refer to **chapter 4.2**.

4.3.1 Serial Port Control Register **SPCR** Read/Write Address 30H

Value after reset: 00H

7							0
SPU	0	SPM	TLP	C1C1	C1C0	C2C1	C2C0

Important Note: After a hardware reset the pins SDAX/SDS1 and SCA/FSD/SDS2 are both “low” and have the functions of SDS1 and SDS2 in terminal timing mode (since SPM = 0), respectively, until the SPCR is written to for the first time. From that moment, the function taken on by these pins depends on the state of the IOM Mode Select bit IMS (ADF2 register).

SPU Software Power UP. Used in TE-mode only.

Setting this bit to 1 and ADF1:IDC to 1 will pull the IDP1-line to low. This will enforce connected layer 1 devices to deliver IOM-clocking.

After power down in TE-mode the SPU-bit and the ADF1:IDC bit have to be set to “1” and then cleared again.

After a subsequent CIC-interrupt (C/I-code change; ISTA) and reception of the C/I-code “PU” (Power Up indication in TE-mode) the reaction of the processor would be:

- to write an Activate Request command as C/I-code in the CIX0-register.
- to reset the SPU and SQXR:IDC bits and wait for the following CIC-interrupt.

SPM Serial Port Timing Mode

0 Terminal mode; all three channels of the IOM-2 interface are used
application: TE-mode

1 Non-terminal mode; the programmed IOM-channel (ADF1:CSEL2-0) is used
applications: LT-T, LT-S modes (8 channels structure IOM-2)

TLP Test Loop

When set to 1 the IDP1 and IDP0-lines are internally connected together, and the times T1 and T2 are reduced (cf. TIMR).

C1C1, C1C0 Channel 1 Connect

Determines which of the two channels B1 or IC1 is connected to register C1R and/or B1CR, for monitoring, test-looping and switching data to/from the processor.

C1C1	C1C0	C1R		B1CR	Application(s)
		Read	Write	Read	
0	0	IC1	–	B1	B1-monitoring + IC1-monitoring
0	1	IC1	IC1	B1	B1-monitoring + IC1-looping from/to IOM
1	0	–	B1	B1	B1-access from/to S ₀ ; transmission of a constant value in B1-channel to S ₀ .
1	1	B1	B1	–	B1-looping from S ₀ ; transmission of a variable pattern in B1-channel to S ₀ .

C2C1, C2C0 Channel 2 Connect

Determines which of the two channels B2 or IC2 is connected to register C2R and/or B2CR, for monitoring, test-looping and switching data to/from the processor.

C2C1	C2C0	C2R		B2CR	Application(s)
		Read	Write	Read	
0	0	IC2	–	B2	B2-monitoring + IC2-monitoring
0	1	IC2	IC2	B2	B2-monitoring + IC2-looping from/to IOM
1	0	–	B2	B2	B2-access from/to S ₀ ; transmission of a constant value in B2-channel to S ₀ .
1	1	B2	B2	–	B2-looping from S ₀ ; transmission of a variable pattern in B2-channel to S ₀ .

Note: B-channel access is only possible in TE-mode.

4.3.2 Command/Indication Receive 0 CIR0 Read Address 31H

Value after reset: 7CH

7									0
0	BAS	C	O	D	R	0	CIC0	CIC1	

BAS Bus Access Status

Indicates the state of the TIC-bus:

0: the ICC-B itself occupies the D- and C/I-channel

1: another device occupies the D- and C/I-channel

CODR0 C/I code 0 Receive

Value of the received Command/Indication code. A C/I-code is loaded in CODR0 only after being the same in two consecutive IOM-frames and the previous code has been read from CIR0.

CIC0 C/I Code 0 Change

A change in the received Command/Indication code has been recognized. This bit is set only when a new code is detected in two consecutive IOM-frames. It is reset by a read of CIR0.

CIC1 C/I Code 1 Change

A change in the received Command/Indication code in IOM-channel 1 has been recognized. This bit is set when a new code is detected in one IOM-frame. It is reset by a read of CIR0.

CIC1 is only used if Terminal Mode is selected.

Note: The BAS and CODR0 bits are update every time a new C/I-code is detected in two consecutive IOM-frames.

If several consecutive valid new codes are detected and CIR0 is not read, only the first and the last C/I code (and BAS bit) is made available in CIR0 at the first and second read of that register, respectively.

4.3.3 Command/Indication Transmit 0 CIX0 Write Address 31H

Value after reset: 3FH

7									0
RSS	BAC	C	O	D	X	0	1	1	

RSS Reset Source Select

Only valid if the terminal specific functions are activated (STCR:TSF).

0 → Subscriber or Exchange Awake

As reset source serves:

- a falling edge on the EAW-line (External Subscriber Awake)
- a C/I code change (Exchange Awake).

A logical zero on the EAW-line activates also the IOM-interface clock and frame signal, just as the SPU-bit (SPCR) does.

1 → Watchdog Timer

The expiration of the watchdog timer generates a reset pulse.

The watchdog timer will be reset and restarted, when two specific bit combinations are written in the ADF1-register within the time period of 128 ms (see also ADF1 register description).

After a reset pulse generated by the ICC-B and the corresponding interrupt (WOV, SAW or CIC) the actual reset source can be read from the ISTA and EXIR-register.

BAC Bus Access Control

Only valid if the TIC-bus feature is enabled (MODE:DIM2-0).

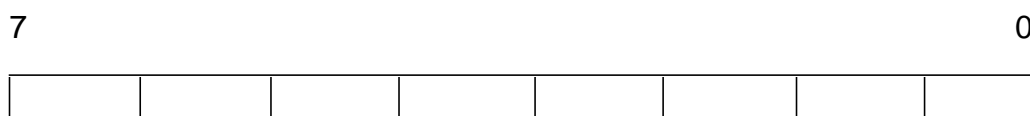
If this bit is set, the ICC-B will try to access the TIC-bus to occupy the C/I-channel even if no D-channel frame has to be transmitted. It should be reset when the access has been completed to grant a similar access to other devices transmitting in that IOM-channel.

Note: Access is always granted by default to the ICC-B with TIC-Bus Address (TBA2-0, STCR register) "7", which has the lowest priority in a bus configuration.

CODX0 C/I-Code 0 Transmit

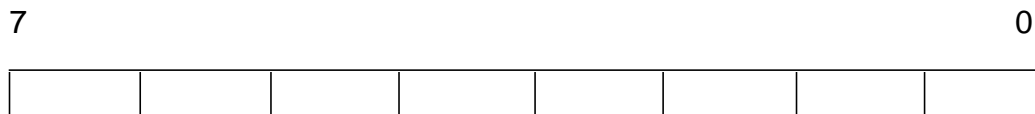
Code to be transmitted in the C/I-channel / C/I-channel 0.

4.3.4 MONITOR Receive Channel 0 MOR0 Read Address 32H



Contains the MONITOR data received in IOM-MONITOR Channel/ MONITOR channel 0 according to the MONITOR channel protocol.

4.3.5 MONITOR Transmit Channel 0 MOX0 Write Address 32H



Contains the MONITOR data transmitted in IOM-MONITOR Channel/ MONITOR channel 0 according to the MONITOR channel protocol.

4.3.6 Command/Indication Receive 1 CIR1 Read Address 33H



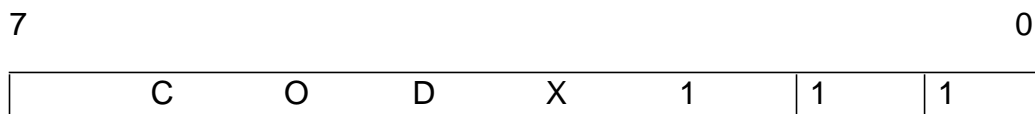
CODR1 C/I-Code 1 Receive; only valid in terminal mode (SPCR:SPM = 0)
Bits 7-2 of C/I-channel 1

MR1 MR Bit
Bit 1 of C/I-channel 1

MX1 MX Bit
Bit 0 of C/I/channel 1

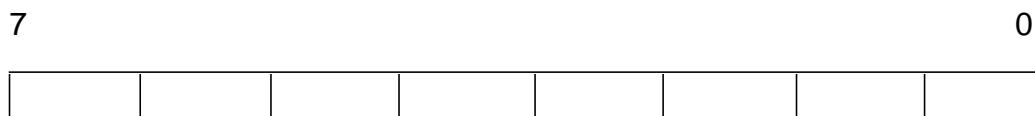
4.3.7 Command/Indication Transmit 1 CIX1 Write Address 33H

Value after reset: FF_H



CODX1 C/I-Code 1 Transmit; significant only in terminal mode (SPCR:SPM = 0).
Bits 7-2 of C/I-channel 1

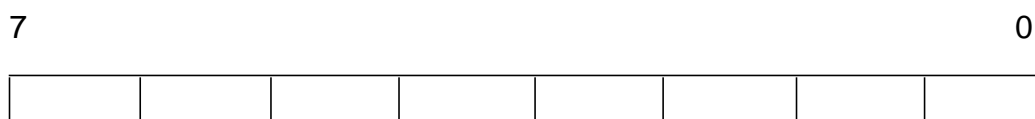
4.3.8 MONITOR Receive Channel 1 MOR1 Read Address 34H



Used only in terminal mode (SPCR:SPM = 0).

Contains the MONITOR data received in IOM-channel 1 according to the MONITOR channel protocol.

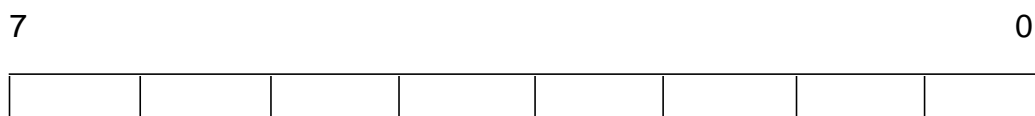
MONITOR Transmit Channel 1 MOX1 Write Address 34H



Used only in terminal mode (SPCR:SPM = 0).

Contains the MONITOR data to be transmitted in IOM-channel 1 according to the MONITOR channel protocol.

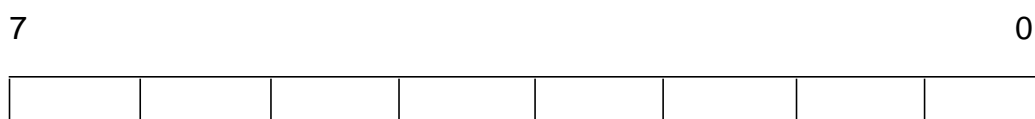
4.3.9 Channel Register 1 C1R Read/Write Address 35H



Used only in terminal mode (SPCR:SPM = 0).

Contains the value received/transmitted in IOM-channel B1 or IC1, as the case may be (cf. C1C1, C1C0, SPCR-register).

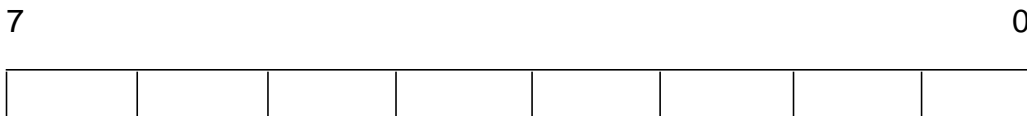
4.3.11 Channel Register 2 C2R Read/Write Address 36H



Used only in terminal mode (SPCR:SPM = 0).

Contains the value received/transmitted in IOM-channel B2 or IC2, as the case may be (cf. C2C1, C2C0, SPCR-register).

4.3.12 B1 Channel Register B1CR Read Address 37H

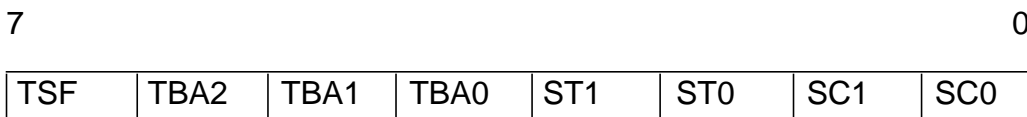


Used only in terminal mode (SPCR:SPM = 0).

Contains the value received in IOM-channel B1, if programmed (cf. C1C1, C1C0, SPCR-register).

4.3.13 Synchronous Transfer Control Register STCR Write Address 37H

Value after reset: 00H



TSF Terminal Specific Functions

0 → No terminal specific functions

1 → The terminal specific functions are activated, such as

- Watchdog Timer
- Subscriber/Exchange Awake (SIP/**EAW**).

In this case the SIP/**EAW**-line is always an input signal which can serve as a request signal from the subscriber to initiate the awake function in a terminal.

A falling edge on the **EAW**-line generates an SAW-interrupt (EXIR).

When the RSS-bit in the CIX0-register is zero, a falling edge on the **EAW**-line (Subscriber Awake) or a C/I-code change (Exchange Awake) initiates a reset pulse.

When the RSS-bit is set to one a reset pulse is triggered only by the expiration of the watchdog timer (see also CIX0-register description).

Note: The TSF-bit will be cleared only by a hardware reset.

TBA2-0 TIC Bus Address

Defines the individual address for the ICC-B on the IOM-bus.

This address is used to access the C/I- and D-channel on the IOM.

Note: One device liable to transmit in C/I- and D-fields on the IOM should always be given the address value "7".

ST1 Synchronous Transfer 1

When set, causes the ISAC-S to generate an SIN-interrupt status (ISTA-register) at the beginning of an IOM-frame.

ST0 Synchronous Transfer 0

When set, causes the ICC-B to generate an SIN-interrupt status (ISTA-register) at the middle of an IOM-frame.

SC1 Synchronous Transfer 1 Completed

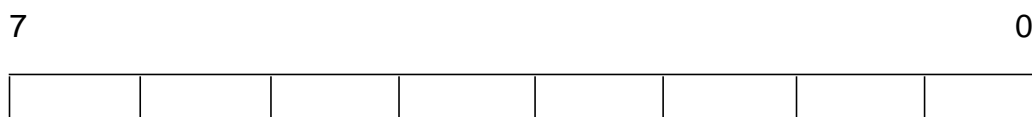
After an SIN-interrupt the processor has to acknowledge the interrupt by setting the SC1-bit before the middle of the IOM-frame, if the interrupt was originated from a Synchronous Transfer 1 (ST1).
Otherwise an SOV-interrupt (EXIR-register) will be generated.

SC0 Synchronous Transfer 0 Completed

After an SIN-interrupt the processor has to acknowledge the interrupt by setting the SC0-bit before the start of the next IOM-frame, if the interrupt was originated from a Synchronous Transfer 0 (ST0).
Otherwise an SOV-interrupt (EXIR-register) will be generated.

Note: ST0/1 and SC0/1 are useful for synchronizing MP-accesses and receive/transmit operations.

4.3.14 B2 Channel Register **B2CR** **Read** **Address 38H**



Used only in terminal mode (SPCR:SPM = 0).

Contains the value received in the IOM-channel B2, if programmed (cf. C2C1, C2C0, SPCR-register).

4.3.15 Additional Feature Register 1 ADF1 Write Address 38H

Value after reset: 00H

7							0
WTC1	WTC2	CI1E	IDC	CSEL2	CSEL1	CSEL0	ITF

WTC1, WTC2 Watchdog Timer Control 1, 2

After the watchdog timer mode has been selected (STCR:TSF = CIX0:RSS = 1) the watchdog timer is started.

During every time period of 128 ms the processor has to program the WTC1- and WTC2-bit in the following sequence:

	WTC1	WTC2
1.	1	0
2.	0	1

to reset and restart the watchdog timer.

If not, the timer expires and a WOV-interrupt (EXIR) together with a reset pulse is generated.

CI1E C/I-channel 1 interrupt enable

Interrupt generation of CIR0:CIC1 is enabled (1) or masked (0).

IDC IOM-direction control

Terminal mode (SPCR:SPM = 0)

0 ... Master mode
Layer-2 transmits IOM-channel 0 and 2 on IDP1, channel 1 on IDP0.

1 ... Slave mode
Layer-2 transmits IOM-channel 0, 1 and 2 on IDP1.

Non-Terminal mode (SPCR:SPM = 1)

0 ... normal mode
MONITOR, D- and C/I-channels are transmitted on IDP1 from layer-2 to layer-1

1 ... reversed mode
MONITOR, D- and C/I-channels are transmitted on IDP0 from layer-2 to the system.

CSEL2-0 Channel Select. Used in non-terminal mode (SPCR:SPM = 1).
 Select one IOM-channel out of 8, where the ICC-B is to receive/transmit.
 “000” channel 0 (first channel in IOM-frame)
 “001” channel 1
 ...
 “111” channel 7 (last channel in IOM-frame)

ITF Inter-Frame Time Fill
 Selects the inter-frame time fill signal which is transmitted between HDLC-frames.
 0: idle (continuous 1 s),
 1: flags (sequence of patterns: “0111 1110”)
Note: In TE- and LT-T-applications with D-channel access handling (collision resolution), the only possible inter-frame time fill signal is idle (continuous 1s). Otherwise the D-channel on the S/T-bus cannot be accessed.

4.3.16 Additional Feature Register 2 ADF2 Read/Write Address 39H

Value after reset: 00H

7							0
IMS	D2C2	D2C1	D2C0	ODS	D1C2	D1C1	D1C0

IMS IOM-mode selection

IOM-2 interface mode is selected when IMS = 1.

D2C2-0 Data strobe control; used in IOM-2 mode only.

D1C2-0 These bits determine the polarity of the two independent strobe signals SDS1 and SDS2 as follows:

DxC2	DxC1	DxC0	SDSx
0	0	0	always low
0	0	1	high during B1
0	1	0	high during B2
0	1	1	high during B1 + B2
1	0	0	always low
1	0	1	high during IC1
1	1	0	high during IC2
1	1	1	high during IC1 + IC2

The strobe signals allow standard combos or data devices to access a programmable channel.

Note: In non-terminal mode (SPCR:SPM = 1) IC1, IC2 correspond to B1, B2 channels of the IOM-channel as programmed to ADF1:CSEL 2 - 0 + 1.

ODS Output driver selection;

Tristate drivers (1) or open drain drivers (0) are used for the IOM-interface.

4.3.17 MONITOR Status Register

MOSR

Read

Address 3AH

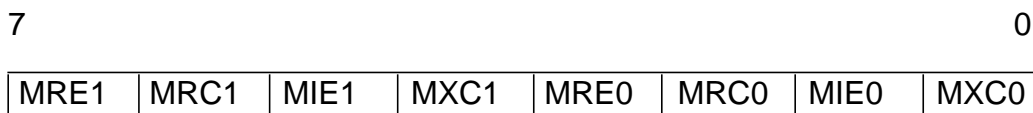
Value after reset: 00H

7							0
MDR1	MER1	MDA1	MAB1	MDR0	MER0	MDA0	MAB0

- MDR1** MONITOR channel 1 Data Received
- MER1** MONITOR channel 1 End of Reception
- MDA1** MONITOR channel 1 Data Acknowledged
The remote end has acknowledged the MONITOR byte being transmitted.
- MAB1** MONITOR channel 1 Data Abort
- MDR0** MONITOR channel 0 Data Received
- MER0** MONITOR channel 0 End of Reception
- MDA0** MONITOR channel 0 Data Acknowledged
The remote end has acknowledged the MONITOR byte being transmitted.
- MAB0** MONITOR channel 0 Data Abort

4.3.18 **MONITOR Control Register** **MOCR** **Write** **Address 3AH**

Value after reset: 00H



- MRC1,0** MR Bit Control (IOM-channel 1,0)
Determines the value of the MR-bit:
0.. MR always “1”. In addition, the MDR1/MDR0 interrupt is blocked, except for the first byte of a packet (if MRE 1/0=1).
1.. MR internally controlled by the ICC-B according to MONITOR channel protocol. In addition, the MDR1/MDR0-interrupt is enabled for all received bytes according to the MONITOR channel protocol (if MRE1,0=1).
- MXC1,0** MX Bit Control (IOM-channel 1,0)
Determines the value of the MX-bit:
0.. MX always “1”.
1.. MX internally controlled by the ICC-B according to MONITOR channel protocol.
- MIE1,0** MONITOR transmit interrupt enable (IOM-channel 1,0)
MONITOR interrupt status MER1/0, MDA1/0, MAB1/0 generation is enabled (1) or masked (0).
- MRE1,0** MONITOR receive interrupt enable (IOM-channel 1,0)
MONITOR interrupt status MDR1/MDR0 generation is enabled (1) or masked (0).

5 Electrical Characteristics

Absolute Maximum Ratings

Parameter	Symbol	Limit Values	Unit
Voltage on any pin with respect to ground	V_S	- 0.4 to $V_{DD} + 0.4$	V
Ambient temperature under bias	PEB 2070 T_A	0 to 70	°C
	PEF 2070 T_A	- 40 to 85	°C
Storage temperature	T_{stg}	- 65 to 125	°C

Note: Stresses above those listed here may cause permanent damage to the device. Exposure to absolute maximum rating conditions for extended periods may affect device reliability.

DC Characteristics

PEB 2070: $T_A = 0$ to 70 °C, $V_{DD} = 5$ V, $V_{SS} = 0$ V.

PEF 2070: $T_A = - 40$ to 85 °C, $V_{DD} = 5$ V, $V_{SS} = 0$ V.

Parameter		Symbol	Limit Values		Unit	Test Condition
			min.	max.		
L-input voltage		V_{IL}	- 0.4	0.8	V	
H-input voltage		V_{IH}	2.0	$V_{DD} + 0.4$	V	
L-output voltage		V_{OL}		0.45	V	$I_{OL} = 7$ mA pin IDP0, IDP1 $I_{OL} = 2$ mA all other pins
H-output voltage		V_{OH}	2.4		V	$I_{OH} = - 400$ μ A
H-output voltage		V_{OH}	$V_{DD} - 0.5$		V	$I_{OH} = - 100$ μ A
Power supply current	operational	I_{CC}		1.6 3.5 8.0	mA mA mA	DLC: 512 kHz DLC: 1536 kHz DLC: 4096 kHz $V_{DD} = 5$ V inputs at 0 V/ V_{DD} no output loads
	power down			0.6	mA	
Input leakage current		I_{LI}		10	μ A	0 V < V_{IN} , V_{DD} to 0 V
Output leakage current		I_{LO}				0 V < $V_{OUT} < V_{DD}$ to 0 V

Capacitances

$T_A = 25\text{ }^\circ\text{C}$, $V_{DD} = 5\text{ V} \pm 5\%$, $V_{SS} = 0\text{ V}$, $f_C = 1\text{ MHz}$, unmeasured pins returned to GND.

Parameter	Symbol	Limit Values		Unit
		typ.	max.	
Input capacitance	C_{IN}	5	10	pF
Output capacitance $f_C = 1\text{ MHz}$	C_{OUT}	8	15	pF
I/O capacitance $f_C = 1\text{ MHz}$	C_{IO}	10	20	pF

AC Characteristics

PEB 2070: $T_A = 0\text{ to }70\text{ }^\circ\text{C}$, $V_{DD} = 5\text{ V} \pm 5\%$

PEF 2070: $T_A = -40\text{ to }85\text{ }^\circ\text{C}$, $V_{DD} = 5\text{ V} \pm 5\%$

Inputs are driven to 2.4 V for logical “1” and to 0.4 V for a logical “0”. Timing measurements are made at 2.0 V for a logical “1” and 0.8 V for a logical “0”. The AC testing input/output waveforms are shown below.

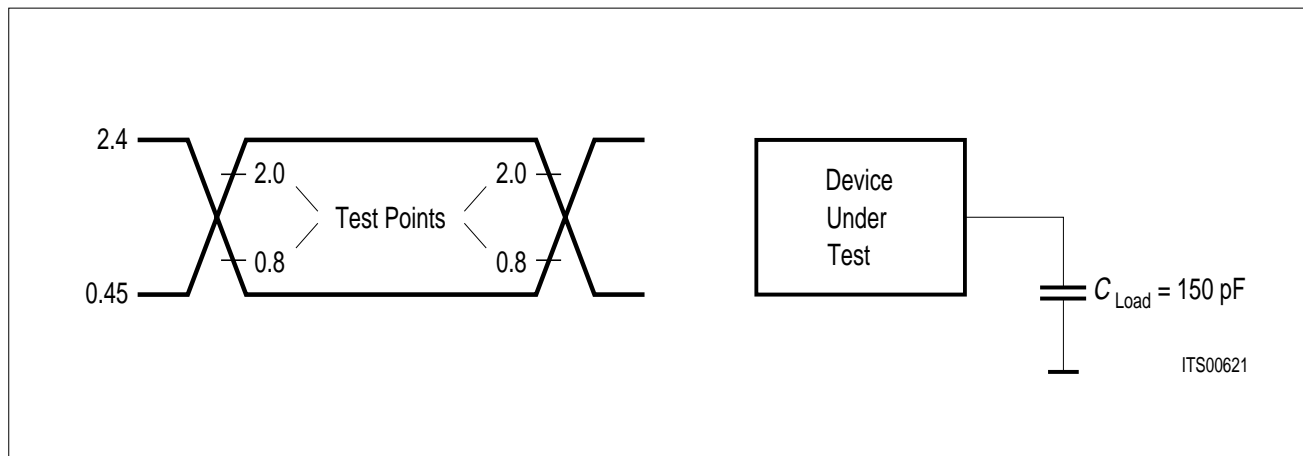


Figure 34
Input/Output Waveform and Load Circuit for AC Tests

Microprocessor Interface Timing

Siemens/Intel Bus Mode

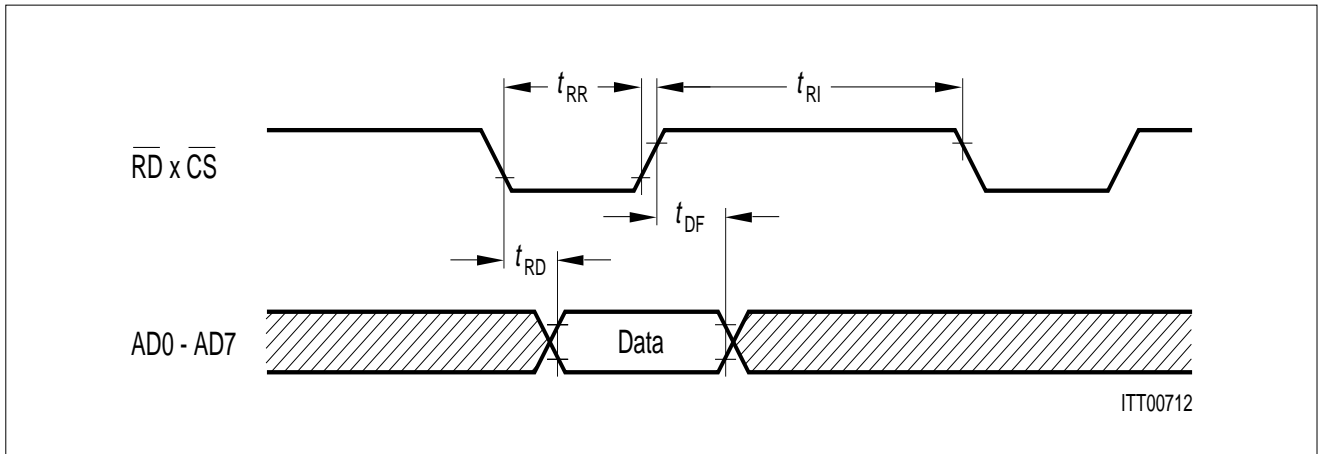


Figure 35
μP Write Cycle

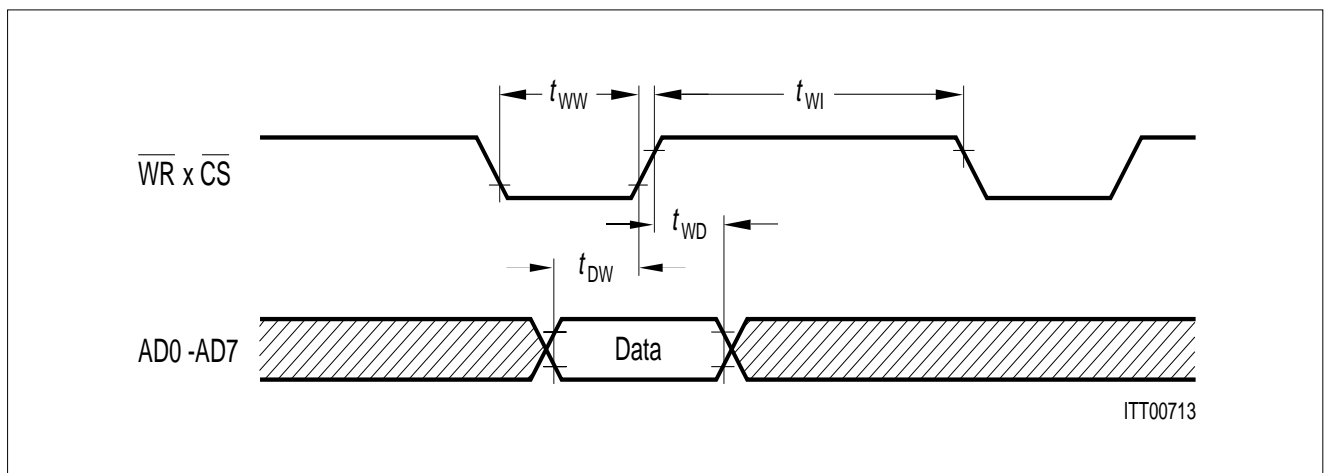


Figure 36
μP Write Cycle

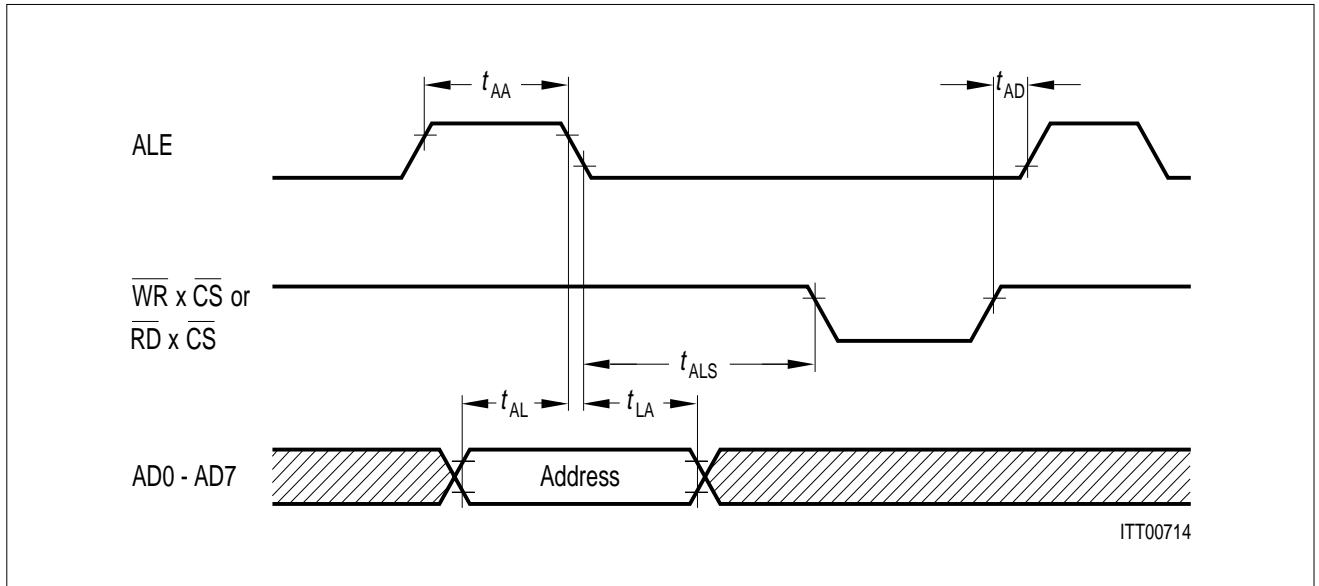


Figure 37
Multiplexed Address Timing

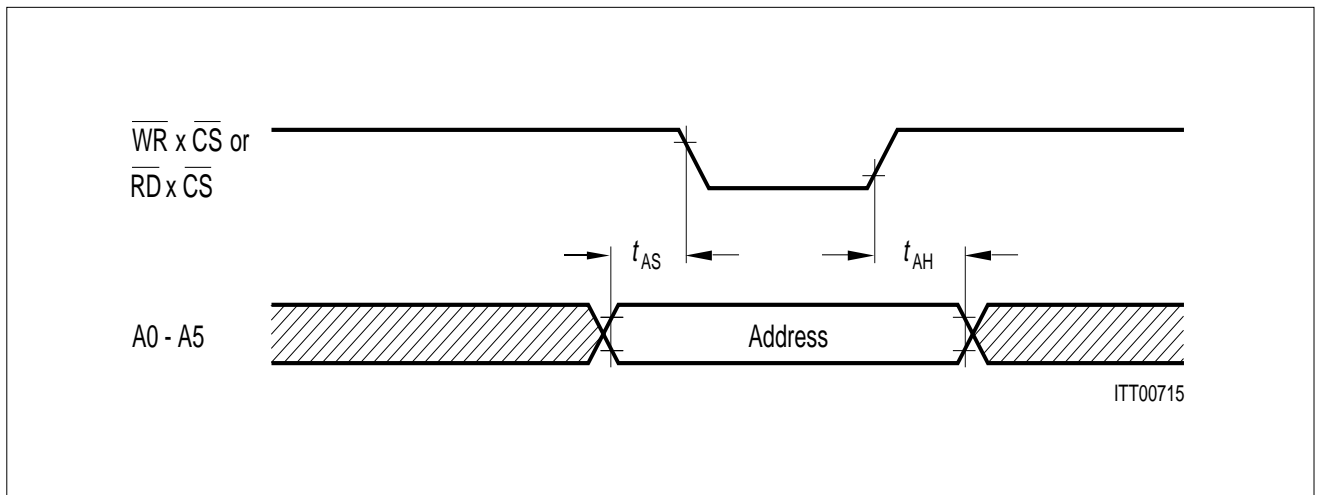


Figure 38
Non-Multiplexed Address Timing

Motorola Bus Mode

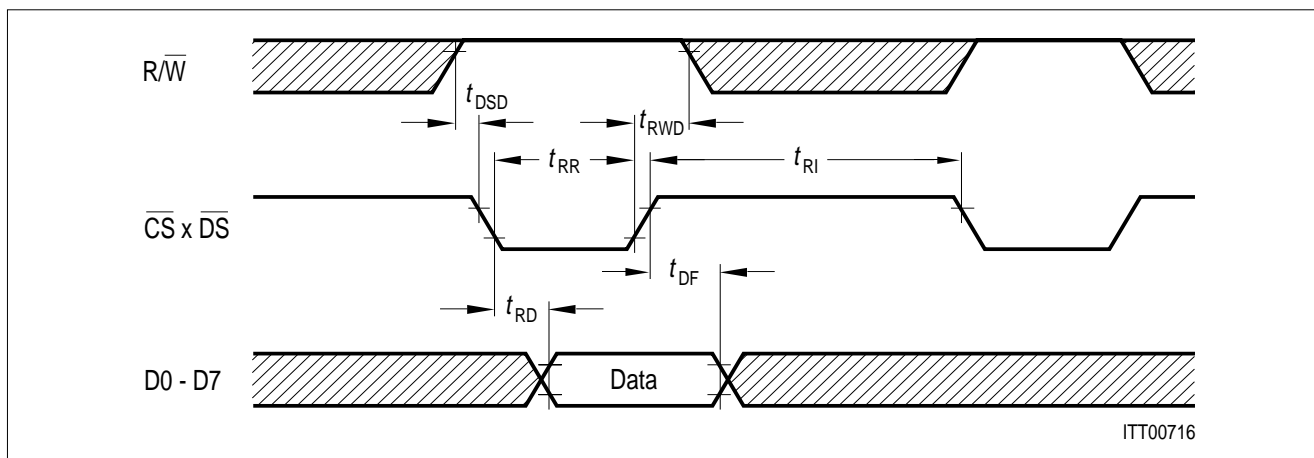


Figure 39
μP Read Cycle

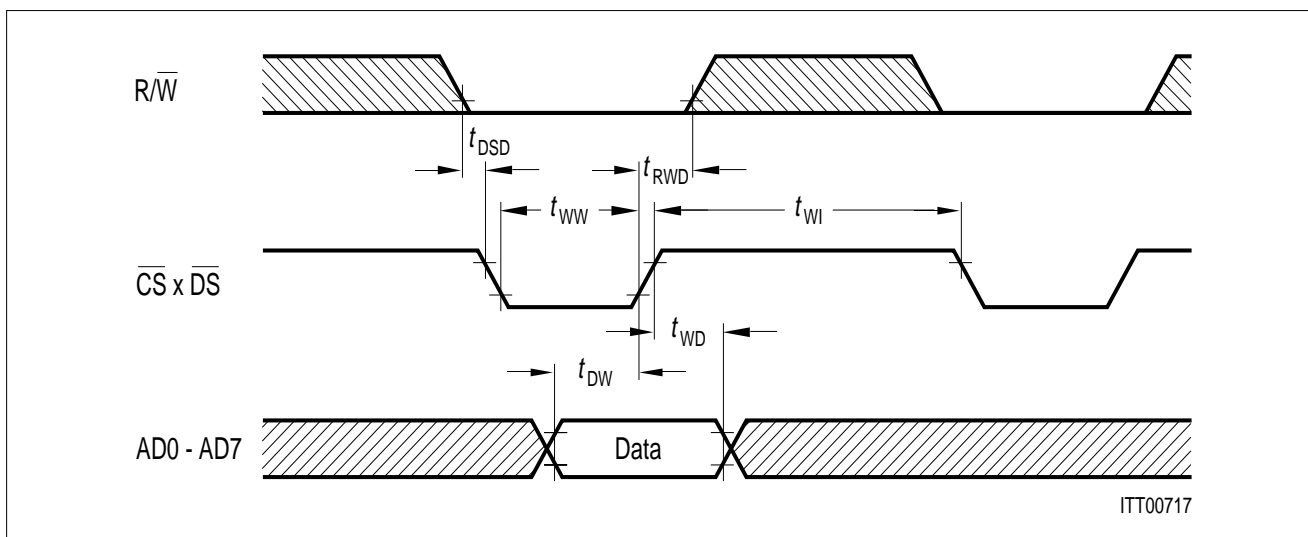


Figure 40
μP Write Cycle

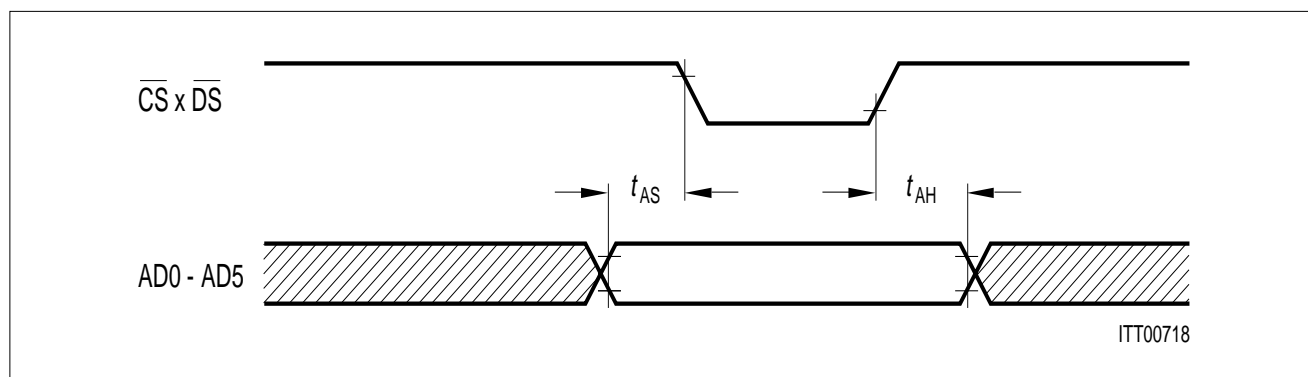


Figure 41
Address Timing

Parameter and Values of the Bus Modes

Parameter	Symbol	Limit Values		Unit
		min.	max.	
ALE pulse width	t_{AA}	30		ns
Address setup time to ALE	t_{AL}	20		ns
Address hold time from ALE	t_{LA}	10		ns
Address latch setup time to \overline{WR} , \overline{RD}	t_{ALS}	0		ns
Address setup time to \overline{WR} , \overline{RD}	t_{AS}	35		ns
Address hold time from \overline{WR} , \overline{RD}	t_{AH}	20		ns
ALE pulse delay	t_{AD}	15		ns
\overline{DS} delay after R/ \overline{W} setup	t_{DSD}	0		ns
\overline{RD} pulse width	t_{RR}	110		ns
Data output delay from \overline{RD}	t_{RD}		110	ns
Data float from \overline{RD}	t_{DF}		25	ns
\overline{RD} control interval	t_{RI}	70		ns
\overline{WR} pulse width	t_{WW}	60		ns
Data setup time to $\overline{WR} \times \overline{CS}$	t_{DW}	25		ns
Data hold time from $\overline{WR} \times \overline{CS}$	t_{WD}	10		ns
\overline{WR} control interval	t_{WI}	70		ns

Serial Interface Timing

IOM[®] Timing

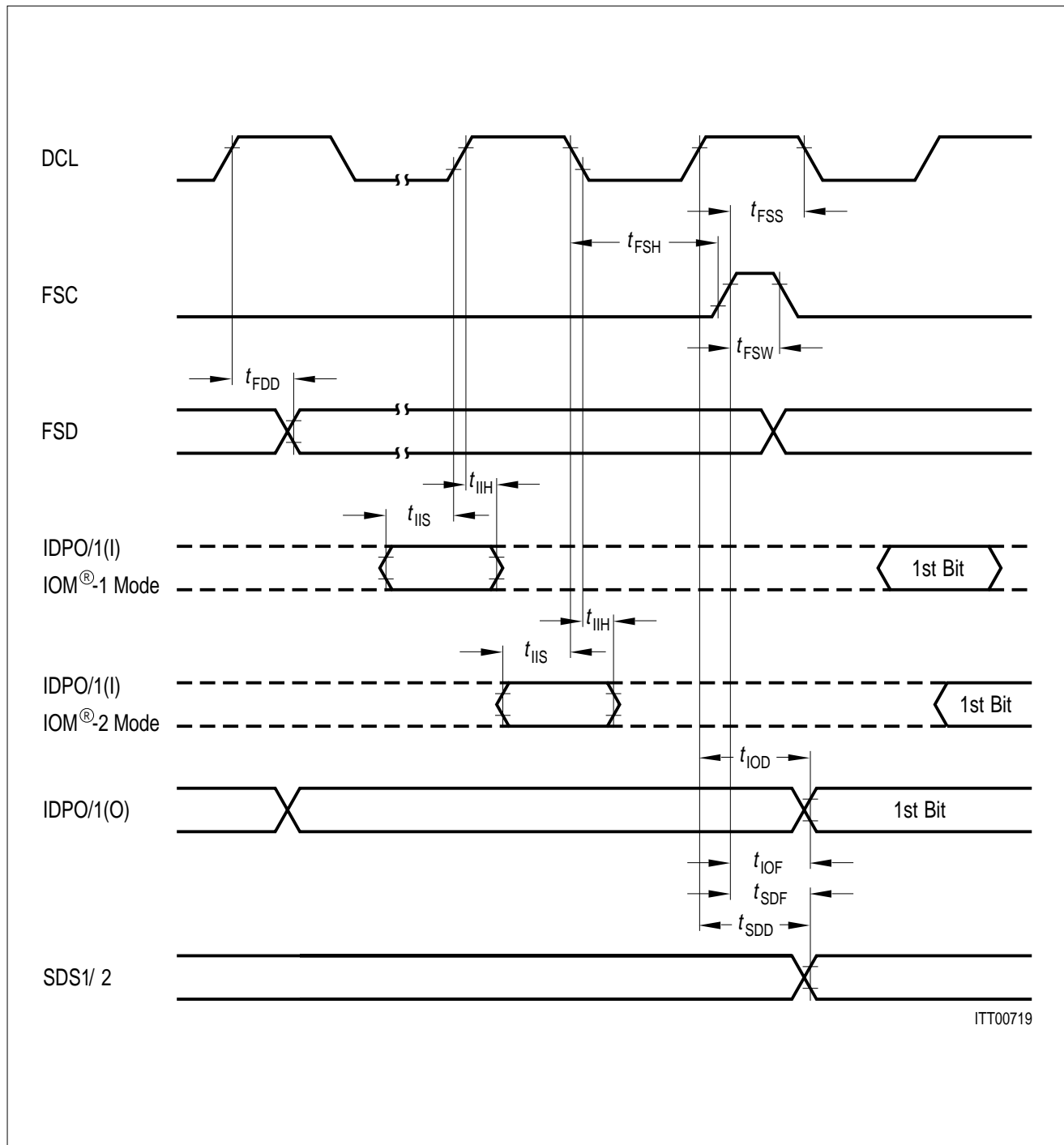


Figure 42
IOM[®] Timing

IOM[®] Mode

Parameters and Values of IOM Mode

Parameter	Symbol	Limit Values		Unit	Test Condition
		min.	max.		
IOM output data delay	t_{IOD}	20 20	140 100	ns	IOM-1 IOM-2
IOM input data setup	t_{IIS}	40 20		ns	IOM-1 IOM-2
IOM input data hold	t_{IIH}	20		ns	
IOM output from FSC	t_{IOF}		80	ns	See note
Strobe signal delay	t_{SDD}		120	ns	
Strobe delay from FSC	t_{SDF}		120	ns	See note
Frame sync setup	t_{FSS}	50		ns	
Frame sync hold	t_{FSH}	30		ns	
Frame sync width	t_{FSW}	40		ns	
FSD delay	t_{FDD}	20	140	ns	

Note: This delay is applicable in two cases only:

- 1) When FSC appears for the first time, e.g. at system power-up
- 2) When FSC appears before the expected start of a frame

HDLC Mode

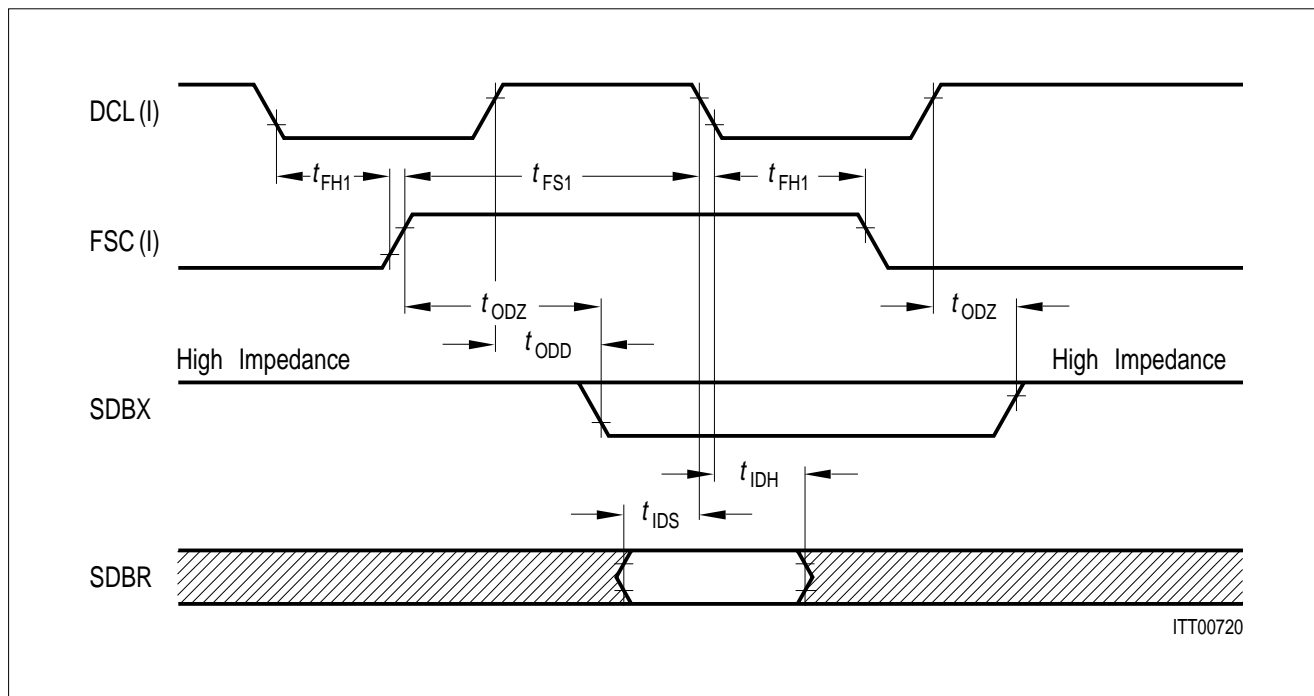


Figure 43
FSC (Strobe) Characteristics

Parameter	Symbol	Limit Values		Unit
		min.	max.	
FSC set-up time	t_{FS1}	100	$t_{CPH} + 70$	ns
FSC hold time	t_{FH1}	30		ns
Output data from high impedance to active	t_{OZD}		80	ns
Output data from active to high impedance	t_{ODZ}		40	ns
Output data delay from DCL	t_{ODD}	20	100	ns
Input data setup	t_{IDS}	10		ns
Input data hold	t_{IDH}	30		ns

Serial Port A (SSI) Timing

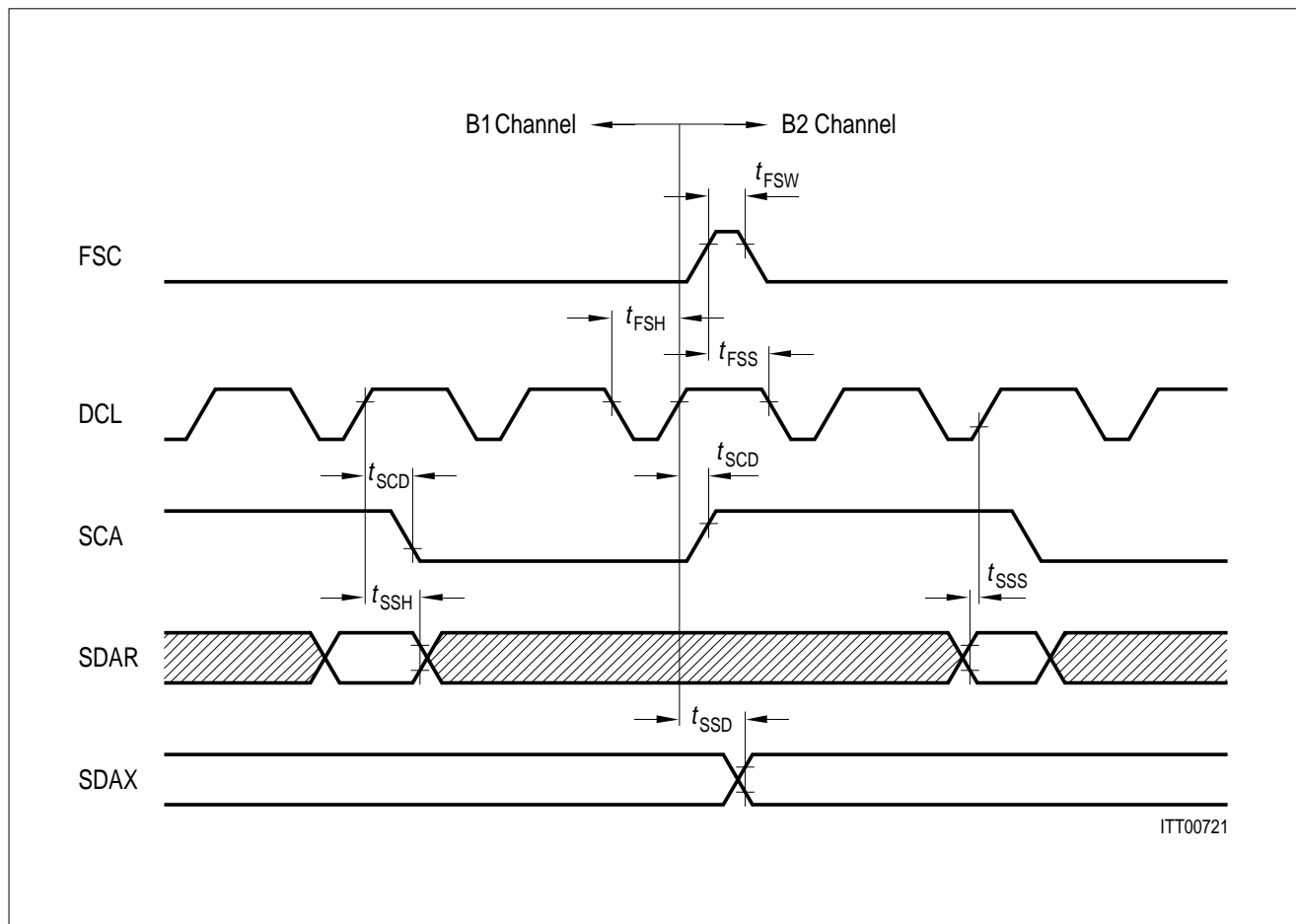


Figure 44
SSI Timing

Parameter	Symbol	Limit Values		Unit
		min.	max.	
SCA clock delay	t_{SCD}	20	140	ns
SSI data delay	t_{SSD}	20	140	ns
SSI data setup	t_{SSS}	40		ns
SSI data hold	t_{SSH}	20		ns
Frame sync setup	t_{FSS}	50		ns
Frame sync hold	t_{FSH}	30		ns
Frame sync width	t_{FSW}	40		ns

SLD Timing

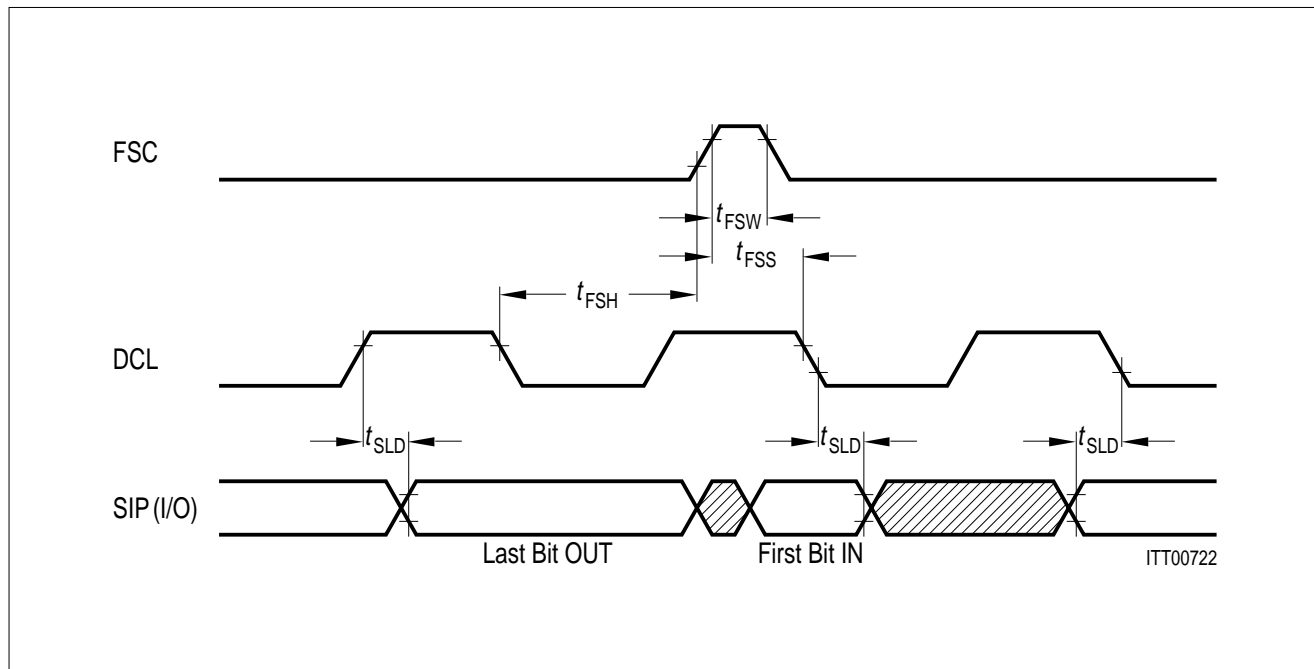


Figure 45
SLD Timing

Parameter	Symbol	Limit Values		Unit
		min.	max.	
SLD data delay	t_{SLD}	20	140	ns
SLD data setup	t_{SLS}	30		ns
SLD data hold	t_{SLH}	30		ns
Frame sync setup	t_{FSS}	50		ns
Frame sync hold	t_{FSH}	30		ns
Frame sync width	t_{FSW}	40		ns

Clock Timing

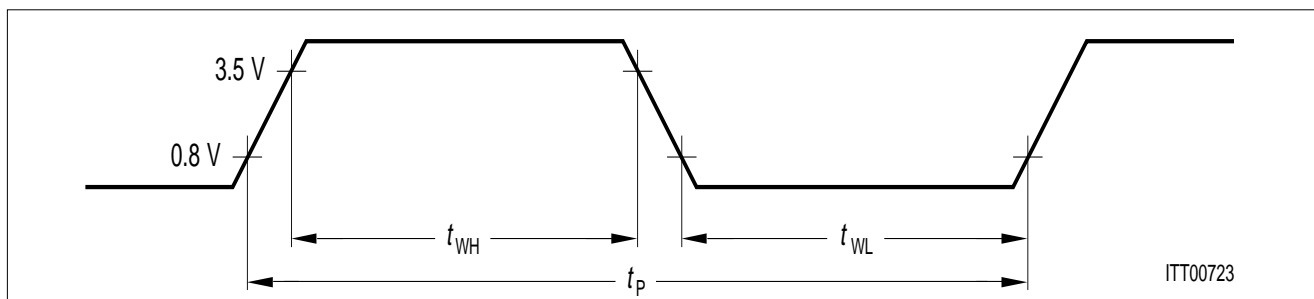


Figure 46
Definition of Clock Period and Width

Parameter	Symbol	Limit Values		Unit	Test Condition
		min.	max.		
Clock period	t_p	1000		ns	IOM-1
Clock width high	t_{WH}	200		ns	IOM-1
Clock width low	t_{WL}	200		ns	IOM-1
Clock period	t_p	240		ns	IOM-2
Clock width high	t_{WH}	100		ns	IOM-2
Clock width low	t_{WL}	100		ns	IOM-2

Reset

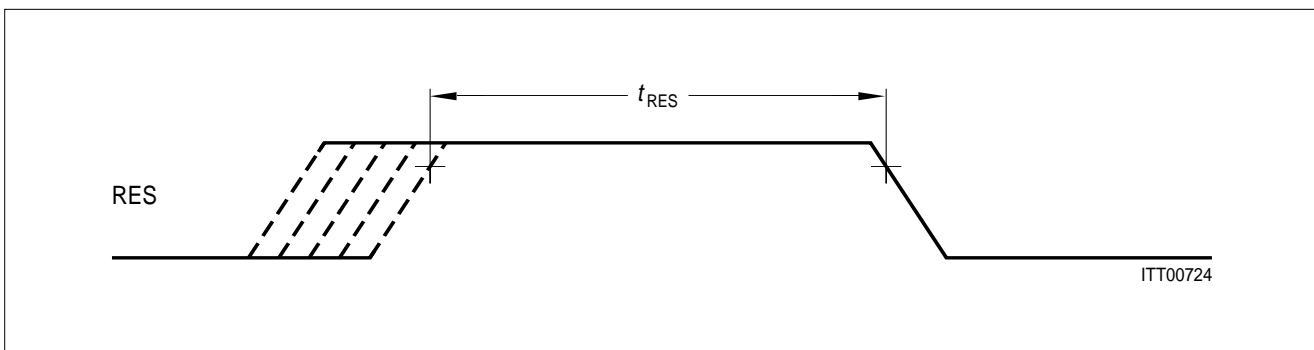
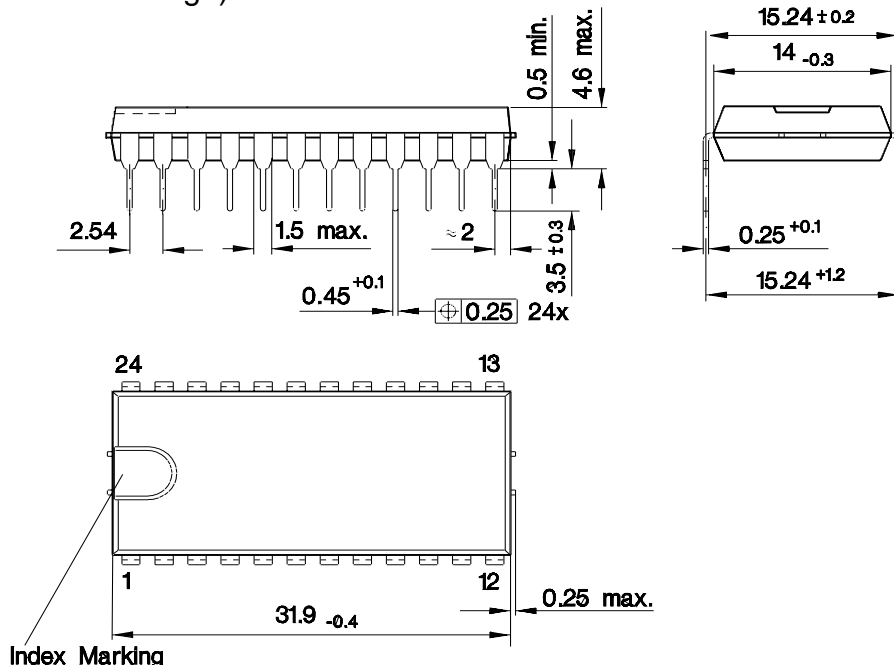


Figure 47
Reset Signal Characteristics

Parameter	Symbol	Limit Values	Test Condition
		min.	
Length of active high state	t_{RES}	2 x DCL clock cycles	During power up

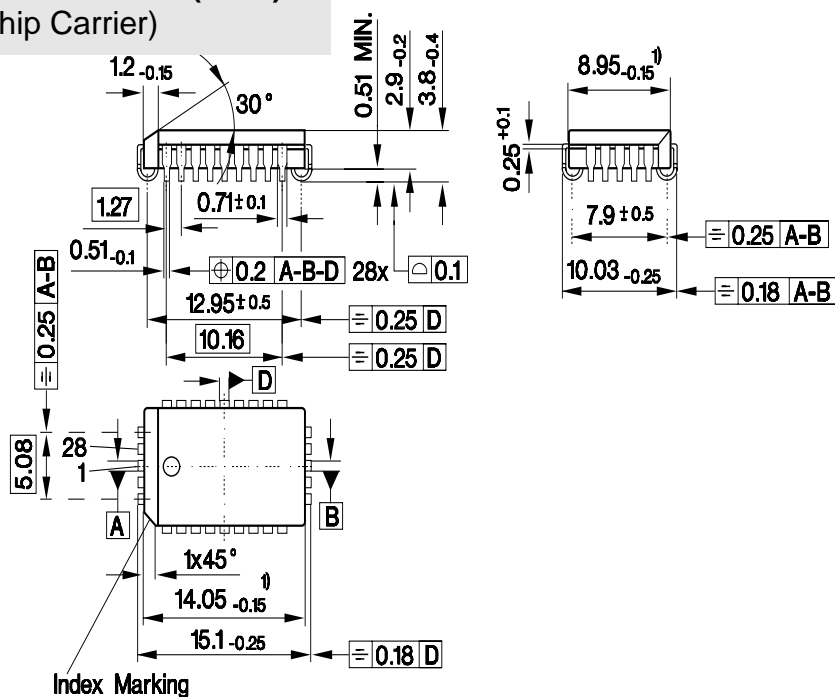
6 Package Outlines

Plastic Package, P-DIP-24 (Plastic Dual-In-Line Package)



GPD05034

Plastic Package, P-LCC-28-R (SMD) (Plastic-Leaded Chip Carrier)



1) Does not include plastic or metal protrusion of 0.15 max. per side

GPL05018

Sorts of Packing

Package outlines for tubes, trays etc. are contained in our Data Book "Package Information"

SMD = Surface Mounted Device

Dimensions in mm